

SDP Series

Solenoid dosing pumps



DOSEURO®

The right dosing choice



SDP Series

Nowadays dosage of liquid chemical requires still greater precision and versatility of the equipment.

Doseuro has constantly developed motor driven dosing pumps since 1984 under the flag of latest technologies continuously upgrading accuracy and reliability, while keeping reasonable cost of spare parts and easy maintenance facility.

The SDP family of solenoid metering pumps is the true complement to the well known and wide range of Doseuro pumps providing an alternative solution in lower rates application field where end users look forward reliable results and simple operation.

Use of integrated microprocessor and related flexibility makes the SDP family extremely complete and suitable in such many different cases of constant and proportional dosage with a bounded number of models.

Doseuro has a global network of Partners very close to their own market and highly professional and skilled in dosing application. They can drive our end user to best choice of our product.



COMMON FEATURES AND ACCESSORIES

- Foot mounted dosing pump
- Corrosion-proof reinforced polypropylene housing
- Solid PTFE diaphragm
- Water-resistant IP65 protection
- Wide choice of liquids and materials: PP; PVC; S.S.316; PTFE; PVDF
- Standard power supply: 230V 50/60 Hz
On request: 24V d.c., 12V d.c., 24V a.c., 110V 50/60 Hz

All chemical dosing pumps are complete of accessories to improve the operating and accuracy of the chemical dosing pump:

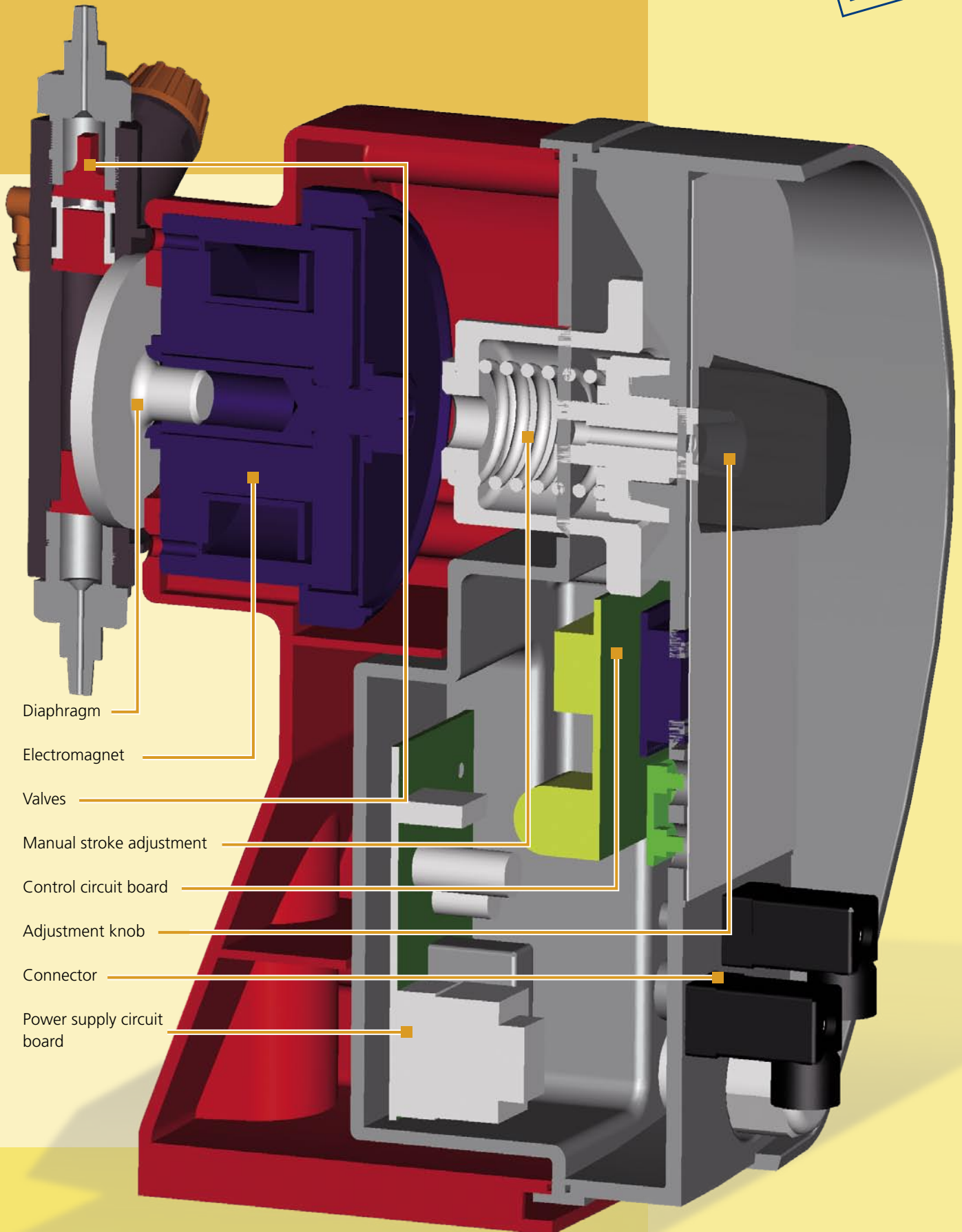
- Injection valve
- 1,5 suction pipe
1,5 delivery pipe
- Strainer

HOW TO READ THE PUMP CODE

1 st	2 nd	3 rd	4 th	5 th	6 th
SMC	R	210	02	AA	S

- 1st Series / Type
- 2nd "R" only with manual adjustment
- 3rd Hydraulic code
- 4th Material execution
- 5th Add-on
- 6th Other option

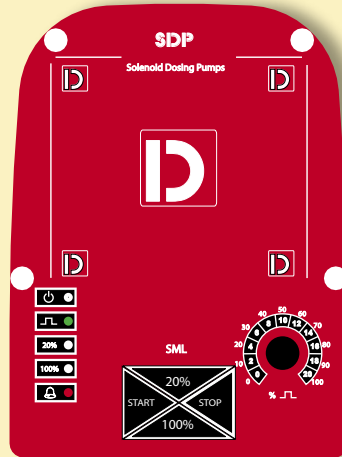
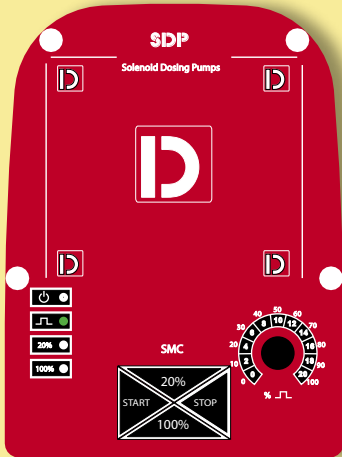
Solenoid dosing pumps



- Diaphragm
- Electromagnet
- Valves
- Manual stroke adjustment
- Control circuit board
- Adjustment knob
- Connector
- Power supply circuit board



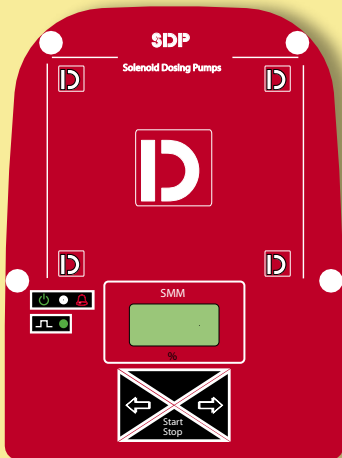
SDP Series



SMC / SML

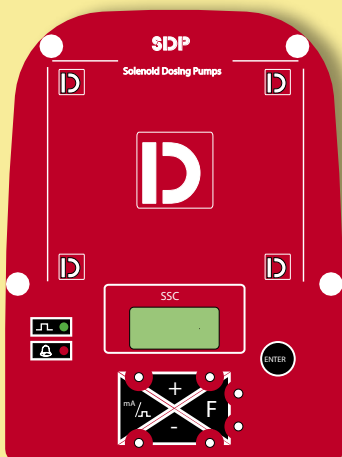
Analogic dosing pump. Potentiometer manual adjustment range 10-100% with double regulating scale.

The SML version is predisposed for level control setting (supplied without probe).



SMM

Digital dosing pump. Operating function regulated by microprocessor. Manual flow rate adjustment with 3 digit display from 0-100%. Level control setting (supplied without probe).

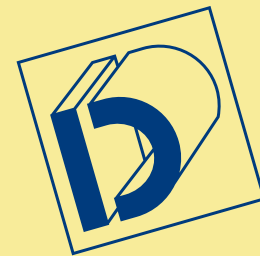


SSC

Digital dosing pumps. Operating function regulated by microprocessor. 3 digit display.

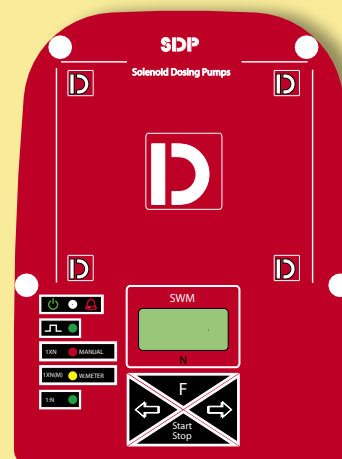
Capacity adjustment by incoming signal configured by user between 0-20mA. Level control setting (supplied without probe).

Solenoid dosing pumps



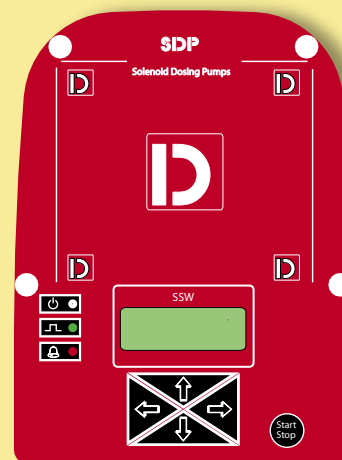
SWM

Digital dosing pump. Operating function regulated by microprocessor and with 3 digit display. Capacity with manual adjustment or proportional by digital signal. (Flowmeter with output signal) different function:
Pulse multiplier: 1x n
Pulse divider: 1: n
Pulse multiplier with memory; 1 x n-M
Level control setting (supplied without probe).



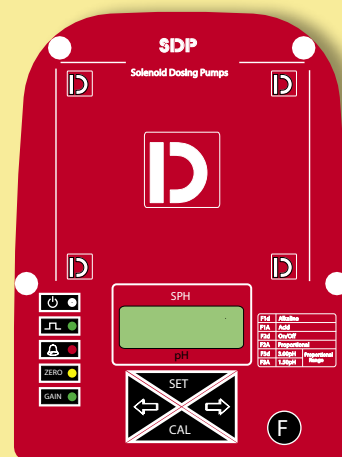
SSW

Digital dosing pump. Operating function regulated by microprocessor and display LCD 12X2. Multifunction or proportional by incoming digital or analogic 0-20 mA signal; 1 x n; 1: n; 1 x n-M



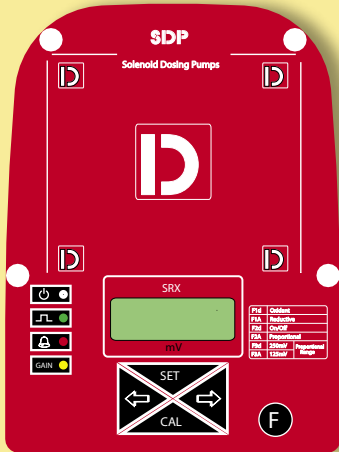
SPH

Dosing pump built in PH instrument, with operating function regulated by microprocessor. PH survey and potential control, range 0,00 – 14,00 PH
4 digit LCD display
Temperature compensation 0 –100°C
ON-OFF – proportional mode
4-20 mA output
Level control setting (supplied without probe).





SDP Series



SRX

Dosing pump built in Rx instrument, with operating function regulated by microprocessor.

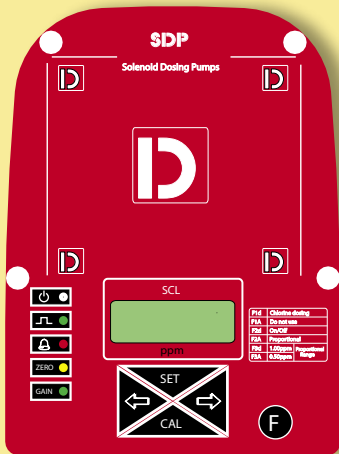
Redox survey and potential control, range 0-1000 mV

4 digit LCD display

ON-OFF and proportional operation mode

Output 4-20 mA

Level control setting (supplied without probe)



SCL

Dosing pump built in CL instrument, with operating function regulated by microprocessor.

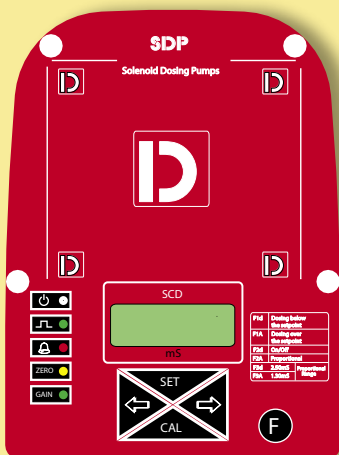
CL survey and concentration control range 0,00-10,00 ppm (mg/l)

LCD display

ON-OFF and proportional operation mode

Output 4-20 mA

Level control setting (supplied without probe).



SCD

Dosing pump built in CD instruments, with operating function regulated by microprocessor.

Survey and conductivity control, range 0-1000 and 0-10.000 micro siemens

Temperature compensation

ON-OFF and proportional operation mode

Output 4-20 mA

Level control setting (supplied without probe).

CD probe included.

Solenoid dosing pumps

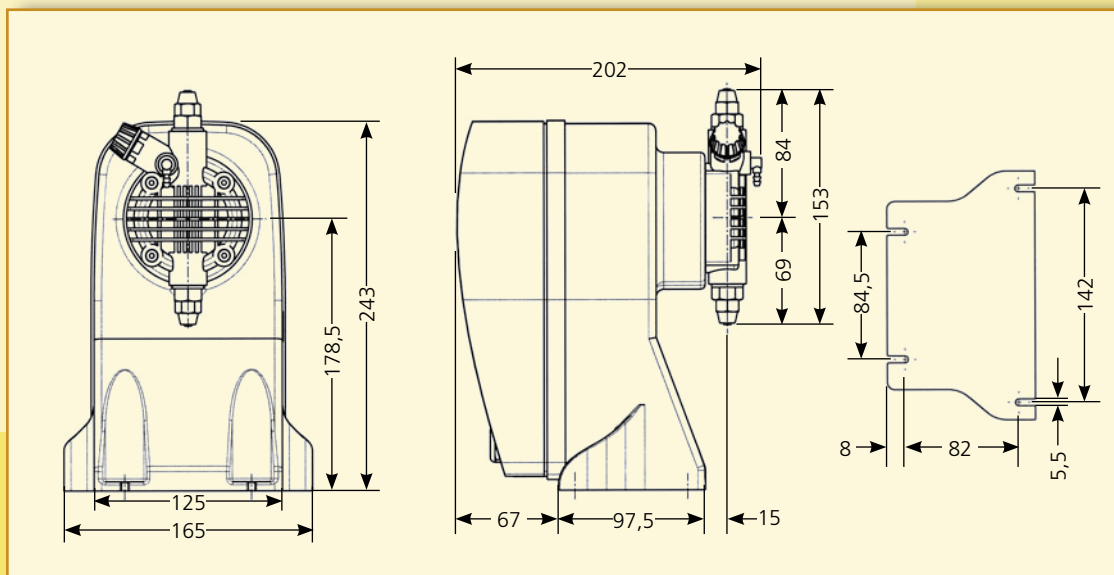


TECHNICAL CHARACTERISTICS

TYPE	Max flow		Max press	Stroke	Max imp min	Power absorb.	Current absorb.	Connection	Suction height	Net weight
	lt / h	ml / imp	bar		imp / min					
115	1	0,14	15	0,8	120	37	0,16	06/04	2	3,5
	2	0,28	10							
	3	0,42	5							
	5	0,69	2							
210	2	0,28	10	0,8	120	37	0,16	06/04	2	3,5
	3	0,42	7							
	5	0,69	4							
	7	0,97	2							
220	2	0,28	20	1	120	58	0,25	06/04	2	3,5
	3	0,42	10							
	4	0,56	5							
	5	0,69	3							
507	5	0,69	7	1	120	37	0,16	06/04	2	3,5
	7	0,97	4							
	8	1,11	2							
512	5	0,69	12	1	120	58	0,25	06/04	2	4,1
	7	0,97	5							
	10	1,39	2							
810	8	1,11	10	1,4	120	58	0,25	06/04	2	4,1
	10	1,39	5							
	13	1,81	2							
154	15	2,08	4	2,2	120	58	0,25	06/04	2	4,1
	16	2,22	2							
	17	2,36	1							
203	20	2,78	3	2,2	120	58	0,25	06/04	2	4,1
	22	3,05	1							

The indicated capacity value is subject to changes due to the working pressure, the dosed liquid and the viscosity.

GENERAL OVERALL DIMENSIONS





Our range of production also includes:

SR series:

- Plunger dosing pumps "A" types
- Hydraulic diaphragm dosing pumps "B", "BR" and "SD" types
- Mechanical diaphragm dosing pumps "D" types
- Mechanical diaphragm dosing pumps "FM" types

PDP series:

- Positive displacement dosing pump "AI" and "SDI" types
- High pressure positive displacement dosing pump "AP-AI" types

H series:

- Automatic plants for dissolution and preparation of powder polyelectrolytes "HA", "HB" types

EM series:

- Electric mixers for chemical mixing "DMT", "DEM", "DRV" and "DRC" types



HEAD OFFICE

Via G. Carducci 141
20093 Cologno Monzese (MI) Italy
Tel.: +39 02 27301324
Fax: +39 02 26700883
e-mail: info@doseuro.com
www.doseuro.com

DOSEURO (UK) LTD.

Unit 8, East Road Industrial Estate
Sleaford, Lincolnshire NG34 7EH
Tel.: +44 1529 300045
Fax: +44 1529 410967
e-mail: info@doseuro.co.uk
www.doseuro.co.uk



DOSEURO®
The right dosing choice