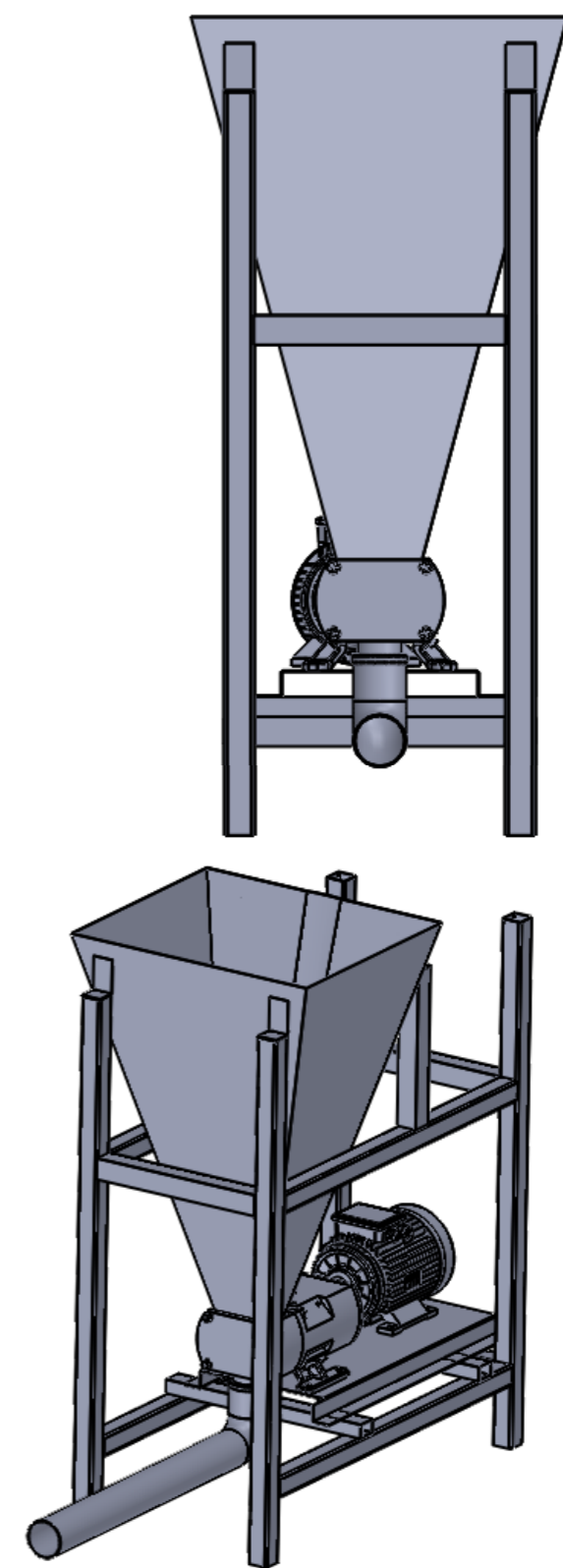
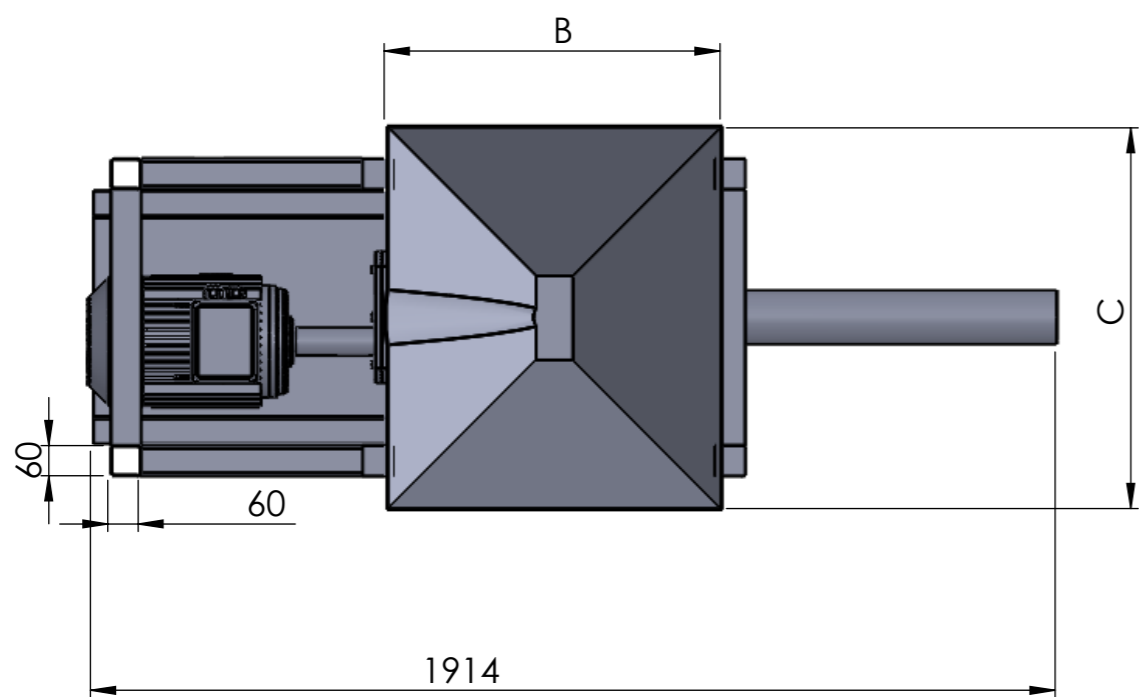
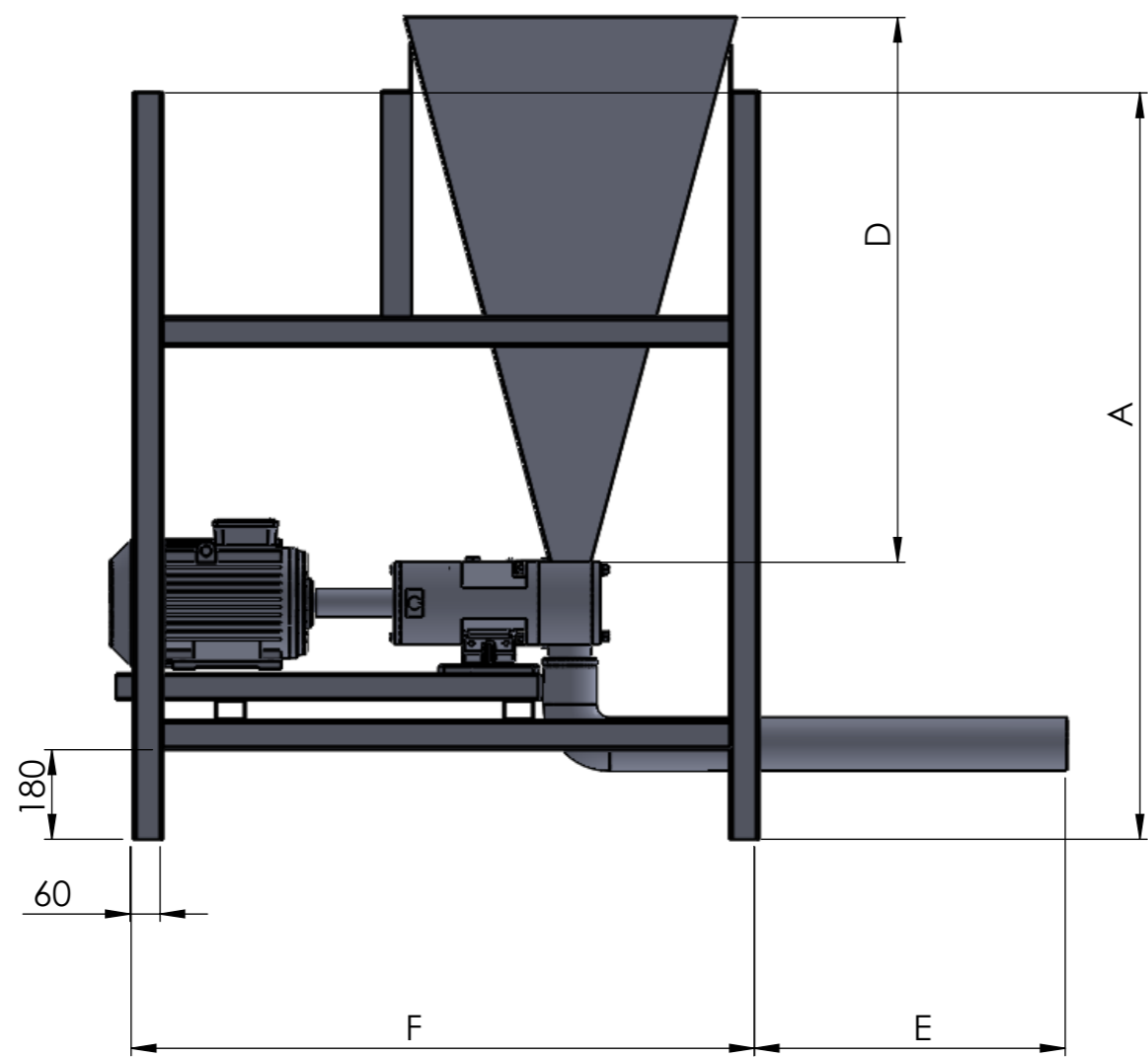


8 7 6 5 4 3 2 1

F  
E  
D  
C  
B  
A

F  
E  
D  
C  
B  
A



A	B	C	D	E	F	WEIGHT(KG)
1500	666	760	1110	650	1252	220
2000	903	997	1560	800	1350	530

Stainless steel chassis, Funnel, Control panel, FDP C-80  
 Lobe pump, Motor, Reducer, Pressure gauge (to increase and decrease the speed according to the pressure), Sensor (to stop the pump when the funnel is empty and start it again when product is delivered)

Approximate pallet dimensions: 150x230x230 cm  
 Approximate pallet weight: 300 kg



8 7 6 5 4 3 2 1