

**PARTS MANUAL**

# Hydra-Cell<sup>®</sup>

## INDUSTRIAL PUMPS

**IMPORTANT**

Record your pump model number and serial number here for easy reference:

Model No. \_\_\_\_\_

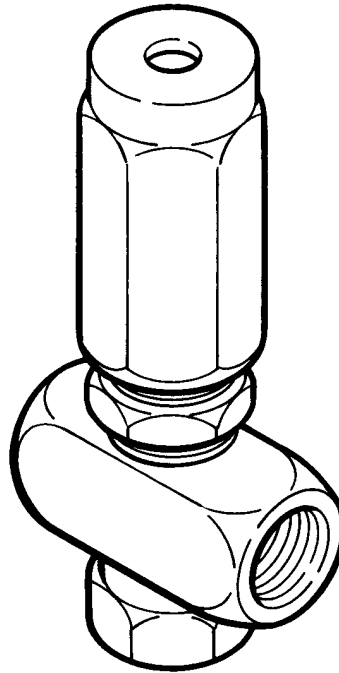
Serial No. \_\_\_\_\_

Date of Purchase \_\_\_\_\_

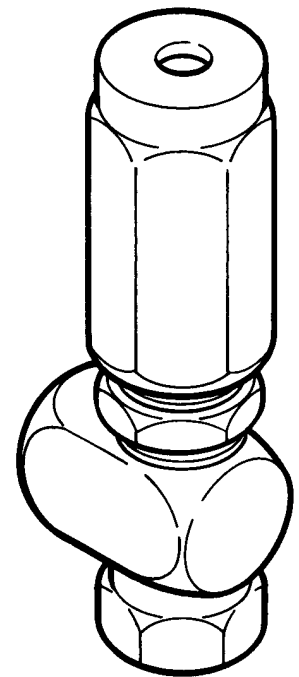
When ordering parts or making inquiries about this pump, please mention the model and serial numbers.

### **MODEL: C-46**

### **PRESSURE REGULATING VALVES**



**In-Line**



**Off-Line**

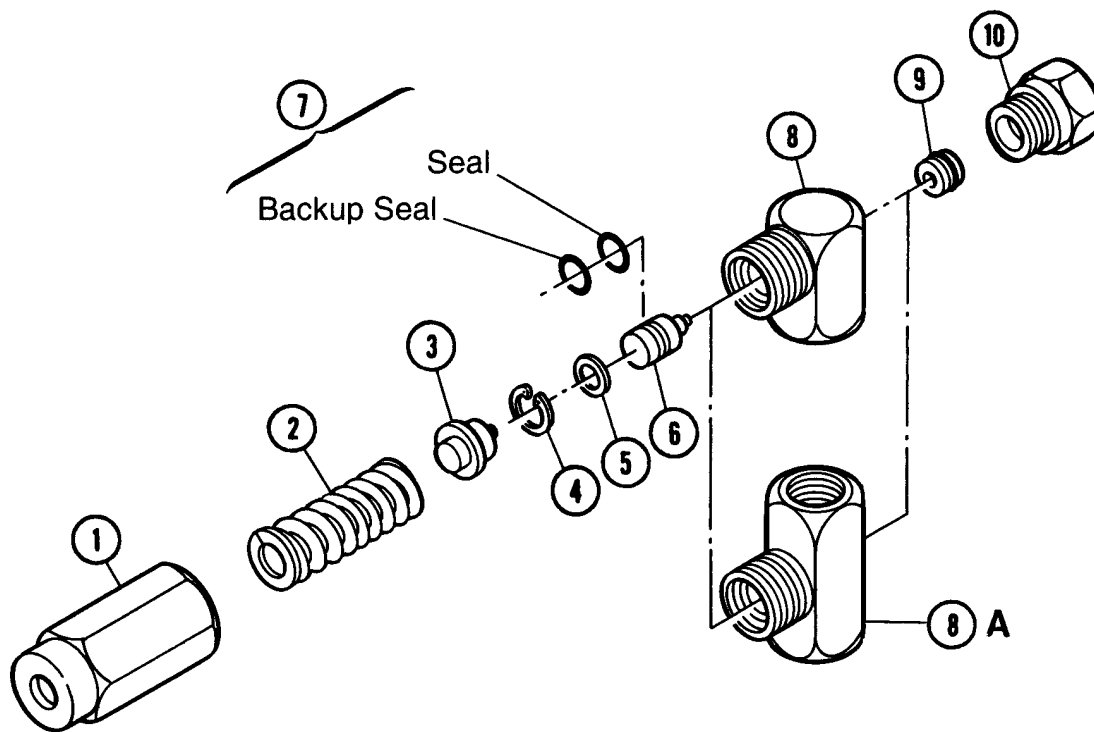


**WANNER ENGINEERING, INC.**

1204 Chestnut Avenue, Minneapolis, MN 55403  
TEL: (612) 332-5681 FAX: (612) 332-6937  
TOLL-FREE FAX [US only]: (800) 332-6812

www.hydra-cell.com  
email: sales@wannereng.com  
Document Fax Back System (510) 745-0440

# C-46 Bypass Pressure Valves



Ref #	Part Number	Description	Quantity/ Pump
1	C46-001-5000	Brass adjusting cap .....	1
	C46-001-5002	Brass -Plater adjusting cap .....	1
2	C46-002-5001	Spring, standard, 0.125" (200-2000 psi) .....	1
	C46-002-5002	Spring, medium, 0.099" (100-900 psi) .....	1
	C46-002-5003	Spring, low, 0.081" (50-500 psi) .....	1
3	C46-003-5010	Plate, thrust, brass .....	1
	C46-003-5012	Plate, thrust, 316 SST .....	1
6	C46-004-5010	Piston .....	1
7	C46-005-5010	Seal kit, Buna-N .....	1
	C46-005-5011	Seal kit, Viton .....	1
	C46-005-5013	Seal kit, EPDM .....	1
8	C46-006-5002	Body assembly, off-line, 316 SST .....	1
	C46-006-5010	Body assembly, off-line, brass .....	1
8A	C46-006-5011	Body assembly, in-line, brass .....	1
9	C46-017-5010	Seat .....	1
9	C45-007-5010	O-ring, Buna .....	1
	C46-007-5011	O-ring, Viton .....	1
	C46-007-5013	O-ring, EPDM .....	1
	C46-008-5002	Bypass fitting, 316 SST .....	1
	C46-008-5010	Bypass fitting, Brass .....	1
10	C46-009-5010	O-ring, bypass fitting, Buna .....	1
	C46-009-5011	O-ring, bypass fitting, Viton .....	1
	C46-009-5013	O-ring, bypass fitting, EPDM .....	1



## WANNER ENGINEERING, INC.

1204 Chestnut Avenue, Minneapolis, MN 55403  
 TEL: (612) 332-5681 FAX: (612) 332-6937  
 TOLL-FREE FAX [US only]: (800) 332-6812

www.hydra-cell.com

email: sales@wannereng.com

Document Fax Back System (510) 745-0440