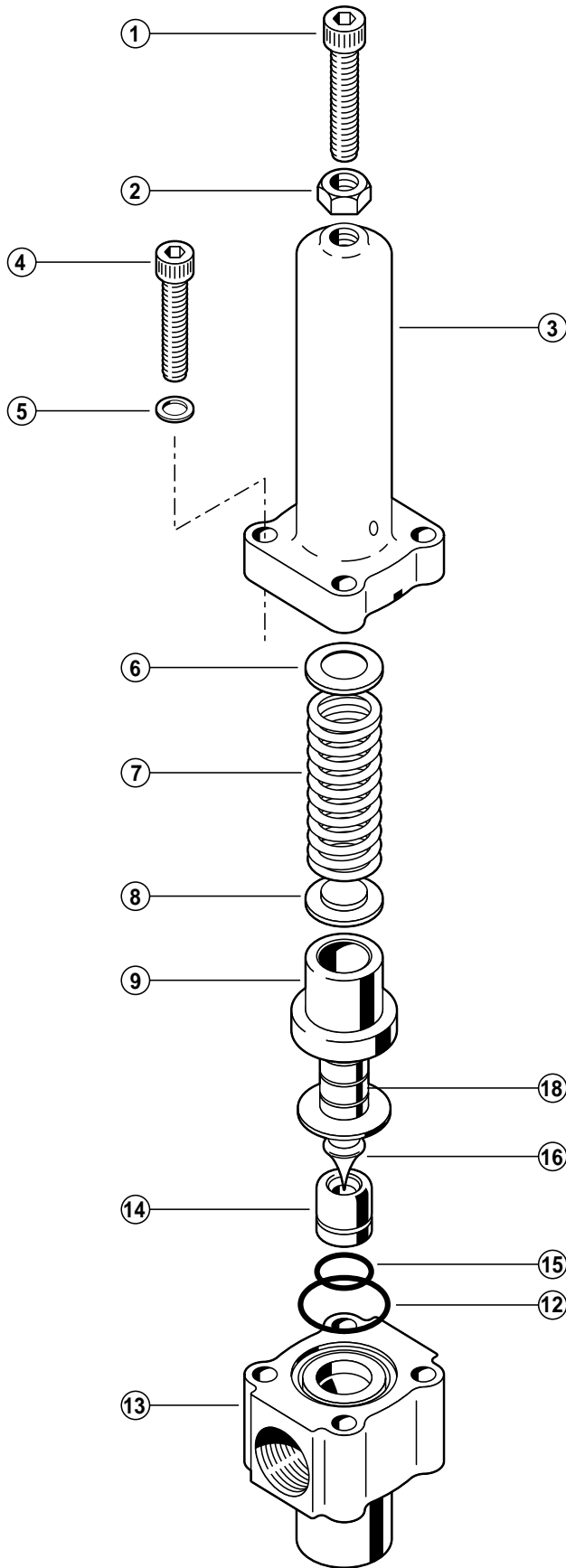


C-62-A/D Parts



Ref #	Part Number	Description	Quantity/ Pump
1	C62-004-2010	Adjusting Bolt	1
2	C62-005-1000	Lock Nut	1
3	C62-003-1210	Valve Top	1
4	G35-029-2010	M10 Socket Cap Screw	4
5	G25-048-2011	Lockwasher, hi-collar	4
6	C62-030-1000	Retainer, spring top	1
7	C62-018-3101	Spring, 75-500 psi; 5-35 bar	1
	C62-018-3103	Spring, 500-2500 psi; 35-172 bar	1
8	C62-029-1000	Plunger Guide, top	1
9	C62-024-1210	Sleeve, guide	1
12	C62-011-2111	O-ring, Viton	1
	C62-011-2118	O-ring, Teflon	1
13	C62-002-1000	Body, valve, brass, NPT	1
	C62-002-1002	Body, valve, 316 SST, NPT	1
	C62-002-1017	Body, valve, Hastelloy C-276, NPT ...	1
	C62-002-1006	Body, valve, brass, BSPT	1
	C62-002-1004	Body, valve, 316 SST, BSPT	1
	C62-002-1018	Body, valve, Hastelloy C-276, BSPT ..	1
14	C62-006-1000	Seat, valve, 316 SST	1
	C62-006-1001	Seat, valve, 17-4 PH SST	1
	C62-006-1017	Seat, valve, Hastelloy C-276	1
15	D40-047-2111	O-ring, valve seat, Viton	1
	D40-047-2118	O-ring, valve seat, Teflon	1
16	C62-023-1200	Plunger Assembly, 316L SST	1
	C62-023-1203	Plunger Assembly, 17-4 PH SST	1
	C62-023-1217	Plunger Assembly, Hastelloy C-276 ..	1
18	C62-025-1000	Plunger Guide	1
-	C62-022-2400	Name Plate (specify model and serial number)	1
-	A01-115-3400	Regulator Grease	1