

PARTS MANUAL

Hydra-Cell[®]

INDUSTRIAL PUMPS

IMPORTANT

Record your pump model number and serial number here for easy reference:

Model No. _____

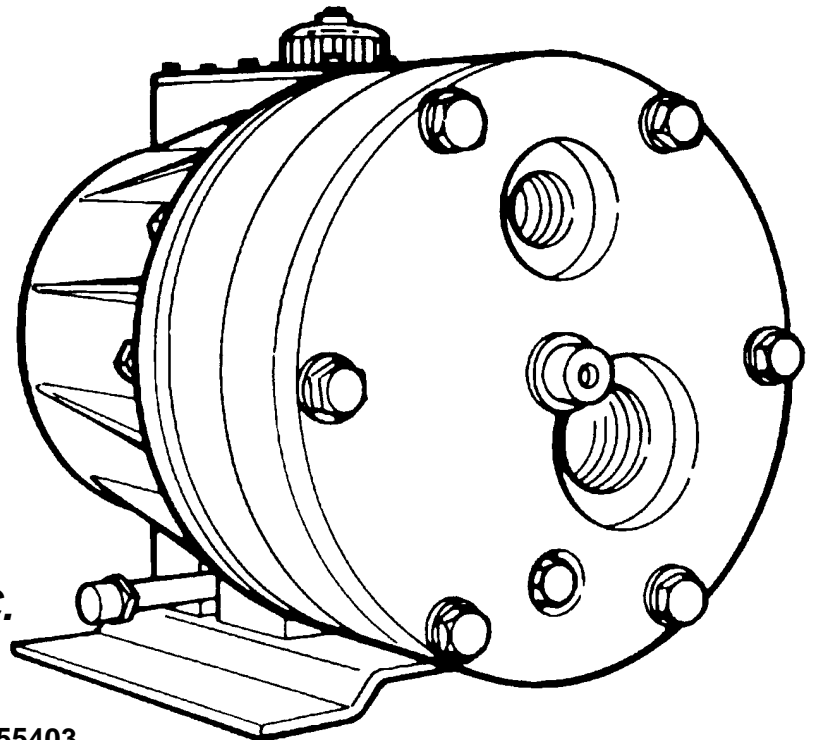
Serial No. _____

Date of Purchase _____

When ordering parts or making inquiries about this pump, please mention the model and serial numbers.

MODEL: D-10

WITH NON-METALLIC PUMP HEAD



WANNER ENGINEERING, INC.

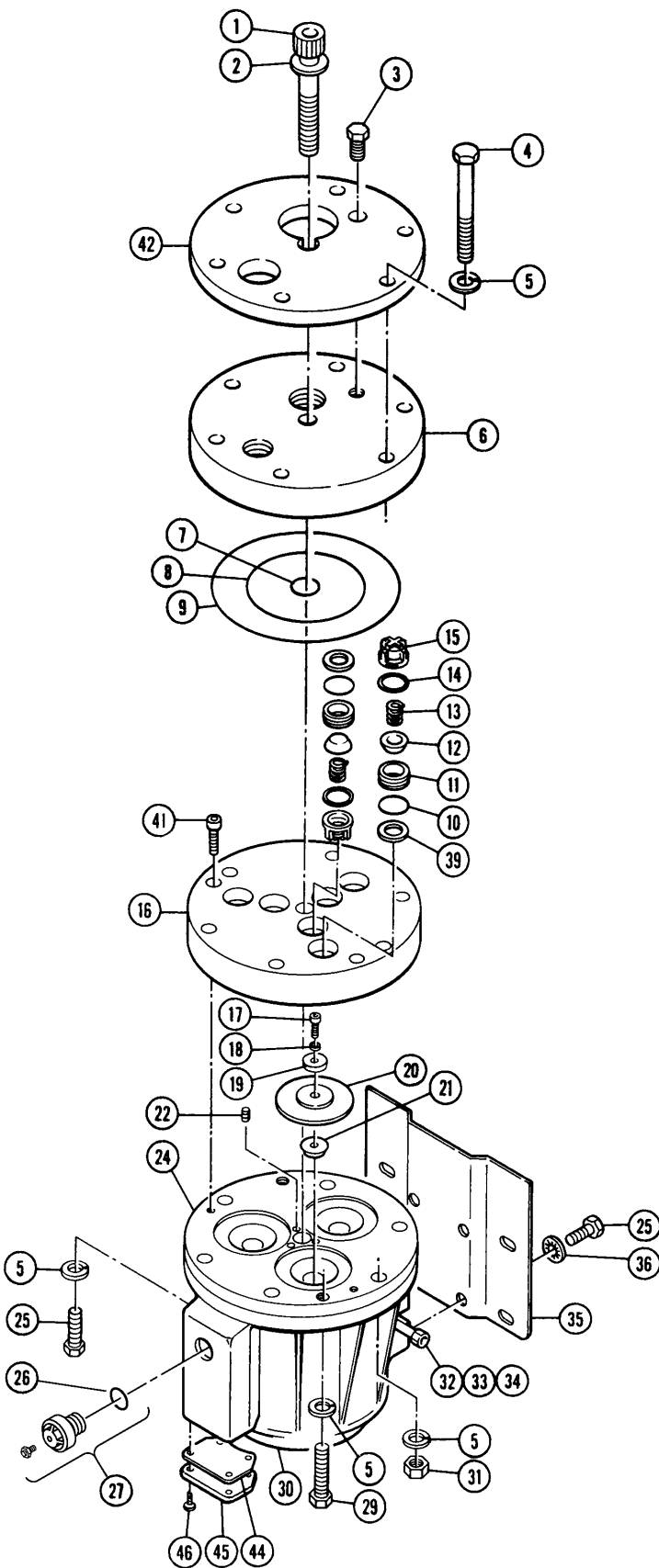
1204 Chestnut Avenue, Minneapolis, MN 55403
TEL: (612) 332-5681 FAX: (612) 332-6937
TOLL-FREE FAX [US only]: (800) 332-6812

www.hydra-cell.com

email: sales@wannereng.com

Document Fax Back System (510) 745-0440

D-10 Fluid End (with non-metallic pump head)



Ref #	Part Number	Description	Quantity/ Pump
1	D10-081-2017	Cap Screw, socket head, 4"	1
2	D10-084-2010	Washer, 1/2", flat	1
3	D10-038-2017	Plug, nickel alloy	1
	D10-038-2211	Plug, 316 SST	1
4	D10-024-2017	Bolt, hex-head, 5"	6
5	D10-048-2010	Washer, split lock, 3/8"	14
6	D10-004-1050	Manifold, polypropylene	1
	D10-004-1051	Manifold, Celcon	1
	D10-004-1053	Manifold, Kynar	1
7	D10-083-2110	O-ring, centerbolt, Buna	1
	D10-083-2111	O-ring, centerbolt, Viton	1
	D10-083-2112	O-ring, centerbolt, Neoprene	1
	D10-083-2113	O-ring, centerbolt, EPDM	1
8	D10-073-2110	O-ring, inner manifold, Buna	1
	D10-073-2111	O-ring, inner manifold, Viton	1
	D10-073-2112	O-ring, inner manifold, Neoprene	1
	D10-073-2113	O-ring, inner manifold, EPDM	1
9	D10-109-2110	O-ring, outer manifold, Buna	1
	D10-109-2111	O-ring, outer manifold, Viton	1
	D10-109-2112	O-ring, outer manifold, Neoprene	1
	D10-109-2113	O-ring, outer manifold, EPDM	1
10	D10-035-2110	O-ring, valve seat, Buna	1
	D10-035-2111	O-ring, valve seat, Viton	1
	D10-035-2112	O-ring, valve seat, Neoprene	1
	D10-035-2113	O-ring, valve seat, EPDM	1
11	D10-020-1010	Valve seat, 17-4 SST, HT	6
	D10-020-1011	Valve seat, 316 SST	6
	D10-020-1017	Valve seat, Hastelloy C	6
	D10-020-3300	Valve seat, ceramic	6
12	D10-021-1010	Valve, 17-7 SST, stamped, HT	6
	D10-021-1011	Valve, Nitronic	6
	D10-021-1015	Valve, 17-4 SST, machined, HT	6
	D10-021-1017	Valve, Hastelloy C	6
	D10-021-3300	Valve, ceramic	6
13	D10-022-3116	Valve Spring, 17-7 SST, HT	6
	D10-022-3117	Valve Spring, Elgiloy	6
	D10-022-3123	Valve Spring, Hastelloy C	6
14	D10-092-2110	Tetra Seal, Buna	6
	D10-092-2111	Tetra Seal, Viton	6
	D10-092-2112	Tetra Seal, Neoprene	6
	D10-092-2113	Tetra Seal, EPDM	6
15	D10-023-2310	Retainer, valve spring, Celcon	6
	D10-023-2326	Retainer, valve spring, Nylon	6
	D10-023-2327	Retainer, valve spring, polypropylene	6
	D10-023-2328	Retainer, valve spring, Kynar	6

D-10 Fluid End (with non-metallic pump head)

Ref #	Part Number	Description	Quantity/ Pump
16	D10-003-1050	Valve Plate, polypropylene	1
	D10-003-1051	Valve Plate, Celcon	1
	D10-003-1053	Valve Plate, Kynar	1
17	D10-030-2010	Screw, flat-head, SST, 3/8"	3
	D10-030-2011	Screw, flat-head, Hastelloy C, 3/8"	3
18	D10-047-2110	O-ring, follower, Buna-N	3
	D10-047-2111	O-ring, follower, Viton	3
	D10-047-2112	O-ring, follower, Neoprene	3
	D10-047-2113	O-ring, follower, EPDM	3
19	D10-017-1010	Follower, 316 SST	3
	D10-017-1011	Follower, Hastelloy C	3
20	D10-018-2310	Diaphragm, Buna	3
	D10-018-2311	Diaphragm, Viton	3
	D10-018-2312	Diaphragm, Neoprene	3
	D10-018-2313	Diaphragm, EPDM	3
	D10-018-2315	Diaphragm, Viton (XT)	3
	D10-018-2320	Diaphragm, Buna-N-XS	3
21	D10-016-1010	Plunger	3
22	D10-082-2010	Set Screw, 3/8"	3
24	D10-002-1010	Cylinder Housing	1
	D10-002-1210	Cylinder Housing Assembly, Buna ¹ ..	–
25	D10-029-2010	Cap Screw, hex-head	5
	D10-080-2110	O-ring, oil fill, Buna	1

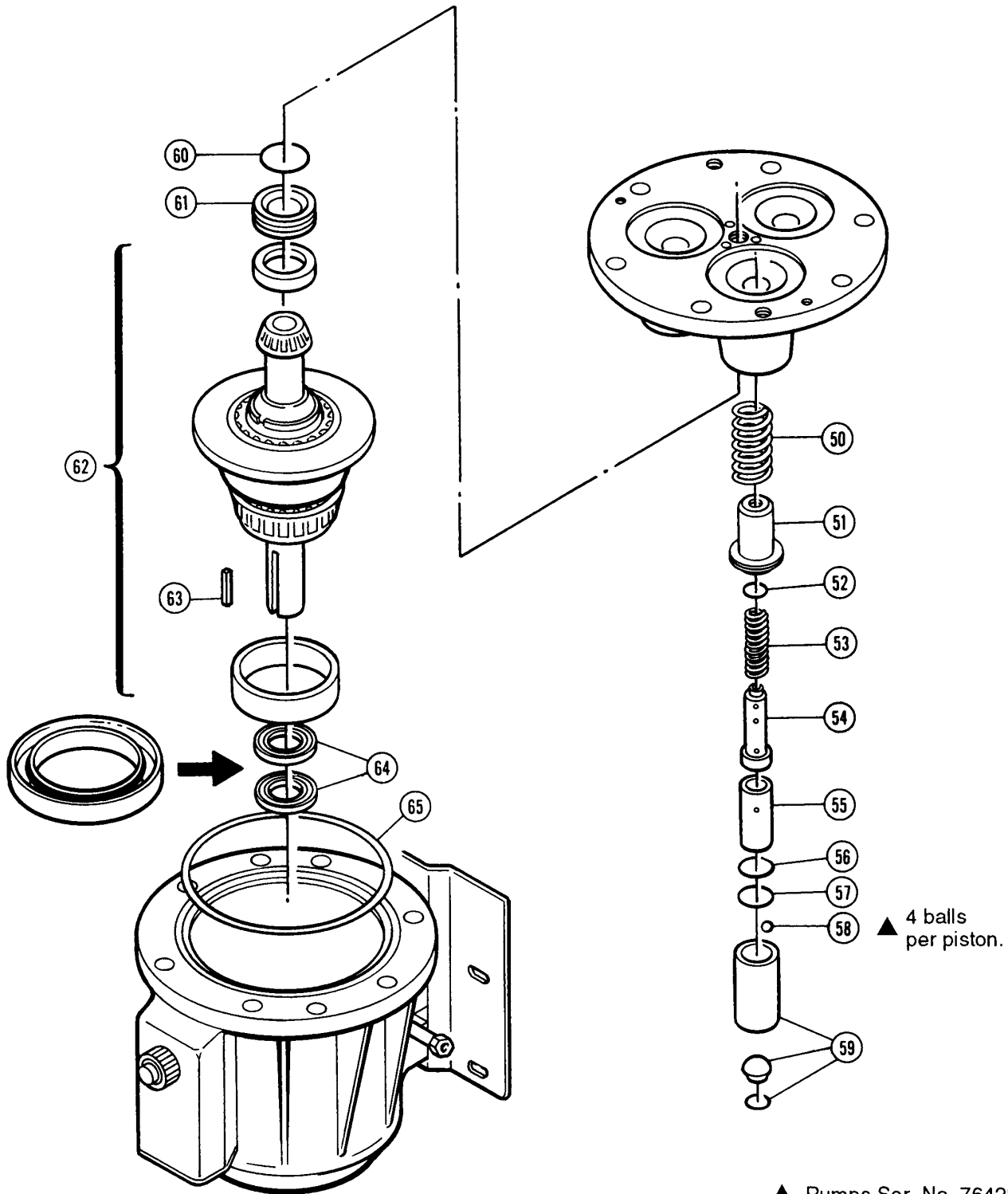
¹ Cylinder Casting Assembly includes casting (24), bearing, adjusting plate (61), O-ring (60), and set screws (22).

Ref #	Part Number	Description	Quantity/ Pump
27	D03-039-1210	Cap, oil fill (includes breather)	1
29	D10-087-2010	Cap Screw, hex-head, 1-18"	1
30	D10-001-1214	Pump Housing ²	1
	D10-001-1215	Pump Housing Assembly ³	–
31	D10-028-2010	Nut, hex, 1/2"	6
32	D10-076-2210	Elbow, brass, 1/8"	1
33	D10-077-2210	Pipe, brass, 1/8"	1
34	D10-078-2210	Cap, brass, 1/8"	1
35	D10-025-1010	Base	1
36	D10-054-2010	Washer, shakeproof, 3/8"	4
39	D10-125-2320	Washer, dampening, Celcon	6
	D10-125-2326	Washer, dampening, nylon	6
	D10-125-2327	Washer, dampening, polypropylene ..	6
	D10-125-2328	Washer, dampening, Kynar	6
41	D10-088-2010	Cap Screw, socket-head	2
42	D10-100-1010	Support, face plate	1
44	D10-106-2310	Gasket, cover	1
45	D10-105-1010	Cover/Nameplate	1
46	G10-090-2010	Screw, M4 x 12	4

² Pump housing includes housing (30), cover (45), gasket (44), and screws (46).

³ Pump Housing Assembly includes housing (30), drain plug (32, 33, 34), bearing cup, cover (45), gasket (44), and screws (46).

D-10 Hydraulic End (with non-metallic pump head)



▲ Pumps Ser. No. 76428 & below may have 1 ball per piston.

D-10 Hydraulic End (with non-metallic pump head)

Ref #	Part Number	Description	Quantity/ Pump
50	D10-019-3110	Spring, piston return	3
51	D10-042-1010	Retainer, spring	3
52	D10-046-2110	O-ring, valve cylinder, Buna	3
53	D10-045-3110	Spring, sleeve valve	3
54	D10-044-1010	Valve Plunger	3
55	D10-043-1010	Cylinder, valve	3
56	D10-034-2110	O-ring, Buna	3
57	D10-041-1010	Washer, ball retainer	3
58	D10-015-3010	Ball ¹	12
59	D10-014-1209	Piston, with foot and retainer	3
	D10-014-1210	Piston Assembly, Buna ²	—
60	D10-075-2110	O-ring, bearing adjusting plate, Buna	1
61	D10-012-1010	Bearing Adjusting Plate	1
62	D10-007-1210	Cam Assembly, 8 gpm @ 1450 rpm ³	—
	D10-007-1211	Cam Assembly, 4 gpm @ 1750 rpm ³	—
	D10-007-1212	Cam Assembly, 6 gpm @ 1750 rpm ³	—
	D10-007-1214	Cam Assembly, 8 gpm @ 1750 rpm ³	—
63	D10-085-2210	Key, shaft	1
64	D10-031-2210	Seal , Buna	2
65	D10-037-2110	O-ring, pump housing, Buna	1
—	D10-111-2401	Label, caution	1
	D10-111-2402	Label, caution	1

¹ Pump serial numbers 76428 and lower many have one ball per piston.

² Piston Assembly includes cylinder, foot, valve plunger, O-rings, spring reatiner, and springs (50-59).

³ Cam Assembly includes can, shaft, wobble plate and bearings. It is only available as an assembly.

D-10 Series Replacement Parts Kits (with non-metallic pump head)

Ordering Information

A complete D-10 Replacement Parts Kit contains 11 digits including 6 customer-specified material options: for example D10K55GHHEP

1 D 2 1 3 0 4 5 5 6 5 7 8 9 10 11

4 Kit Designator

- K** Complete Fluid End Kit
- D** Diaphragm Kit
- V** Valve Kit (diaphragm not included)

7 Diaphragm & O-ring Material

- E** EPDM
- G** Viton®-XT
- N** Buna-N
- P** Neoprene
- T** Buna-N-XS
- V** Viton®

8 Valve Seat Material

- C** Ceramic
- H** 17-4 PH Stainless Steel
- S** 316 Stainless Steel
- T** Hastelloy® C
- X** Not included in Diaphragm Kit

9 Valve Material

- C** Ceramic
- F** 17-4 PH Stainless Steel (machined)
- H** 17-7 PH Stainless Steel (stamped)
- N** Nitronic 50
- T** Hastelloy® C
- X** Not included in Diaphragm Kit

10 Valve Springs

- E** Elgiloy®
- H** 17-7 PH Stainless Steel
- T** Hastelloy® C
- X** Not included in Diaphragm Kit

11 Valve Spring Retainers

- C** Celcon
- M** Kynar®
- P** Polypropylene
- X** Not included in Diaphragm Kit



Kit Contents

Part Number*	Description	Qty	Kit Designator		
			K	D	V
D10-018-__	Diaphragm	3	•	•	
D10-047-__	O-ring, follower	3	•	•	
D10-074-__ or					
D10-109-__	O-ring, outer manifold ¹	1	•	•	•
D10-073-__	O-ring, inner manifold	1	•	•	•
D10-083-__	O-ring, center bolt	1	•	•	•
D10-035-__	O-ring, valve seat	6	•		•
D10-020-__	Valve seat	6	•		•
D10-021-__	Valve	6	•		•
D10-022-__	Valve spring	6	•		•
D10-092-__	Tetra seal ²	6	•		•
D10-023-__	Retainer, valve spring	6	•		•
D10-125-__	Washer, dampening ³	6	•		•
D10-129-__	Spacer ⁴	6	•		•
A01-113-3400	Threadlocker	1	•	•	

* Last four digits of part numbers with __ refer to specific material of construction.

¹ D10-074 is provided for metallic heads; D10-109 is provided for non-metallic heads.

² Tetra seal is provided with non-metallic spring retainers only.

³ Dampening washer is provided for non-metallic heads only.

⁴ Spacer is provided with metallic spring retainers only.

WANNER ENGINEERING, INC.

1204 Chestnut Avenue, Minneapolis, MN 55403
 TEL: (612) 332-5681 FAX: (612) 332-6937
 TOLL-FREE FAX [US only]: (800) 332-6812

www.hydra-cell.com

email: sales@wannereng.com

Document Fax Back System (510) 745-0440