

## PARTS MANUAL

# Hydra-Cell<sup>®</sup>

## INDUSTRIAL PUMPS

### IMPORTANT

Record your pump model number and serial number here for easy reference:

Model No. \_\_\_\_\_

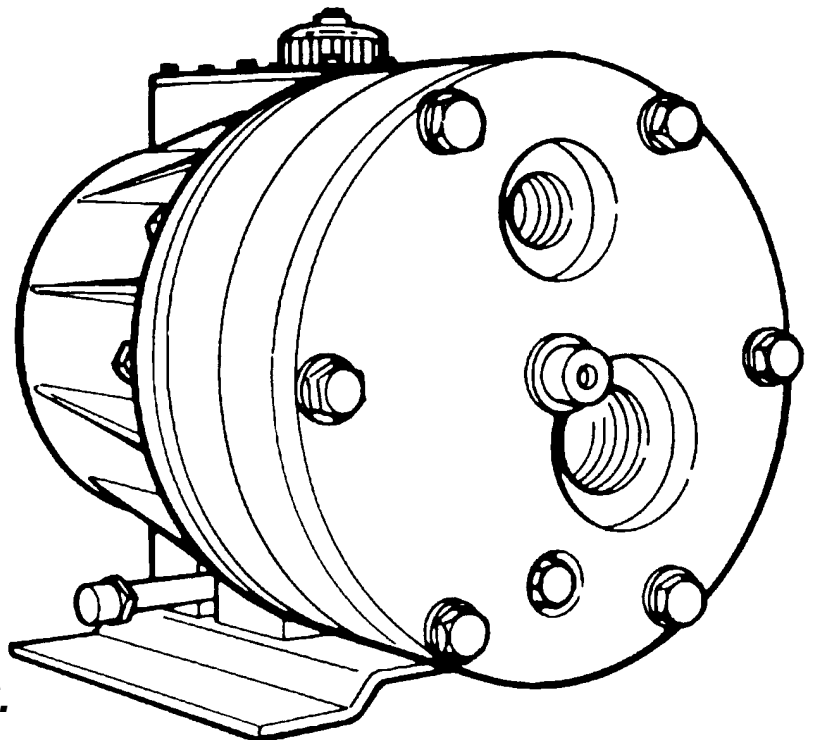
Serial No. \_\_\_\_\_

Date of Purchase \_\_\_\_\_

When ordering parts or making inquiries about this pump, please mention the model and serial numbers.

## MODEL: D-10-SD

### SLURRY DUTY PUMP



**WANNER ENGINEERING, INC.**

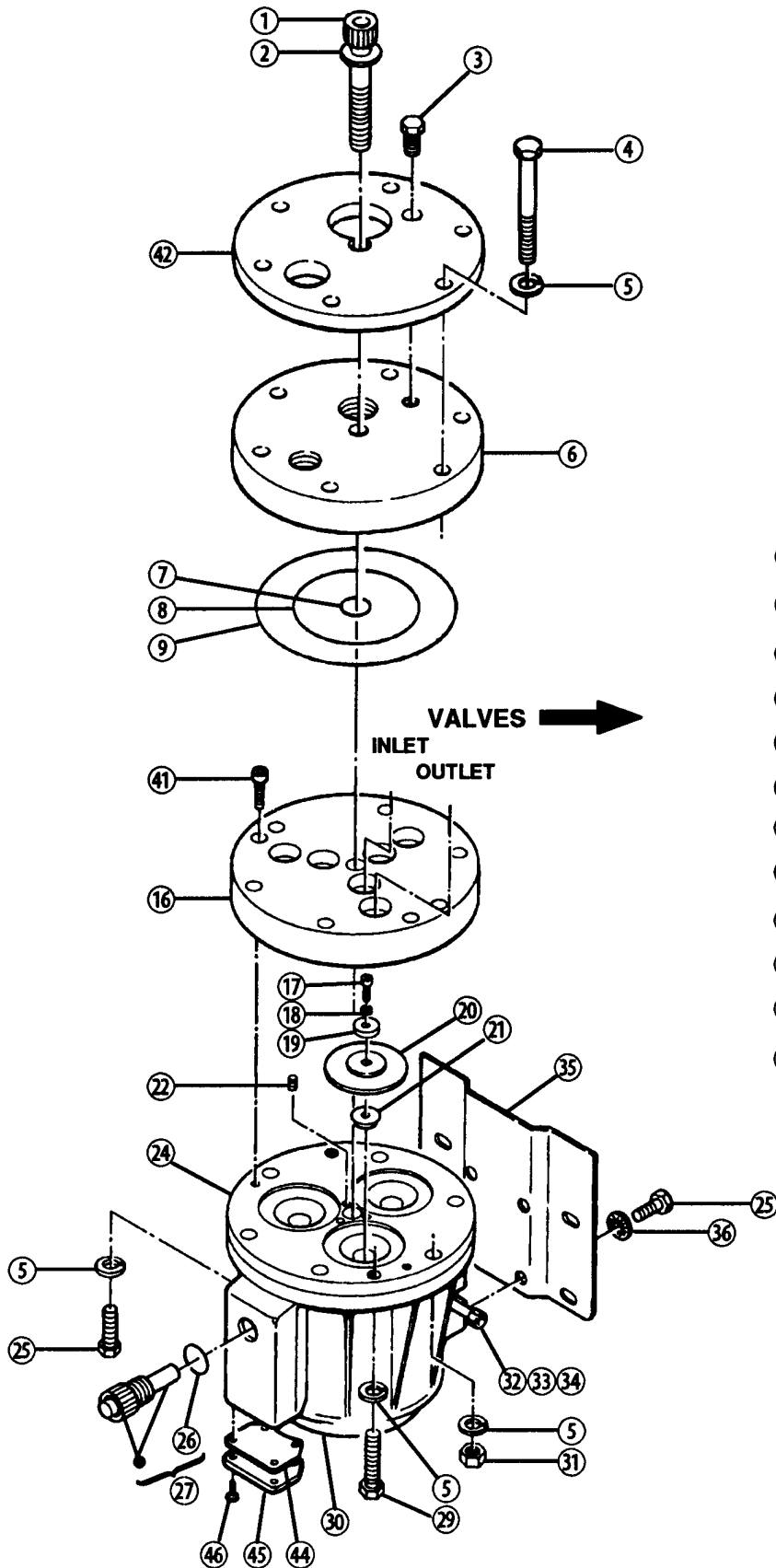
1204 Chestnut Avenue, Minneapolis, MN 55403  
TEL: (612) 332-5681 FAX: (612) 332-6937  
TOLL-FREE FAX [US only]: (800) 332-6812

[www.hydra-cell.com](http://www.hydra-cell.com)

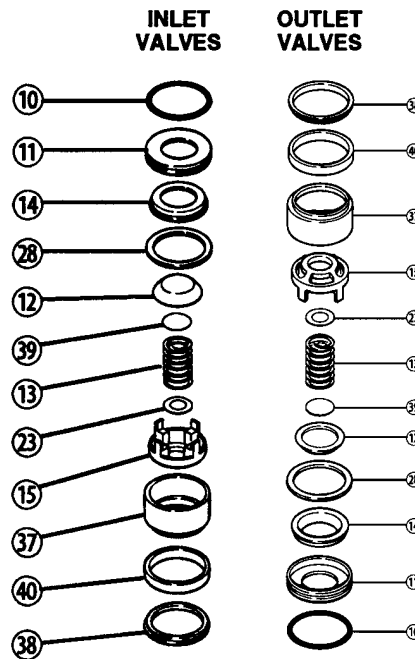
email: [sales@wannereng.com](mailto:sales@wannereng.com)

Document Fax Back System (510) 745-0440

# D-10-SD Fluid End



Bolt Torque Specifications	
Ref. No.	Assembly Torque
1	45 ft-lbs
4	45 ft-lbs
17	18-20 in.-lbs
25	20 ft-lbs
29	20 ft-lbs



# D-10-SD Fluid End

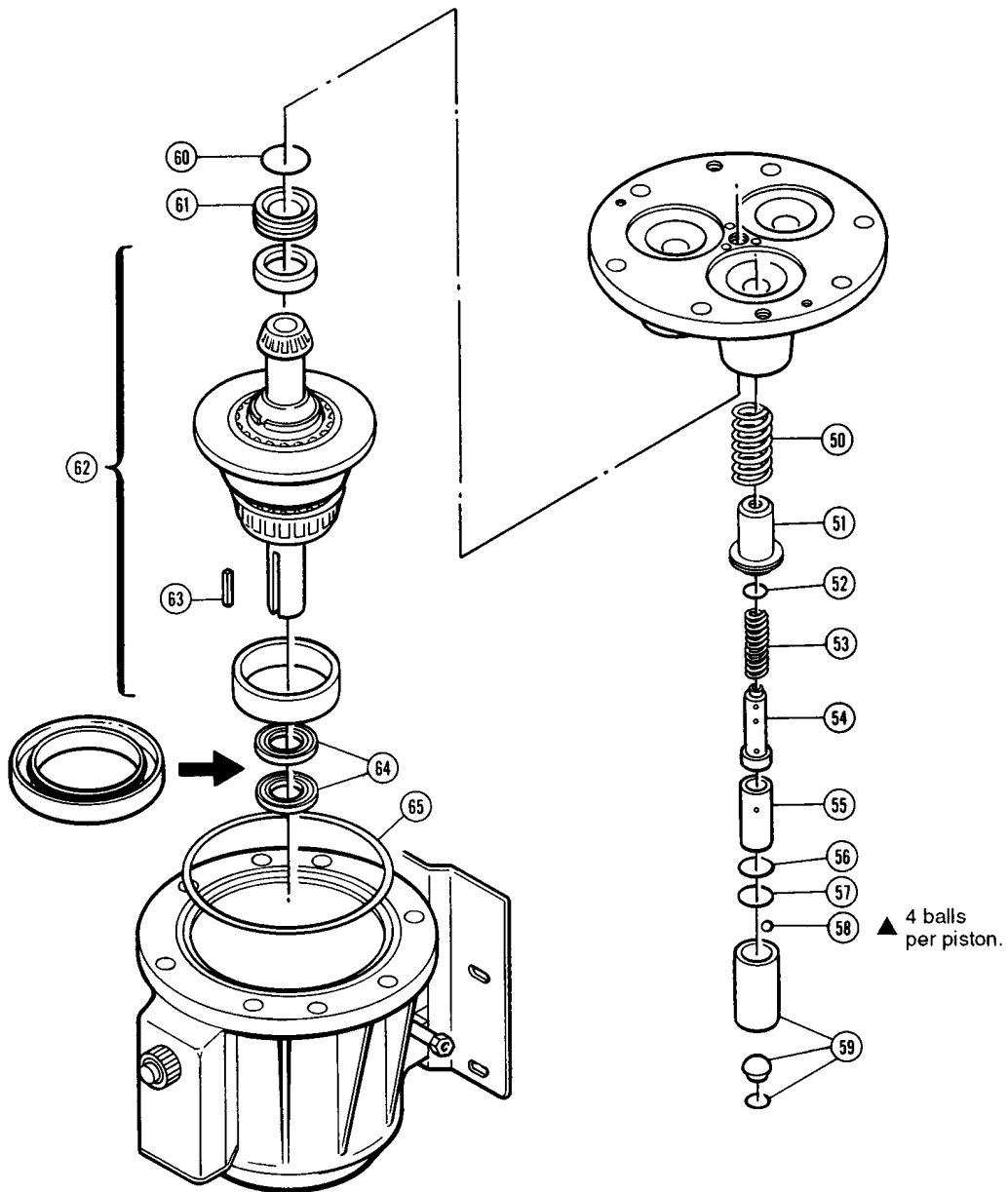
Ref #	Part Number	Description	Quantity/ Pump	Ref #	Part Number	Description	Quantity/ Pump
1	D10-081-2017	Cap Screw, socket-head, 1/2-20 x 4"	1	25	D10-029-2010	Cap Screw, socket-head, 3/8-16 x 1"	5
2	D10-084-2010	Washer, 1/2", flat	1	26	D10-080-2110	O-ring, oil fill, Buna	1
3	D10-038-2211	Plug, 316 SST	1	27	D10-039-1210	Cap, oil fill (includes breather & O-ring)	1
4	H25-024-2010	Bolt, hex-head, 3/8-16 x 5"	6	28	D10-138-1010	Spacer, 17-7 SST, HT	6
5	D10-048-2010	Washer, spilt lock, 3/8"	14	29	D10-087-2010	Cap Screw, hex-head, 3/8-16 x 1-1/8"	1
6	D10-004-1051	Manifold, Celcon, NPT porting	1	30	D10-001-1214	Pump Housing <sup>2</sup>	1
7	D10-083-2110	O-ring, centerbold, Buna	1		D10-001-1215	Pump Housing Assembly <sup>3</sup>	-
	D10-083-2111	O-ring, centerbold, Viton	1	31	D10-028-2010	Nut, hex, 1/2"	6
	D10-083-2112	O-ring, centerbolt, Neoprene	1	32	D10-076-2210	Elbow, brass, 1/8"	1
	D10-083-2113	O-ring, centerbolt, EPDM	1	33	D10-077-2210	Pipe, brass, 1/8"	1
8	D10-073-2110	O-ring, inner manifold, Buna	1	34	D10-078-2210	Cap, brass, 1/8"	1
	D10-073-2111	O-ring, inner manifold, Viton	1	35	D10-025-1010	Base	1
	D10-073-2112	O-ring, inner manifold, Neoprene	1	36	D10-054-2010	Washer, shakeproof, 3/8"	4
	D10-073-2113	O-ring, inner manifold, EPDM	1	37	D10-136-1010	Shell, 17-4 SST, HT	6
9	D10-109-2110	O-ring, outer manifold, Buna	1	38	D10-137-1010	Spacer, 17-7 SST, HT	6
	D10-109-2111	O-ring, outer manifold, Viton	1	39	D10-140-2310	Washer, polyurethane	6
	D10-109-2112	O-ring, outer manifold, Neoprene	1	40	D10-139-1010	Crush Seal, UHMW polyethylene	6
	D10-109-2113	O-ring, outer manifold, EPDM	1	41	D10-088-2010	Cap Screw, socket-head	2
10	D10-035-2160	O-ring, valve seat, Buna	6	42	D10-100-1010	Support, face plate	1
	D10-035-2161	O-ring, valve seat, Viton	6	44	D10-106-2310	Gasket, cover	1
	D10-035-2162	O-ring, valve seat, Neoprene	6	45	D10-105-1010	Cover/Nameplate	1
	D10-035-2163	O-ring, valve seat, EPDM	6	46	G10-090-2010	Screw, M4 x 12	4
11	D10-020-1020	Valve Seat Holder, 17-4 SST, HT	6				
12	D10-021-3300	Valve, ceramic	6				
13	D10-022-3125	Valve Spring, Elgiloy (slurry)	6				
14	D10-135-2310	Valve Seat, polyurethane	6				
15	D10-023-2330	Retainer, valve spring, Celcon (slurry)	6				
16	D10-003-1051	Valve Plate, Celcon	1				
17	D10-030-2010	Screw, flat-head, SST, 3/8"	3				
18	D10-047-2110	O-ring, follower, Buna-N	3				
	D10-047-2111	O-ring, follower, Viton	3				
	D10-047-2112	O-ring, follower, Neoprene	3				
	D10-047-2113	O-ring, follower, EPDM	3				
19	D10-017-1010	Follower, 316 SST	3				
20	D10-018-2310	Diaphragm, Buna	3				
	D10-018-2311	Diaphragm, Viton	3				
	D10-018-2312	Diaphragm, Neoprene	3				
	D10-018-2313	Diaphragm, EPDM	3				
	D10-018-2315	Diaphragm, Viton (XT)	3				
	D10-018-2320	Diaphragm, Buna-N-XS	3				
21	D10-016-1010	Plunger	3				
22	D10-082-2010	Set Screw, 3/8"	3				
23	D10-141-2310	Washer, polyurethane	6				
24	D10-002-1010	Cylinder Casting	1				
	D10-002-1210	Cylinder, Casting Assembly, Buna <sup>1</sup>	-				

<sup>1</sup> Cylinder Casting Assembly includes casting (24), bearing, adjusting plate (61), O-ring (60), and set screws (22).

<sup>2</sup> Pump housing includes housing (30), cover (45), gasket (44), and screws (46).

<sup>3</sup> Pump Housing Assembly includes housing (30), drain plug (32, 33, 34), bearing cup, cover (45), gasket (44), and screws (46).

# D-10-SD Hydraulic End



▲ Pumps Ser. No. 76428 & below may have 1 ball per piston.

# D-10-SD Hydraulic End

---

Ref #	Part Number	Description	Quantity/ Pump
50	D10-019-3110	Spring, piston return .....	3
51	D10-042-1010	Retainer, spring .....	3
52	D10-046-2110	O-ring, valve cylinder, Buna .....	3
53	D10-045-3110	Spring, sleeve valve .....	3
54	D10-044-1010	Valve Plunger .....	3
55	D10-043-1010	Cylinder, valve .....	3
56	D10-034-2110	O-ring, Buna .....	3
57	D10-041-1010	Washer, ball retainer .....	3
58	D10-015-3010	Ball .....	12
59	D10-014-1209	Piston, with foot and retainer .....	3
	D10-014-1210	Piston Assembly, Buna <sup>1</sup> .....	-
60	D25-035-2110	O-ring, bearing adjusting plate, Buna	1
61	D10-012-1010	Bearing Adjusting Plate .....	1
62	D10-007-1210	Cam Assembly <sup>3</sup> , 8.5 gpm @ 1450 rpm .....	-
	D10-007-1211	Cam Assembly <sup>3</sup> , 4 gpm @ 1750 rpm .....	-
	D10-007-1212	Cam Assembly <sup>3</sup> , 6 gpm @ 1750 rpm .....	-
	D10-007-1214	Cam Assembly <sup>3</sup> , 8 gpm @ 1750 rpm .....	-
63	D10-085-2210	Key, shaft .....	1
64	D10-031-2110	Seal, Buna .....	2
65	D10-037-2110	O-ring, pump housing, Buna .....	1
-	D10-111-2401	Label, caution .....	1

<sup>1</sup> Piston Assembly includes cylinder, foot plunger, O-rings, spring retainer, and springs (50-59).

<sup>3</sup> Cam Assembly includes cam, shaft, wobble plate, bearings, cups and key. It is only available as an assembly.

# D-10-SD Series Replacement Parts Kits

## Ordering Information

A complete D-10-SD Replacement Parts Kit contains 11 digits including 6 customer-specified material options: for example D10K56GRCEC

1 D 2 1 3 0 4 5 6 7 8 9 10 11

### 4 Kit Designator

- K** Complete Fluid End Kit
- D** Diaphragm Kit
- V** Valve Kit (diaphragm not included)
- W** Seal & Spring Kit (diaphragm not included)

### 7 Diaphragm & O-ring Material

- E** EPDM
- G** Viton®-XT
- N** Buna-N
- P** Neoprene
- T** Buna-N-XS

### 8 Valve Seat Material

- R** Urethane and Stainless Steel
- X** Not included in Diaphragm Kit

### 9 Valve Material

- C** Ceramic
- X** Not included in Diaphragm Kit or Spring & Seal Kit

### 10 Valve Springs

- E** Elgiloy®
- X** Not included in Diaphragm Kit

### 11 Valve Spring Retainers

- C** Celcon
- X** Not included in Diaphragm Kit

## Kit Contents

Part Number*	Description	Qty	Kit Designator			
			K	D	V	W
D10-018-__	Diaphragm	3	•	•		
D10-047-__	O-ring, follower	3	•	•		
D10-109-__	O-ring, outer manifold	1	•	•	•	•
D10-073-__	O-ring, inner manifold	1	•	•	•	•
D10-083-__	O-ring, center manifold	1	•	•	•	•
D10-135-2310	Valve seat, polyurethane	6	•		•	•
D10-035-__	O-ring, valve seat	6	•		•	•
D10-020-1020	Holder, valve seat	6	•		•	
D10-021-3300	Valve, ceramic	6	•		•	
D10-022-3125	Valve spring, Elgiloy (slurry)	6	•		•	•
D10-137-1010	Spacer	6	•		•	
D10-023-2330	Retainer, valve spring (slurry)	6	•		•	•
D10-140-2310	Washer, polyurethane	6	•		•	•
D10-141-2310	Washer, polyurethane	6	•		•	•
D10-136-1010	Shell	6	•		•	
D10-137-1010	Spacer	6	•		•	
D10-138-1010	Spacer	6	•		•	
D10-139-1010	Crush seal	6	•		•	•
A01-113-3400	Threadlocker	1	•	•		

\* Last four digits of part numbers with \_\_ refer to specific material of construction.



## WANNER ENGINEERING, INC.

1204 Chestnut Avenue, Minneapolis, MN 55403  
 TEL: (612) 332-5681 FAX: (612) 332-6937  
 TOLL-FREE FAX [US only]: (800) 332-6812

[www.hydra-cell.com](http://www.hydra-cell.com)

email: [sales@wannereng.com](mailto:sales@wannereng.com)

Document Fax Back System (510) 745-0440