

## PARTS MANUAL

# Hydra-Cell<sup>®</sup>

## INDUSTRIAL PUMPS

### IMPORTANT

Record your pump model number and serial number here for easy reference:

Model No. \_\_\_\_\_

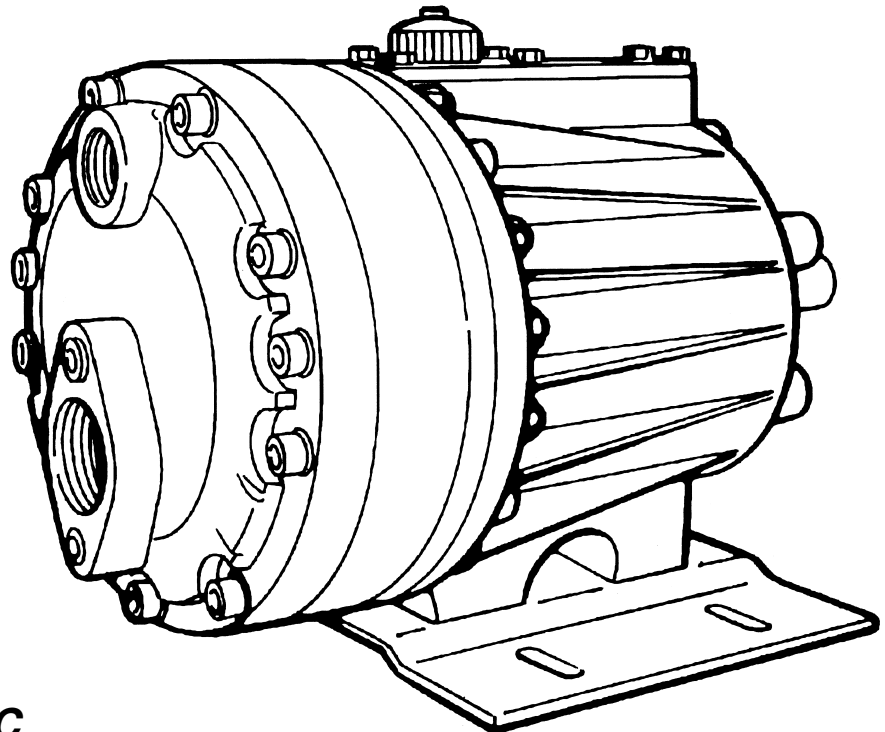
Serial No. \_\_\_\_\_

Date of Purchase \_\_\_\_\_

When ordering parts or making inquiries about this pump, please mention the model and serial numbers.

## MODEL: H-25

### WITH METALLIC PUMP HEAD



*H-25 Pumps with serial number 103200 and above have metric fasteners and a finned, diecast pump housing as illustrated above (see pages 2-3 for fluid end parts list). Pumps with serial number 103199 and below have a smooth pump housing (see pages 4-5 for fluid end parts list).*



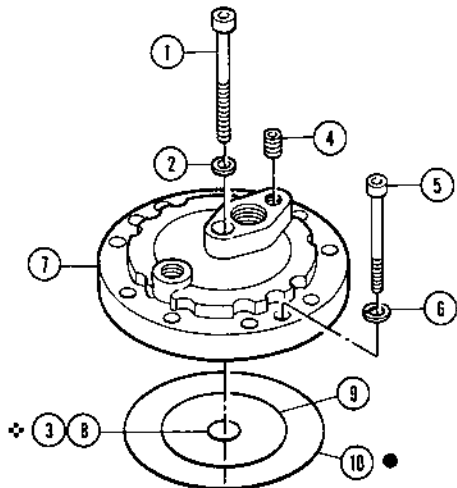
**WANNER ENGINEERING, INC.**

1204 Chestnut Avenue, Minneapolis, MN 55403  
TEL: (612) 332-5681 FAX: (612) 332-6937  
TOLL-FREE FAX [US only]: (800) 332-6812

www.hydra-cell.com  
email: sales@wannereng.com  
Document Fax Back System (510) 745-0440

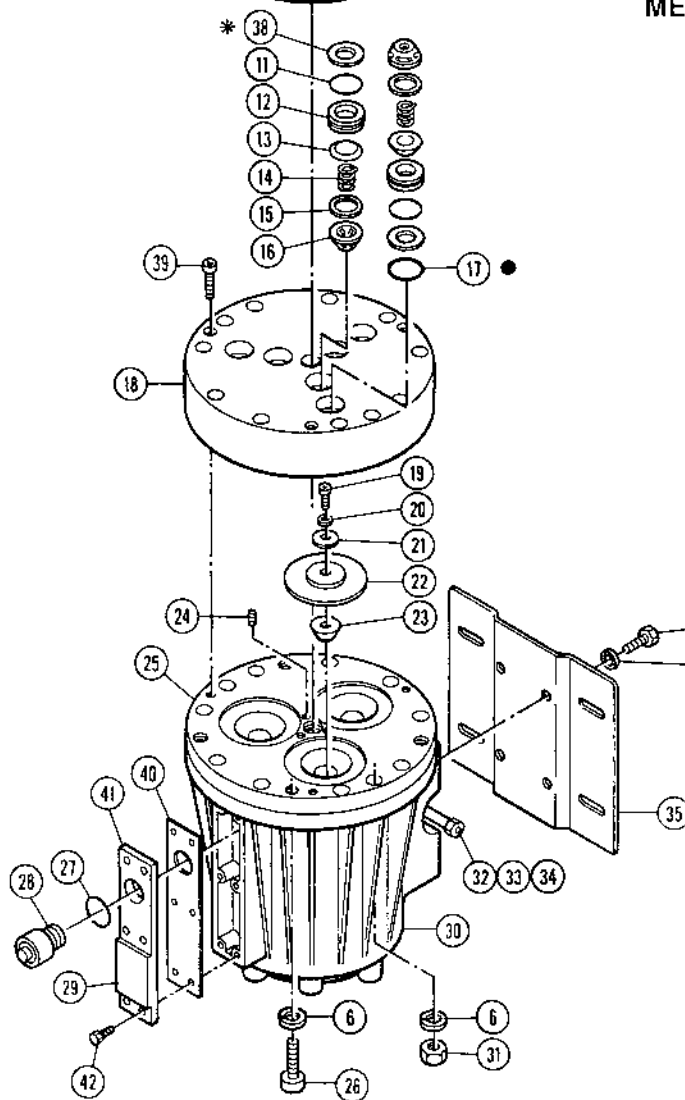
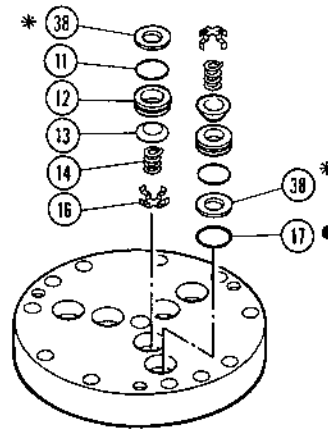
# Metallic Pump Head (for Serial Numbers 103200 and above)

## H-25 Fluid End



- ❖ With brass external-centerbolt models, use #8; with all other models, use #3.
- With cast iron pump heads, use #17 and not #10; with all other heads, use #10 and not #17.
- \* Not included with brass pump heads

### VALVE ASSEMBLIES WITH METAL SPRING RETAINERS



Ref #	Part Number	Description	Quantity/ Pump
1	G25-081-2045	Cap Screw, socket head, M12 x 1.25 x 114 mm	1
2	G10-084-2010	Washer, 13 cm, flat	1
3	D25-083-2110	O-ring, centerbolt, Buna <sup>1</sup>	1
	D25-083-2111	O-ring, centerbolt, Viton <sup>1</sup>	1
	D25-083-2112	O-ring, centerbolt, Neoprene <sup>1</sup>	1
	D25-083-2113	O-ring, centerbolt, EPDM <sup>1</sup>	1
	D25-083-2118	O-ring, centerbolt, Teflon <sup>1</sup>	1
4	D25-038-2017	Plug, Hastelloy C	1
	D25-038-2211	Plug, 316 SST	1
5	G25-024-2010	Cap Screw, socket-head, M10 x 1.5 x 120 mm	11
6	G25-048-2010	Washer, split-lock, M10	25
7	D25-004-1010	Manifold, brass	1
	D25-004-1022	Manifold, 316 SST	1
	D25-004-1026	Manifold, cast iron	1
	D25-004-1029	Manifold, nickel alloy C series	1
8	D10-083-2110	O-ring, center manifold, Buna <sup>1</sup>	1
	D10-083-2111	O-ring, center manifold, Viton <sup>1</sup>	1
	D10-083-2112	O-ring, center manifold, Neoprene <sup>1</sup>	1
	D10-083-2113	O-ring, center manifold, EPDM <sup>1</sup>	1
	D10-083-2118	O-ring, center manifold, Teflon <sup>1</sup>	1

# Metallic Pump Head (for Serial Numbers 103200 and above)

## H-25 Fluid End

Ref #	Part Number	Description	Quantity/ Pump	Ref #	Part Number	Description	Quantity/ Pump
9	D25-073-2110	O-ring, inner manifold, Buna	1	22	D25-018-2310	Diaphragm, Buna-N	3
	D25-073-2111	O-ring, inner manifold, Viton	1		D25-018-2311	Diaphragm, Viton	3
	D25-073-2112	O-ring, inner manifold, Neoprene	1		D25-018-2312	Diaphragm, Neoprene	3
	D25-073-2113	O-ring, inner manifold EPDM	1		D25-018-2313	Diaphragm, EPDM	3
	D25-073-2118	O-ring, inner manifold, Teflon	1		D25-018-2315	Diaphragm, Viton-XT	3
10	D25-097-2110	O-ring, outer manifold, Buna <sup>2</sup>	1		D25-018-2318	Diaphragm, Teflon	3
	D25-097-2111	O-ring, outer manifold, Viton <sup>2</sup>	1		D25-018-2320	Diaphragm, Buna-N-XS	3
	D25-097-2112	O-ring, outer manifold Neoprene <sup>2</sup>	1	23	D25-016-1010	Plunger	3
	D25-097-2113	O-ring, outer manifold EPDM <sup>2</sup>	1	24	G25-082-2010	Set Screw, M6 x 1 x 16 mm	3
	D25-097-2118	O-ring, outer manifold, Teflon <sup>2</sup>	1	25	G25-002-1010	Cylinder Housing	1
11	D25-035-2110	O-ring, valve seat, Buna	6		G25-002-1210	Cylinder Housing Assembly <sup>3</sup>	–
	D25-035-2111	O-ring, valve seat, Viton	6		K25-002-1020	Cylinder Housing, Kel-Cell	1
	D25-035-2112	O-ring, valve seat, Neoprene	6		K25-002-1220	Cylinder Housing Assembly, Kel-Cell <sup>3</sup>	–
	D25-035-2113	O-ring, valve seat, EPDM	6	26	G10-087-2010	Cap Screw, socket-hd, M10 x 1.5 x 30 mm	4
	D25-035-2118	O-ring valve seat, Teflon	6	27	D10-080-2110	O-ring, oil fill, Buna	1
12	D25-020-1010	Valve Seat, 17-4 HT SST	6	28	D03-039-1210	Cap, oil fill (includes breather and O-ring)	1
	D25-020-1012	Valve Seat, Nitronic 50	6	29	D10-040-2410	Name Plate	1
	D25-020-1016	Valve Seat, tungsten carbide	6	30	G25-001-1218	Pump Housing Assembly <sup>4</sup>	–
	D25-020-1017	Valve Seat, Hastelloy C	6		G25-001-1228	Pump Housing <sup>4</sup>	1
	D25-020-3300	Valve Seat, ceramic	6	31	G10-028-2010	Nut, hex, M10	10
13	D25-021-1010	Valve, 17-7 HT SST, stamped	6	32	D25-076-2210	Elbow, 3/8"	1
	D25-021-1011	Valve, Nitronic 50	6	33	D25-077-2210	Pipe, 3/8"	1
	D25-021-1015	Valve, 17-4 HT SST, machined	6	34	D25-078-2210	Cap, 3/8"	1
	D25-021-1016	Valve, tungsten carbide	6	35	D25-025-1010	Base	1
	D25-021-1017	Valve, Hastelloy C	6	36	G25-054-2010	Washer, shakeproof, M10	4
	D25-021-3300	Valve, ceramic	6	37	G10-029-2010	Cap Screw, hex-hd, M10 x 1.5 x 25 mm	4
14	D25-022-3110	Valve Spring, 17-7 HT SST	6	38	D25-125-1011	Washer, dampening, 316 SST <sup>5</sup>	6
	D25-022-3114	Valve Spring, Elgiloy	6		D25-125-1017	Washer, dampening, Hastelloy C <sup>5</sup>	6
	D25-022-3115	Valve Spring, Hastelloy C	6		D25-125-2310	Washer, dampening, Celcon (Delrin) <sup>5</sup>	6
15	D25-092-2110	Tetra Seal, Buna	6		D25-125-2316	Washer, dampening, Nylon <sup>5</sup>	6
	D25-092-2111	Tetra Seal, Viton	6		D25-125-2317	Washer, dampening, polypropylene <sup>5</sup>	6
	D25-092-2112	Tetra Seal, Neoprene	6		D25-125-2318	Washer, dampening, Kynar <sup>5</sup>	6
	D25-092-2113	Tetra Seal, EPDM	6	39	G25-088-2010	Cap Screw, socket-hd, M6 x 1x 45 mm	3
	D25-092-2118	O-ring, Teflon ( not a "Tetra Seal")	6	40	G25-106-2318	Gasket, cover	1
16	D25-023-1010	Retainer, valve spring, 17-7 HT SST	6	41	H25-105-1018	Cover, housing	1
	D25-023-1017	Retainer, valve spring, Hastelloy C	6	42	G25-090-2010	Cap Screw, hex-head	6
	D25-023-2310	Retainer, valve spring, Celcon	6				
	D25-023-2316	Retainer, valve spring, Nylon	6				
	D25-023-2317	Retainer, valve spring, polypropylene	6				
	D25-023-2318	Retainer, valve spring, Kynar	6				
17	D25-074-2110	O-ring, outlet valve, Buna <sup>2</sup>	3				
	D25-074-2111	O-ring, outlet valve, Viton <sup>2</sup>	3				
	D25-074-2112	O-ring, outlet valve, Neoprene <sup>2</sup>	3				
	D25-074-2113	O-ring, outlet valve, EPDM <sup>2</sup>	3				
	D25-074-2118	O-ring, outlet valve, Teflon <sup>2</sup>	3				
18	D25-003-1010	Valve Plate, brass	1				
	D25-003-1012	Valve Plate, 316 SST	1				
	D25-003-1016	Valve Plate, cast iron	1				
	D25-003-1029	Valve Plate, nickel alloy C series	1				
19	D25-030-2010	Screw, flat-head, 5/8", 316 SST	3				
	D25-030-2011	Screw, flat-head, 5/8", Hastelloy C	3				
20	D25-047-2110	O-ring, follower, Buna	3				
	D25-047-2111	O-ring, follower, Viton	3				
	D25-047-2112	O-ring, follower, Neoprene	3				
	D25-047-2113	O-ring, follower, EPDM	3				
	D25-047-2118	O-ring, follower, Teflon	3				
21	D25-017-1010	Follower, 316 SST	3				
	D25-017-1011	Follower, Hastelloy C	3				

<sup>1</sup> With brass external-centerbolt models, use Ref #8; with all other models, use Ref #3.

<sup>2</sup> With cast iron pump heads, use Ref #17 and not Ref #10; with all other models, use Ref #10 and not Ref # 17.

<sup>3</sup> Cylinder Housing Assembly includes casting (25), bearing cup, adjusting plate (61), O-ring (60), and set screws (24).

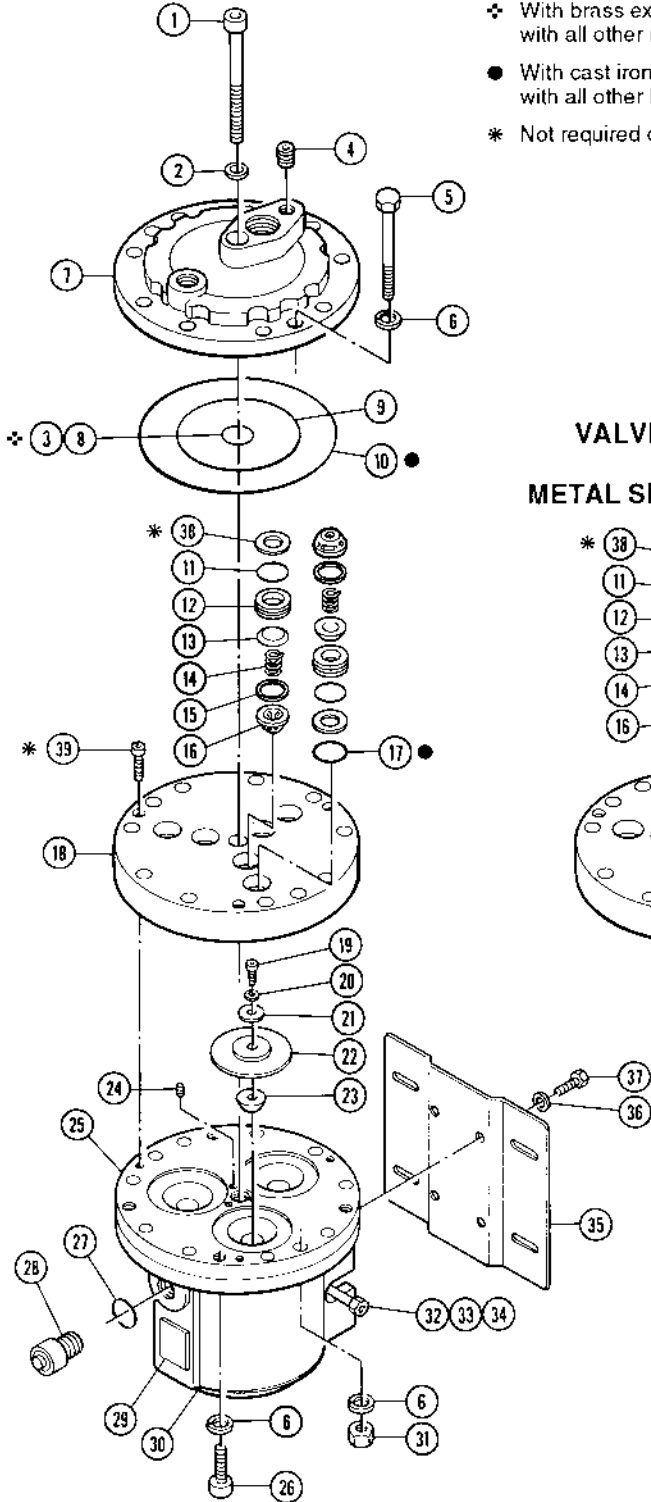
<sup>4</sup> Pump Housing Assembly includes housing (30), drain plug (32, 33, 34), and bearing cup. Pump Housing includes cover (41), gasket (40), and screws (42).

<sup>5</sup> Not required on all pumps.

# Metallic Pump Head (for Serial Numbers 103199 and below)

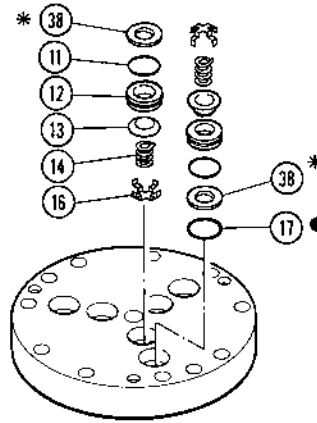
## H-25 Fluid End

### MODEL H-25 WITH STANDARD VALVE ASSEMBLIES (shown with manifold for external-centerbolt models)



- ❖ With brass external-centerbolt models, use #8;  
with all other models, use #3.
- With cast iron pump heads, use #17 and not #  
with all other heads, use #10 and not #17.
- \* Not required on all pumps.

### VALVE ASSEMBLIES WITH METAL SPRING RETAINERS



Ref #	Part Number	Description	Quantity/ Pump
1	D25-081-2012	Cap Screw, socket head, 4-1/2" .....	1
2	D10-084-2010	Washer, 1/2", flat .....	1
3	D25-083-2110	O-ring, centerbolt, Buna <sup>1</sup> .....	1
	D25-083-2111	O-ring, centerbolt, Viton <sup>1</sup> .....	1
	D25-083-2112	O-ring, centerbolt, Neoprene <sup>1</sup> .....	1
	D23-083-2113	O-ring, centerbolt, EPDM <sup>1</sup> .....	1
	D25-083-2118	O-ring, centerbolt, Teflon <sup>1</sup> .....	1
4	D25-038-2017	Plug, Hastelloy C .....	1
	D25-038-2210	Plug, brass .....	1
	D25-038-2211	Plug, 316 SST .....	1
5	D25-024-2011	Bolt, hex-head, 4-3/4" .....	11
6	D10-048-2010	Washer, split-lock, 3/8" .....	25
7	D25-004-1010	Manifold, brass .....	1
	D25-004-1022	Manifold, 316 SST .....	1
	D25-004-1026	Manifold, cast iron .....	1
	D25-004-1029	Manifold, nickel alloy C series .....	1

# Metallic Pump Head (for Serial Numbers 103199 and below)

## H-25 Fluid End

Ref #	Part Number	Description	Quantity/ Pump	Ref #	Part Number	Description	Quantity/ Pump			
8	D10-083-2110	O-ring, center manifold, Buna <sup>1</sup> .....	1	21	D25-017-1010	Follower, 316 SST .....	3			
	D10-083-2111	O-ring, center manifold, Viton <sup>1</sup> .....	1		D25-017-1011	Follower, Hastelloy C .....	3			
	D10-083-2112	O-ring, center manifold, Neoprene <sup>1</sup> ..	1	22	D25-018-2312	Diaphragm, Neoprene .....	3			
	D10-083-2113	O-ring, center manifold, EPDM <sup>1</sup> .....	1		D25-018-2313	Diaphragm, EPDM .....	3			
	D10-083-2118	O-ring, center manifold, Teflon <sup>1</sup> .....	1		D25-018-2315	Diaphragm, Viton-XT .....	3			
			D25-018-2318		Diaphragm, Teflon .....	3				
9	D25-073-2110	O-ring, inner manifold, Buna .....	1	D25-018-2320	Diaphragm, Buna-N-XS .....	3				
	D25-073-2111	O-ring, inner manifold, Viton .....	1	23	D25-016-1010	Plunger .....	3			
	D25-073-2112	O-ring, inner manifold, Neoprene .....	1		24	D25-082-2010	Set Screw, 1/4" x 5/8" .....	3		
	D25-073-2113	O-ring, inner manifold, EPDM .....	1			25	D25-002-1010	Cylinder Housing .....	1	
	D25-073-2118	O-ring, inner manifold, Teflon .....	1				D25-002-1210	Cylinder Housing Assembly <sup>3</sup> .....	–	
10	D25-097-2110	O-ring, outer manifold, Buna <sup>2</sup> .....	1				K25-002-1010	Cylinder Housing, Kel-Cell .....	1	
	D25-097-2111	O-ring, outer manifold, Viton <sup>2</sup> .....	1	K25-002-1210			Cylinder Housing Assembly, Kel-Cell <sup>3</sup> .....	–		
	D25-097-2112	O-ring, outer manifold, Neoprene <sup>2</sup> ..	1	26	D25-029-2010		Cap Screw, socket-head, 1-1/8" .....	4		
	D25-097-2113	O-ring, outer manifold, EPDM <sup>2</sup> .....	1		27	D10-080-2110	O-ring, oil fill, Buna .....	1		
	D25-097-2118	O-ring, outer manifold, Teflon <sup>2</sup> .....	1			D10-080-2111	O-ring, oil fill, Viton .....	1		
11	D25-035-2110	O-ring, valve seat, Buna .....	6			28	D03-039-1210	Cap, oil fill (includes breather and O-ring) .....	1	
	D25-035-2111	O-ring, valve seat, Viton .....	6				29	D10-040-2410	Name Plate .....	1
	D25-035-2112	O-ring, valve seat, Neoprene .....	6	30				H25-001-1219	Pump Housing Assembly <sup>4</sup> .....	–
	D25-035-2113	O-ring, valve seat, EPDM .....	6		H25-001-1229			Pump Housing .....	1	
	D25-035-2118	O-ring, valve seat, Teflon .....	6		31			D10-028-2010	Nut, hex, 3/8" .....	10
12	D25-020-1010	Valve Seat, 17-4 .....	6			32		D25-076-2210	Elbow, 3/8" .....	1
	D25-020-1012	Valve Seat, Nitronic 50 .....	6				33	D25-077-2210	Pipe, 3/8" .....	1
	D25-020-1017	Valve Seat, Hastelloy C .....	6	34				D25-078-2210	Cap, 3/8" .....	1
	D25-020-3300	Valve Seat, ceramic .....	6					35	D25-025-1010	Base .....
	13	D25-021-1010	Valve, 17-7 HT SST, stamped .....		6				36	D10-054-2010
D25-021-1011		Valve, Nitronic 50 .....	6		37	D10-029-2010				Cap Screw, hex-head, 7/8" .....
D25-021-1015		Valve, 17-4 HT SST, machined .....	6			38	D25-125-1011			Washer, dampening, 316 SST <sup>5</sup> .....
D25-021-1017		Valve, Hastelloy C .....	6	D25-125-1017			Washer, dampening, Hastelloy <sup>5</sup> .....			6
D25-021-3300		Valve, ceramic .....	6	D25-125-2310			Washer, dampening, Celcon (Delrin) <sup>5</sup> .....	6		
14	D25-022-3110	Valve Spring, 17-7 HT SST .....	6	D25-125-2316			Washer, dampening, Nylon <sup>5</sup> .....	6		
	D25-022-3114	Valve Spring, Elgiloy .....	6	D25-125-2317	Washer, dampening, poplypropylene <sup>5</sup> .....		6			
	D25-022-3115	Valve Spring, Hastelloy C .....	6	D25-125-2317	Washer, dampening, Kynar <sup>5</sup> .....	6				
	15	D25-092-2110	Tetra Seal, Buna .....	6	39	D25-088-2010	Cap Screw, socket-head .....	3		
		D25-092-2111	Tetra Seal, Viton .....	6		16	D25-023-1010	Retainer, valve spring, 17-7 HT SST .	6	
		D25-092-2112	Tetra Seal, Neoprene .....	6			D25-023-1017	Retainer, valve spring, Hastelloy C ...	6	
		D25-092-2113	Tetra Seal, EPDM .....	6			D25-023-2310	Retainer, valve spring, Celcon .....	6	
		D25-092-2118	O-ring, Teflon ( not a "Tetra Seal") .....	6			D25-023-2316	Retainer, valve spring, Nylon .....	6	
D25-023-2317		Retainer, valve spring, polypropylene	6	D25-023-2317			Retainer, valve spring, polypropylene	6		
D25-023-2318		Retainer, valve spring, Kynar .....	6	D25-023-2318			Retainer, valve spring, Kynar .....	6		
17		D25-074-2110	O-ring, outlet valve, Buna <sup>2</sup> .....	3			17	D25-074-2110	O-ring, follower, Buna .....	3
	D25-074-2111	O-ring, outlet valve, Viton <sup>2</sup> .....	3	D25-074-2111	O-ring, follower, Viton .....			3		
	D25-074-2112	O-ring, outlet valve, Neoprene <sup>2</sup> .....	3	D25-074-2112	O-ring, follower, Neoprene .....	3				
	D25-074-2113	O-ring, outlet valve, EPDM <sup>2</sup> .....	3	D25-074-2113	O-ring, follower, EPDM .....	3				
	D25-074-2118	O-ring, outlet valve, Teflon <sup>2</sup> .....	3	D25-074-2118	O-ring, follower, Teflon .....	3				
18	D25-003-1010	Valve Plate, brass .....	1	18	D25-003-1010	Valve Plate, brass .....	1			
	D25-003-1012	Valve Plate, 316 SST .....	1		D25-003-1012	Valve Plate, 316 SST .....	1			
	D25-003-1016	Valve Plate, cast iron .....	1		D25-003-1016	Valve Plate, cast iron .....	1			
	D25-003-1029	Valve Plate, nickel alloy C series .....	1		D25-003-1029	Valve Plate, nickel alloy C series .....	1			
19	D25-030-2010	Screw, flat-head, 5/8", 316 SST .....	3	19	D25-030-2010	Screw, flat-head, 5/8", 316 SST .....	3			
	D25-030-2011	Screw, flat-head, 5/8", Hast. C .....	3		D25-030-2011	Screw, flat-head, 5/8", Hast. C .....	3			

<sup>1</sup> With brass external-centerbolt models, use Ref #8; with all other models, use Ref #3.

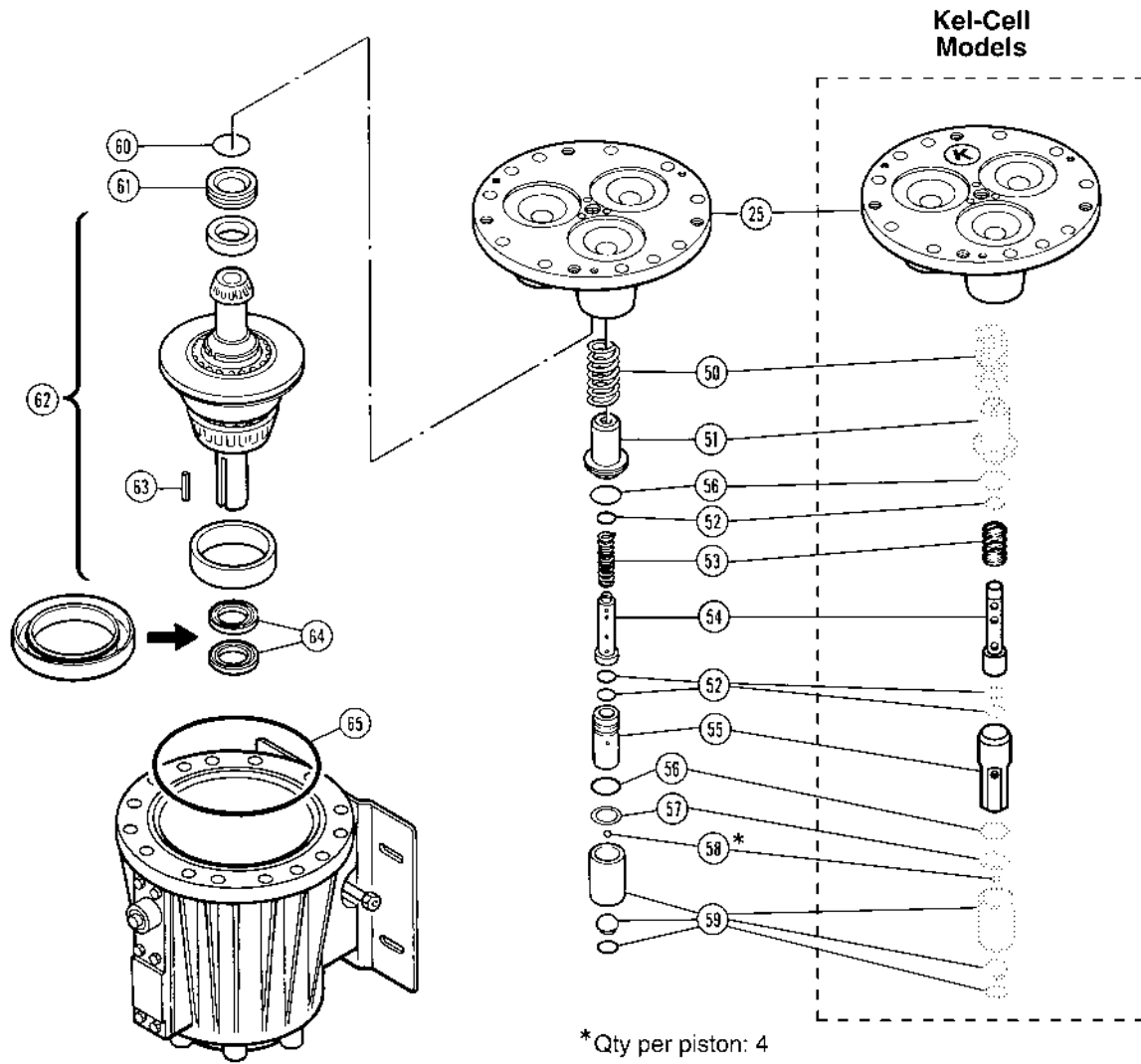
<sup>2</sup> With cast iron pump heads, use Ref #17 and not Ref #10; with all other models, use Ref #10 and not Ref # 17.

<sup>3</sup> Cylinder Housing Assembly includes casting (25), bearing cup, adjusting plate (61), O-ring (60), and set screws (24).

<sup>4</sup> Pump Housing Assembly includes housing (30), drain plug (32, 33, 34), and bearing cup.

<sup>5</sup> Not required on all pumps.

# H-25 Hydraulic End



# H-25 Hydraulic End

Ref #	Part Number	Description	Quantity/ Pump
50	D25-019-3111	Spring, piston return .....	3
51	D25-042-1010	Retainer, piston return spring .....	3
52	D25-046-2110	O-ring, valve cylinder, Buna .....	9
53	D25-045-3110	Spring, sleeve valve .....	3
	K25-045-3110	Spring, sleeve valve, Kel-Cell .....	3
54	D25-044-1010	Valve Plunger .....	3
	K25-044-1010	Valve Plunger, Kel-Cell .....	3
55	D25-043-1010	Cylinder, valve .....	3
	K25-043-1010	Cylinder, valve, Kel-Cell .....	3
56	D25-034-2110	O-ring, Buna .....	6
57	D25-041-1010	Washer, ball retainer .....	3
58	D25-015-3010	Ball, 1/4" <sup>1</sup> .....	12
59	D25-014-1209	Piston, with foot and retainer .....	3
	D25-014-1210	Piston Assembly <sup>2</sup> .....	—
	K25-014-1210	Piston Assembly, Kel-Cell <sup>2</sup> .....	—
60	D25-075-2110	O-ring, bearing adjusting plate, Buna	1
61	D25-012-1010	Bearing Adjusting Plate .....	1
62	H25-007-1210	Cam Assembly (X), 20 GPM @ 1050 RPM <sup>3</sup> .....	1
	H25-007-1212	Cam Assembly (I), 12 GPM @ 1200 RPM <sup>3</sup> .....	1
	H25-007-1213	Cam Assembly (S), 16 GPM @ 1200 RPM <sup>3</sup> .....	1
	H25-007-1214	Cam Assembly (E), 20 GPM @ 1200 RPM <sup>3</sup> .....	1
63	D25-085-2210	Key, shaft .....	1
64	H25-031-2112	Seal, Buna, 1-1/8" .....	2
65	H25-037-2110	O-ring, pump housing, Buna, Ser. No. 100403 & above .....	1
	D25-037-2110	O-ring, pump housing, Buna, Ser. No. 100402 & below .....	1
—	D25-111-2400	Label, caution .....	1

<sup>1</sup> Pump serial numbers 90380 and lower many have two ball per piston.

<sup>2</sup> Piston Assembly includes cylinder, foot, valve plunger, O-rings, spring retainer, and springs (50-59).

<sup>3</sup> Cam Assembly includes cam, shaft, wobble plate, bearings, and cups. It is only available as an assembly.

# H-25 Series REPLACEMENT PARTS KITS

ORDERING INFORMATION: A Replacement Parts Kit contains 11 digits corresponding to customer-specified design options.

1	2	3	4	5	6	7	8	9	10	11
---	---	---	---	---	---	---	---	---	----	----

Digit	Order Code	Description
<b>1-3</b>		<b>Pump Configuration</b>
	D25	For all H-25 and D-25 Pumps
<b>4</b>		<b>Kit Designator</b>
	K	Complete Fluid End Kit
	D	Diaphragm Kit
	V	Valve Kit (diaphragm not included)
<b>5-6</b>		<b>Pump Head Version</b>
	52	Metallic Pump Head Version
	55	Non-Metallic Pump Head Version
<b>7</b>		<b>Diaphragm &amp; O-ring Material</b>
	E	EPDM
	G	Viton-XT
	J	Teflon® (used with metallic heads only)
	P	Neoprene
	T	Buna-N-XS
<b>8</b>		<b>Valve Seat Material</b>
	C	Ceramic
	D	Tungsten Carbide
	H	17-4 PH Stainless Steel
	N	Nitronic 50
	T	Hastelloy® C
	X	Not included in Diaphragm Kit
<b>9</b>		<b>Valve Material</b>
	C	Ceramic
	D	Tungsten Carbide
	F	17-7 PH Stainless Steel – Machined
	H	17-7 PH Stainless Steel – Stamped
	N	Nitronic 50
	T	Hastelloy® C
	X	Not included in Diaphragm Kit
<b>10</b>		<b>Valve Springs</b>
	E	Elgiloy®
	H	17-7 PH Stainless Steel
	T	Hastelloy® C
	X	Not included in Diaphragm Kit
<b>11</b>		<b>Valve Spring Retainers</b>
	C	Celcon
	H	17-7 PH Stainless Steel
	M	Kynar®
	P	Polypropylene
	T	Hastelloy® C
	Y	Nylon (Zytel)
	X	Not included in Diaphragm Kit

## Kit Contents

Part Number*	Description	Qty	Kit Designator		
			K	D	V
D25-018-__	Diaphragm	3	•	•	
D25-047-__	O-ring, follower	3	•	•	
D25-074-__	O-ring, outlet valve <sup>1</sup>	3	•	•	•
D25-097-__ or					
D25-109-__	O-ring, outer manifold <sup>2</sup>	1	•	•	•
D25-073-__	O-ring, inner manifold	1	•	•	•
D10-083-__	O-ring, center manifold <sup>3</sup>	1	•	•	•
D25-083-__	O-ring, center bolt <sup>4</sup>	1	•	•	•
D25-035-__	O-ring, valve seat	6	•		•
D25-020-__	Valve seat	6	•		•
D25-021-__	Valve	6	•		•
D25-022-__	Valve spring	6	•		•
D25-092-__	Tetra seal <sup>5</sup>	6	•		•
D25-023-__	Retainer, valve spring	6	•		•
A01-113-3400	Threadlocker	1	•	•	

\* Last four digits of part numbers with \_\_\_\_ refer to specific material of construction.

<sup>1</sup> D25-074 is provided with metallic heads only.

<sup>2</sup> D25-097 is provided with metallic heads; D25-109 is provided with non-metallic heads

<sup>3</sup> D10-083 is provided with non-metallic heads and metallic head models with brass external centerbolt.

<sup>4</sup> D25-083 is provided with metallic heads only.

<sup>5</sup> Tetra seal is provided with non-metallic spring retainers only.



## WANNER ENGINEERING, INC.

1204 Chestnut Avenue, Minneapolis, MN 55403  
 TEL: (612) 332-5681 FAX: (612) 332-6937  
 TOLL-FREE FAX [US only]: (800) 332-6812

www.hydra-cell.com

email: sales@wannereng.com

Document Fax Back System (510) 745-0440