

PARTS MANUAL

Hydra-Cell[®]

INDUSTRIAL PUMPS

IMPORTANT

Record your pump model number and serial number here for easy reference:

Model No. _____

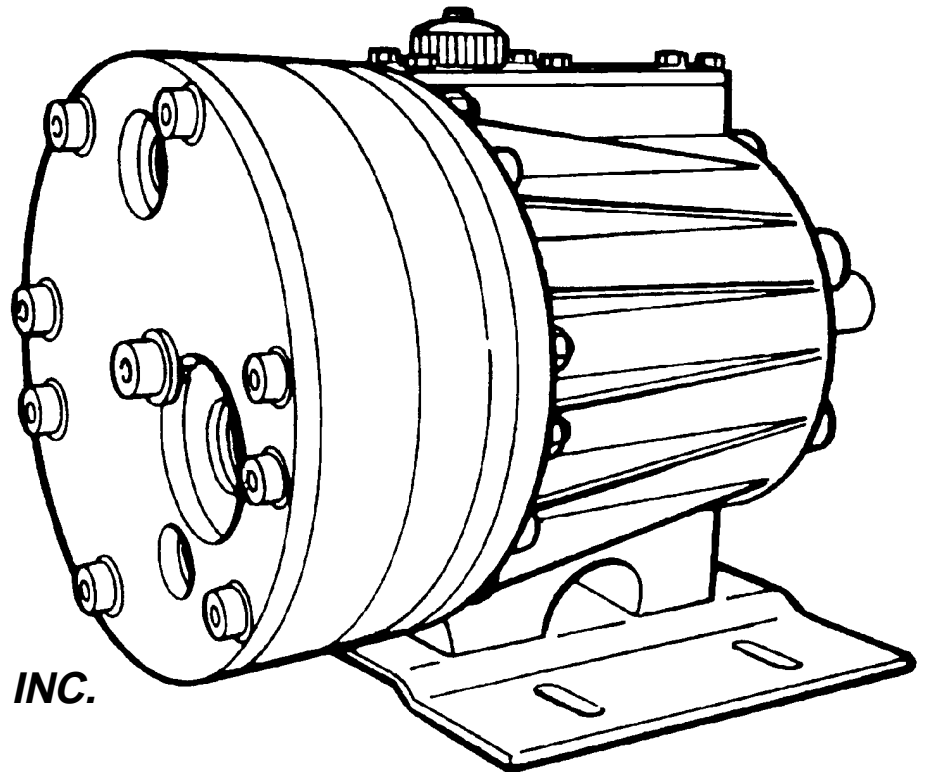
Serial No. _____

Date of Purchase _____

When ordering parts or making inquiries about this pump, please mention the model and serial numbers.

MODEL: H-25-SD

SLURRY DUTY PUMP



WANNER ENGINEERING, INC.

1204 Chestnut Avenue, Minneapolis, MN 55403

TEL: (612) 332-5681 FAX: (612) 332-6937

TOLL-FREE FAX [US only]: (800) 332-6812

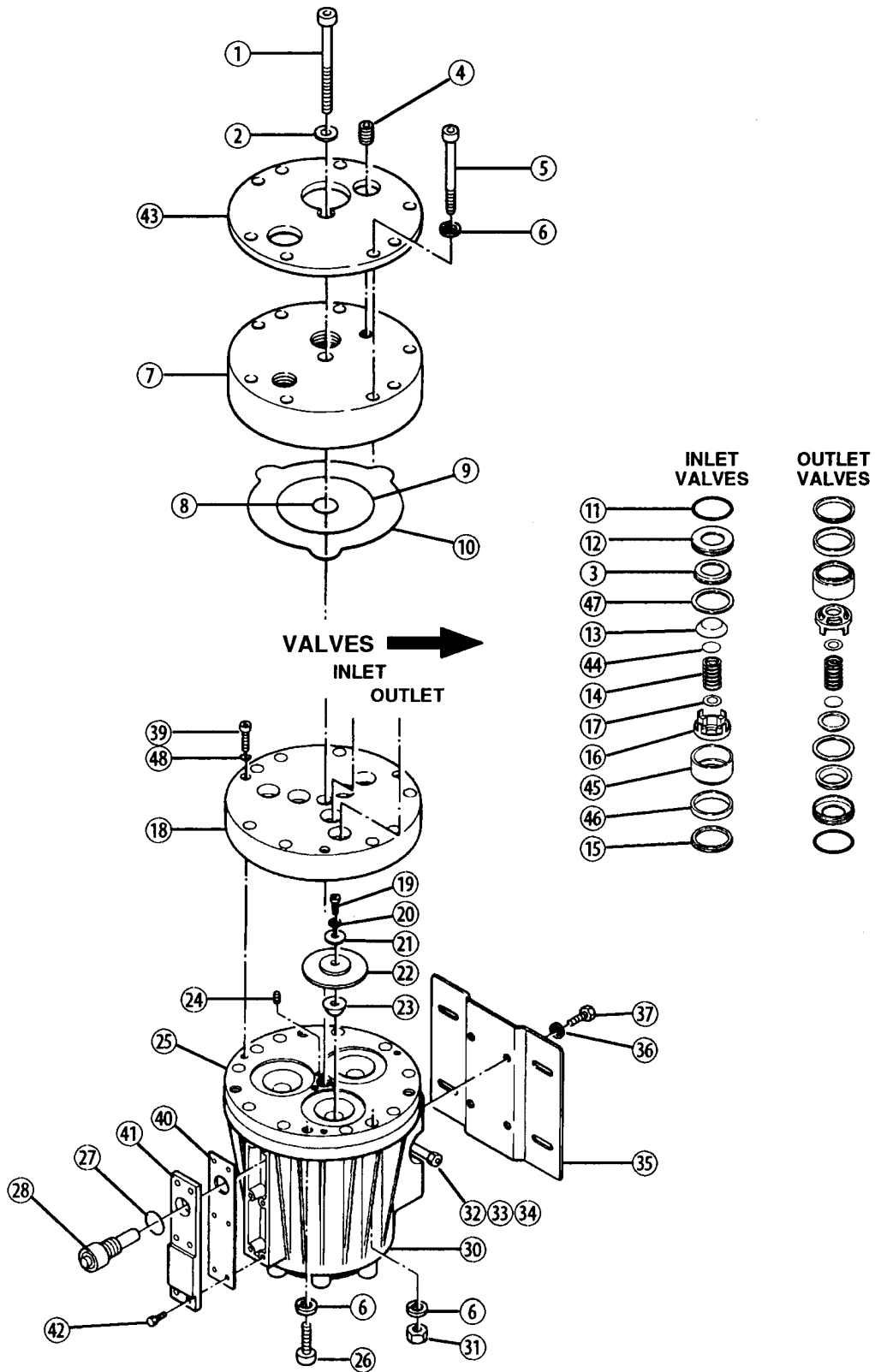
www.hydra-cell.com

email: sales@wannereng.com

Document Fax Back System (510) 745-0440

H-25-SD Fluid End

MODEL H-25 WITH NONMETALLIC PUMP HEAD AND SLURRY-DUTY VALVES



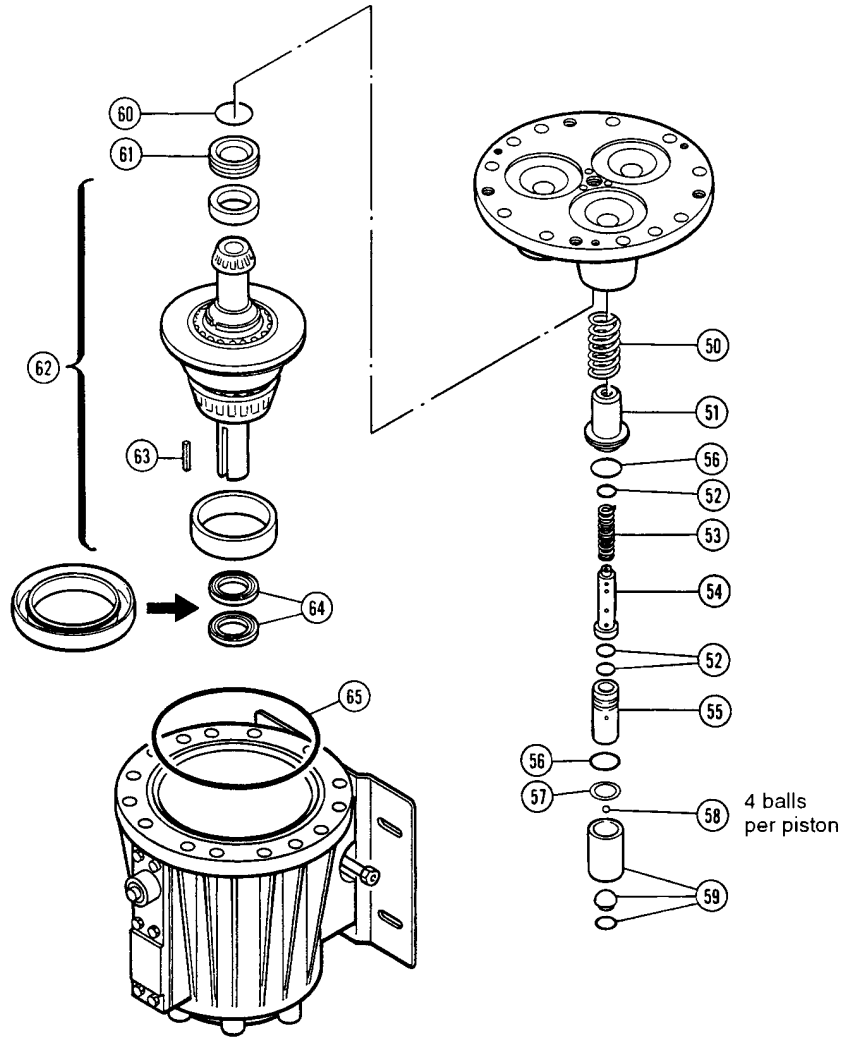
H-25-SD Fluid End

Ref #	Part Number	Description	Quantity/ Pump	Ref #	Part Number	Description	Quantity/ Pump
1	G25-081-2011	Cap Screw, socket-head, M12 x 1.25 x 140 mm	1	23	D25-016-1010	Plunger	3
2	G10-084-1010	Washer, 13 mm, flat	1	24	G25-082-2010	Set Screw, M6 x 1 x 16 mm	3
3	D25-135-2310	Valve Seat, polyurethane	6	25	G25-002-1010	Cylinder Casting	1
4	D25-038-2211	Plug, 316 SST	1		G25-002-1210	Cylinder Casting Assembly, Buna ¹	—
5	G25-024-2011	Cap Screw, socket-head, M10 x 1.5 x 180 mm	8	26	G10-087-2010	Cap Screw, socket-hd, M10 x 1.5 x 30 mm	4
6	G25-048-2010	Washer, split-lock, M10	20	27	D10-080-2110	O-ring, oil fill, Buna	1
7	D25-004-1054	Manifold, polypropylene	1	28	D03-039-1210	Cap, oil fill (includes breather)	1
	D25-004-1055	Manifold, Celcon	1	30	G25-001-1218	Pump Housing Assembly ²	—
8	D10-083-2110	O-ring, center manifold, Buna	1		G25-001-1228	Pump Housing ²	1
	D10-083-2111	O-ring, center manifold, Viton	1	31	G10-028-2010	Nut, hex, M10	8
	D10-083-2112	O-ring, center manifold, Neoprene	1	32	D25-076-2210	Elbow, 3/8"	1
	D10-083-2113	O-ring, center manifold, EPDM	1	33	D25-077-2210	Pipe, 3/8"	1
9	D25-073-2110	O-ring, inner manifold, Buna	1	34	D25-078-2210	Cap, 3/8"	1
	D25-073-2111	O-ring, inner manifold, Viton	1	35	D25-025-1010	Base	1
	D25-073-2112	O-ring, inner manifold, Neoprene	1	36	G25-054-2010	Washer, shakeproof, M10	4
	D25-073-2113	O-ring, inner manifold, EPDM	1	37	G25-029-2010	Cap Screw, Hex-hd, M10 x 1.5 x 25 mm	4
10	D25-109-2110	O-ring, outer manifold, Buna	1	39	G25-088-2010	Cap Screw, socket-hd, M6 x 1 x 45 mm	3
	D25-109-2111	O-ring, outer manifold, Viton	1	40	G25-106-2318	Gasket, cover	1
	D25-109-2112	O-ring, outer manifold, Neoprene	1	41	H25-105-1018	Cover, housing	1
	D25-109-2113	O-ring, outer manifold, EPDM	1	42	G25-090-2010	Cap Screw, hex-head	6
11	D25-035-2160	O-ring, valve seat, Buna	6	43	D25-100-1011	Support, manifold	1
	D25-035-2161	O-ring, valve seat, Viton	6	44	D25-140-2310	Washer, polyurethane	6
	D25-035-2162	O-ring, valve seat, Neoprene	6	45	D25-136-1010	Shell, 17-4 HT SST	6
	D25-035-2163	O-ring, valve seat, EPDM	6	46	D25-139-1010	Crush Seal, UHMW polyethylene	6
12	D25-020-1020	Valve Seat Holder, 17-4 HT SST	6	47	D25-138-1010	Spacer, 17-7 HT SST	6
13	D25-021-3300	Valve, ceramic	6	48	D25-047-2110	O-ring, Buna	3
14	D25-022-3124	Valve Spring, Elgiloy	6				
15	D25-137-1010	Spacer, 17-7 HT SST	6				
16	D25-023-2330	Retainer, valve spring, Celcon	6				
17	D25-141-2310	Washer, polyurethane	6				
18	D25-003-1060	Valve Plate, polypropylene	1				
	D25-003-1061	Valve Plate, Celcon	1				
19	D25-030-2010	Screw, flat-head mach., 5/8", 316 SST	3				
20	D25-047-2110	O-ring, follower, Buna	3				
	D25-047-2111	O-ring, follower, Viton	3				
	D25-047-2112	O-ring, follower, Neoprene	3				
	D25-047-2113	O-ring, follower, EPDM	3				
21	D25-017-1010	Follower, 316 SST	3				
22	D25-018-2310	Diaphragm, Buna-N	3				
	D25-018-2311	Diaphragm, Viton	3				
	D25-018-2312	Diaphragm, Neoprene	3				
	D25-018-2313	Diaphragm, EPDM	3				
	D25-018-2315	Diaphragm, Viton-Xt	3				
	D25-018-2320	Diaphragm, Buna-N-XS	3				

¹ Cylinder Casting Assembly includes casting (25), bearing cup, adjusting plate (61), O-ring (60), and set screws (24).

² Pump Housing Assembly includes housing (30), drain plug (32, 33, 34), and bearing cup. Pump Housing includes cover (41), gasket (40), and screws (42).

H-25-SD Hydraulic End



H-25-SD Hydraulic End

Ref #	Part Number	Description	Quantity/ Pump
50	D25-019-3111	Spring, piston return	3
51	D25-042-1010	Retainer, spring	3
52	D25-046-2110	O-ring, valve cylinder, Buna	9
53	D25-045-3110	Spring, sleeve valve	3
54	D25-044-1010	Valve Plunger	3
55	D25-043-1010	Cylinder, valve	3
56	D25-034-2110	O-ring, Buna	6
57	D25-041-1010	Washer, ball retainer	3
58	D25-015-3010	Ball, 1/4"	12
59	D25-014-1209	Piston, with foot and retainer	3
	D25-014-1210	Piston Assembly, Buna ¹	-
60	D25-075-2110	O-ring, bearing adjusting plate, Buna	1
61	D25-012-1010	Bearing Adjusting Plate	1
62	H25-007-1210	Cam Assembly ² , 20 GPM @ 1050 RPM	1
	H25-007-1212	Cam Assembly ² , 12 GPM @ 1200 RPM	1
	H25-007-1213	Cam Assembly ² , 16 GPM @ 1200 RPM	1
	H25-007-1214	Cam Assembly ² , 20 GPM @ 1200 RPM	1
63	D25-085-2210	Key, shaft	1
64	H25-031-2112	Seal, Buna, 1-1/8"	2
65	H25-037-2110	O-ring, pump housing, Buna	1
-	H25-111-2401	Label, caution	1

¹ Piston Assembly includes cylinder, foot, valve plunger, O-rings, spring retainer, and springs (50-59).

² Cam Assembly includes cam, shaft, wobble plate, and bearings. It is only available as an assembly.

H-25-SD Series Replacement Parts Kits

Ordering Information

A complete H-25-SD Replacement Parts Kit contains 11 digits including 6 customer-specified material options: for example H25K56GRCEC

1 H 2 2 3 5 4 5 5 6 6 7 8 9 10 11

4 Kit Designator

- K** Complete Fluid End Kit
- D** Diaphragm Kit
- V** Valve Kit (diaphragm not included)
- W** Seal & Spring Kit (diaphragm not included)

7 Diaphragm & O-ring Material

- E** EPDM
- G** Viton®-XT
- N** Buna-N
- P** Neoprene
- T** Buna-N-XS

8 Valve Seat Material

- R** Urethane and Stainless Steel
- X** Not included in Diaphragm Kit

9 Valve Material

- C** Ceramic
- X** Not included in Diaphragm Kit or Spring & Seal Kit

10 Valve Springs

- E** Elgiloy®
- X** Not included in Diaphragm Kit

11 Valve Spring Retainers

- C** Celcon
- X** Not included in Diaphragm Kit

Kit Contents

Part Number*	Description	Qty	Kit Designator			
			K	D	V	W
D25-018-__	Diaphragm	3	•	•		
D25-047-__	O-ring, follower	3	•	•		
D25-109-__	O-ring, outer manifold	1	•	•	•	•
D25-073-__	O-ring, inner manifold	1	•	•	•	•
D10-083-__	O-ring, center manifold	1	•	•	•	•
D25-135-2310	Valve seat, polyurethane	6	•		•	•
D25-035-__	O-ring, valve seat	6	•		•	•
D25-020-1020	Holder, valve seat	6	•		•	
D25-021-3300	Valve, ceramic	6	•		•	
D25-022-3124	Valve spring, Elgiloy	6	•		•	•
D25-137-1010	Spacer	6	•		•	
D25-023-2330	Retainer, valve spring	6	•		•	
D25-140-2310	Washer, polyurethane	6	•		•	•
D25-141-2310	Washer, polyurethane	6	•		•	•
D25-136-1010	Shell	6	•		•	
D25-139-1010	Crush seal	6	•		•	•
D25-138-1010	Spacer	6	•		•	
A01-113-3400	Threadlocker	1	•	•		

* Last four digits of part numbers with ____ refer to specific material of construction.



WANNER ENGINEERING, INC.

1204 Chestnut Avenue, Minneapolis, MN 55403
 TEL: (612) 332-5681 FAX: (612) 332-6937
 TOLL-FREE FAX [US only]: (800) 332-6812

www.hydra-cell.com

email: sales@wannereng.com

Document Fax Back System (510) 745-0440