

I Applications

The DIN-TEX is a sanitary high capacity centrifugal pump (up to 1000m³/h).

It is designed to work with a basic or semi-finished product.

Its applications include processes of the food-processing industry, wine making or textile and chemical industries which are not characterised by strict hygienic requirements.

Owing to the high flow, the pump is also suitable for the transfer of cleaning solutions.

I Operating principle

Housed inside the casing, the impeller rotates in conjunction with the pump shaft.

With this arrangement, the impeller blades convey energy to the fluid in the form of kinetic energy and pressure energy.

This pump is not reversible by a simple reversal of the direction of rotation. The direction of rotation is clockwise when the pump is viewed from the rear side of the motor.

I Design and features

8 mm cold-formed plate casing with volute.

Flanges: PN16 according to DIN 2633.

Double-curvature impeller with blades on the rear side to reduce the axial thrust.

Axial adjustment of the impeller (bare shaft version).

Single mechanical seal according to EN12756 L1K.

Fully drainable pump.

IEC B3 (B35 close-coupled models) motors, IP55, F-class insulation.

Drain port: G ½" (BSP).

I Materials

Parts in contact with pumped media

AISI 316L

Lantern and bearing support

GG-22

Gaskets (standard)

EPDM according to FDA 177.2600

Mechanical seal (standard)

SiC/C/EPDM

Internal surface finish of the casing and impeller

Blasted

External surface finish

Blasted

I Options

Close-coupled construction for model 250.

SiC/SiC mechanical seal for abrasive media.

Back-to-back pressurised or flushed double mechanical seal.

Gaskets: FPM(Viton®) and PTFE.

Motor shroud.

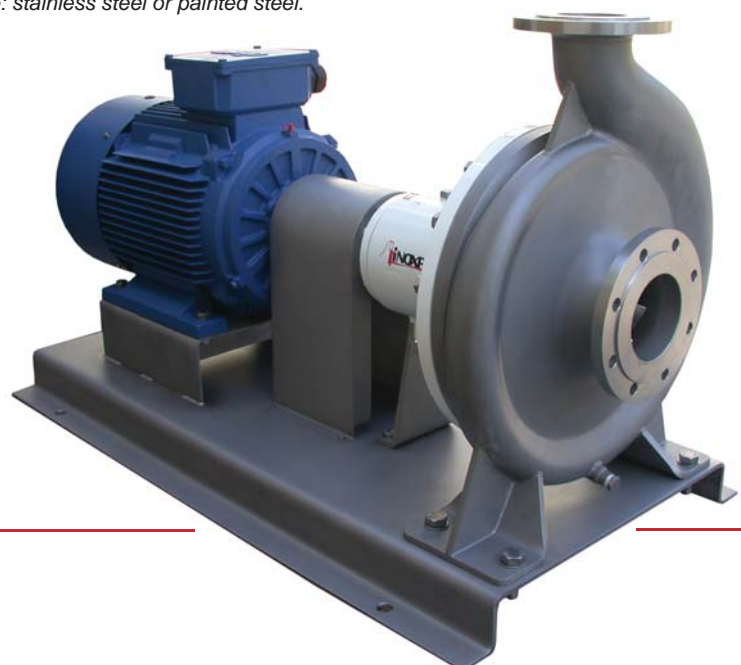
Motors with other protections.

Baseplate: stainless steel or painted steel.

Flanges PN16 DIN 2633



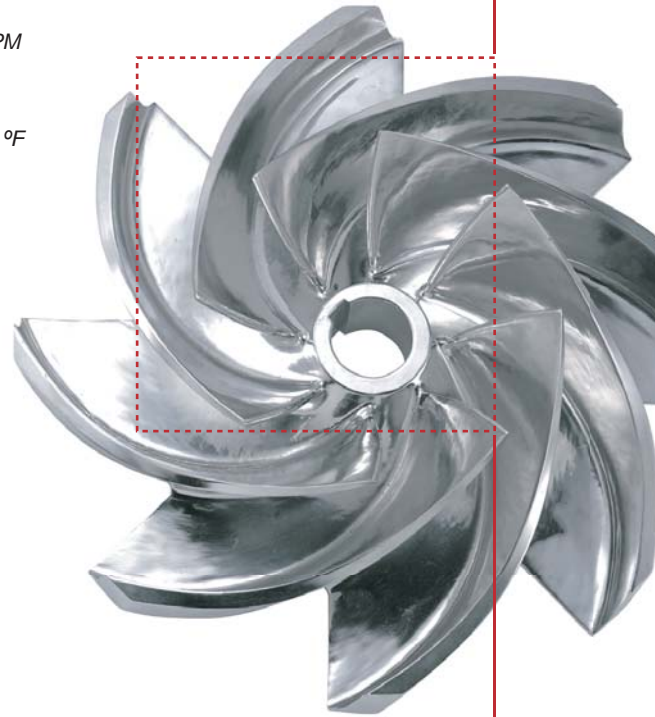
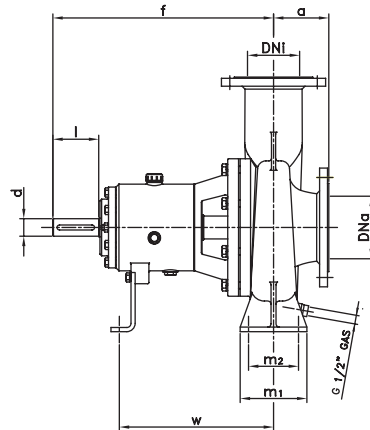
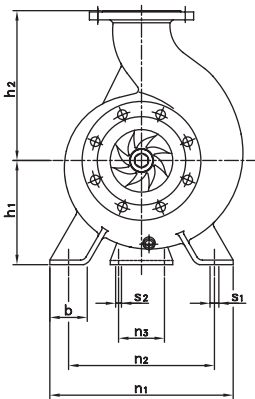
Drain port G ½"



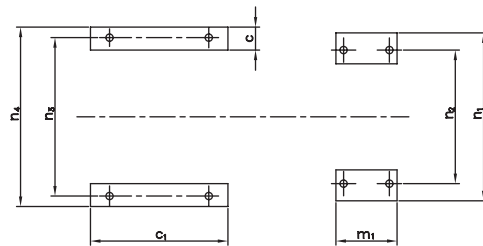
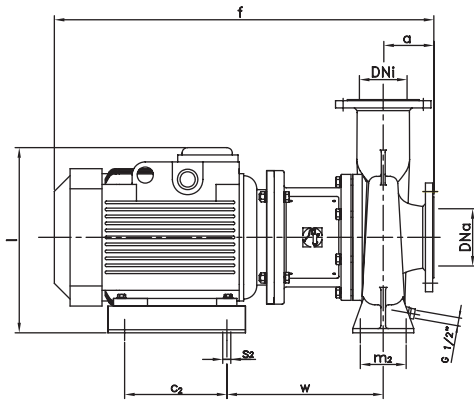
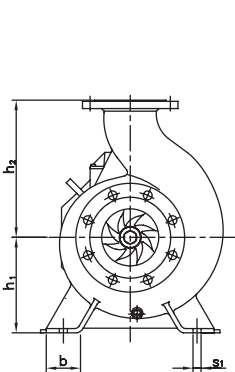
I Technical specifications

Max. flow	1000 m ³ /h	4403 US GPM
Max. differential head	90 mwc	295 ft
Max. working pressure	10 bar	145 PSI
Working temperature	-10 °C to +120 °C (EPDM)	14 °F to 248 °F
	+140 °C (SIP, max. 30 min)	284 °F
Max. speed	1800 rpm	
	3600 rpm (model 125-100-250/2)	

I General dimensions



Pump	DNa	DNi	d	l	a	f	h1	h2	b	m1	m2	n1	n2	n3	s1	s2	w
125-100-250	125	100	42	110	126	522	250	323	90	160	120	440	350	110	18	14	363
125-100-315					280	358	490	400				350					
125-100-400	150	125	42	110	135	510	330	408	100	200	150	550	450	110	23	14	370
150-125-250					133	530	250	360				90	440				350
150-125-315					142	518	280	377	200	150	490	400	110	23	14	358	
150-125-400	145	330	426	100	550	450											
200-150-250	200	150	42	110	150	537	250	380	90	200	150	440	350	110	14	18	378
200-150-315			48		160	670	280	405				490	400				140
200-150-400			667		330	456	100	550	450	500	498						



Pump	Motor	DNa	DNi	a	f	h1	h2	b	c	c1	c2	l	m1	m2	n1	n2	n3	n4	s1	s2	w
125-100-250	160	125	100	126	855	323	90	68	360	260	460	160	120	440	350	415	470	18	18	342	
	180																				935
150-125-250	160	150	125	133	870	360	90	68	360	260	460	160	120	440	350	415	470	18	18	349	
	180																				950
200-150-250	180	200	150	150	975	380	68	88	400	305	585	210	150	600	545	545	600	23	23	381	
	200																				1015



The information is for guidance only. We reserve the right to modify any material or feature without notice in advance. Photos are not binding. For further information, please, consult our web site. www.inoxpa.com

