



I Application

A flat sight glass consists of a glass fastened by means of a sanitary DIN union. Sight glasses are fitted to tanks to enable the inspection of the product, level, course of the process, etc. They are widely used in the food-processing, cosmetics, pharmaceutical and fine chemicals industries.

I Design and features

Glass fastened by a sanitary DIN union.
Welding connections DIN 11850.

I Materials

Body	AISI 316L (1.4404)
Glass	Tempered
Adapter gasket	NBR in compliance with FDA 177.2600
Glass support gasket	PTFE in compliance with FDA 177.2600
Surface finish	Sanitary polish, Ra ≤ 0,8 μm

I Options

Body: AISI 304.
Gaskets: EPDM, VMQ or FPM. All in compliance with FDA 177.2600.
Borosilicate glass in compliance with ISO 3585 and EN 1748 T1.
Double flat sight glass.

Double flat sight glass



I Technical specifications

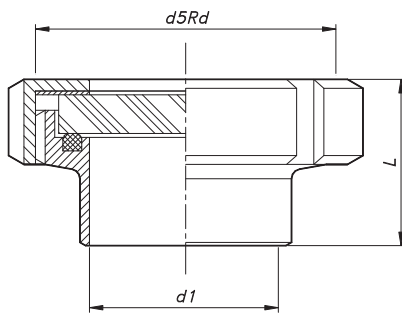
Available sizes	DN 25 - DN 150		
Max. working temperature	Gasket	NBR	-10 °C to +100°C 14 °F to 212 °F
	Glass	Tempered	240 °C 464 °F
		Borosilicate	300 °C 572 °F

Max. working pressure [bar]:

DN	25	32	40	50	65	80	100	125	150
Sight glass with tempered glass	40	40	40	25	25	25	15	10	8
Sight glass with borosilicate glass					15	12	7	4	2

(Temperature and pressure values are approximate and may vary depending on product, gasket type and glass thickness)

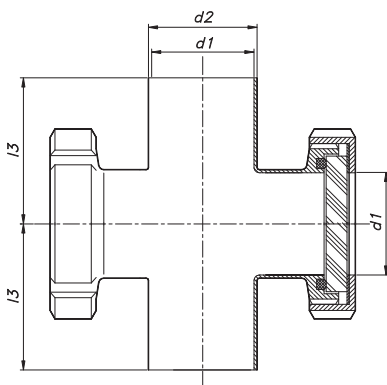
I Dimensions



Weld for metric pipe according to DIN 11850

DN	ød1	d5Rd	L	AISI 316L
25	26	52x1/6	33	L0805-000640025
32	32	58x1/6	36	L0805-000640032
40	38	65x1/6	41	L0805-000640040
50	50	78x1/6	43	L0805-000640050
65	66	95x1/6	48	L0805-000640065
80	81	110x1/4	55	L0805-000640080
100	100	130x1/4	66	L0805-000640100
125	125	160x1/4	57	L0805-000640125
150	150	190x1/4	60	L0805-000640150

(Dimensions in mm)



Weld for metric pipe according to DIN 11850

DN	ød1	ød2	l3	AISI 316L
25	25	28	50	L0821-000640025
32	31	34	55	L0821-000640032
40	37	40	60	L0821-000640040
50	49	52	70	L0821-000640050
65	66	70	80	L0821-000640065
80	81	85	90	L0821-000640080
100	100	104	100	L0821-000640100

(Dimensions in mm)



The information is for guidance only. We reserve the right to modify any material or feature without notice in advance. Photos are not binding. For further information, please, consult our web site. www.inoxpa.com

