



I Application

The KS/KSF pumps are sanitary progressive cavity pumps. Due to the design, they are self-priming and reversible pumps that can suck from a maximum height of 7 meters. These types of pumps transfer products of low and high viscosity as well as products containing particles.

They are widely used to pump edible oils, wine, concentrates and beverages in general as well as viscous food products such as jam and marmalade, pasta, pâté, etc. In the cosmetics industry, these pumps are used in applications involving various cosmetic products such as soaps, gels and creams.

I Operating principle

Friction between the rotor and the stator creates a vacuum in the inlet area promoting the entry of the product into the pump.

The rotor accompanies the product along the cavities created between the rotor and the stator up to the outlet.

I Design and features

Versions: bare shaft construction with bearing support (KS) or close-coupled construction with direct coupling to the drive (KSF).

Single internal mechanical seal: EN 12756 L1K.

Standard connections: DIN 11851 .

Open transmission (hygienic design).

Excentric outlet.

Painted white.

I Materials

Parts in contact with the product

AISI 316L

Other stainless steel parts

AISI 304

Lantern and bearing support

GG-25

Stator

Black NBR (according to FDA 177.2600)

Gaskets

NBR (according to FDA 177.2600)

Mechanical seal

Cer/C/NBR

Internal surface finish

Ra ≤ 0,8µm

External surface finish

bright polish

I Options

Connections: flanges, SMS, clamp, etc.

Double pressurized mechanical seal.

Mechanical seals SiC/C and SiC/SiC

Gland packing.

Stators: white EPDM (according to FDA 177.2600) and white NBR.

Gaskets: EPDM (according to FDA 177.2600).

Heavy-duty transmission.

Fixed transmission.

Stainless steel trolley.

Electrical panel.

Bypass pressure relief valve.

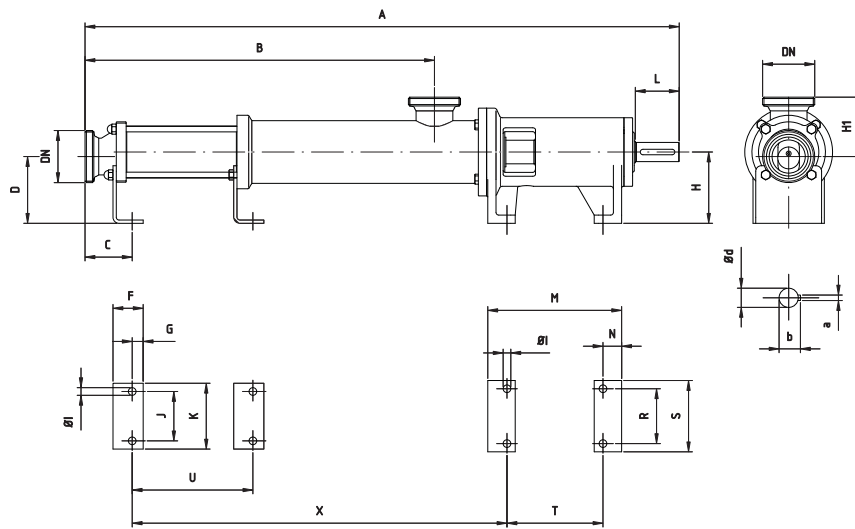
Cleaning port (CIP).



I Technical specifications

Maximum flow	45 m ³ /h	198 US GPM
Maximum working pressure:		
- single stage	6 bar	87 PSI
- double stage	12 bar	174 PSI
Maximum working temperature	85 °C (as per the certified quality)	185 °F
Maximum speed	1450 rpm	
Maximum viscosity	1.000.000 mPa.s.	

I General dimensions Kiber KS



Type	DN	d	L	a	b	A	B	C	D	F	G	H	H1	I	J	K	M	N	R	S	T	U	X	
KS-20	40	1½"	20	50	6	22,5	634	324	57	87	35	12	90	83	11	45	70	179	27	70	100	125	-	356
2KS-20	734						424	-															456	
KS-25	50	2"	25	60	8	27,9	796	439	62	107	40	15	110	93	11	60	90	204	32	90	120	140	-	481
2KS-25	888						531	-															573	
KS-30	50	2"	25	60	8	27,9	796	439	62	104	40	15	110	96	11	60	90	204	32	90	120	140	-	481
2KS-30	946						589	-															631	
KS-40	65	2½"	35	80	10	38,3	1083	637	86	122	55	20	130	108	14	90	120	244	34	100	130	175	-	683
2KS-40	1273						827	410															873	
KS-50	80	3"	35	80	10	38,3	1159	713	105	117	55	20	130	133	14	90	120	244	34	100	130	175	-	740
2KS-50	1413						967	531															994	
KS-60	100	4"	48	110	14	51,5	1403	860	100	146	60	20	160	149	18	130	170	271	38	150	190	195	-	932
2KS-60	1703						1160	630															1232	
KS-80	100	4"	48	110	14	51,5	1533	990	120	132	60	20	160	163	18	150	190	271	38	150	190	195	-	1042
2KS-80	1933						1390	840															1442	

Dimensions with DIN 11851 connections

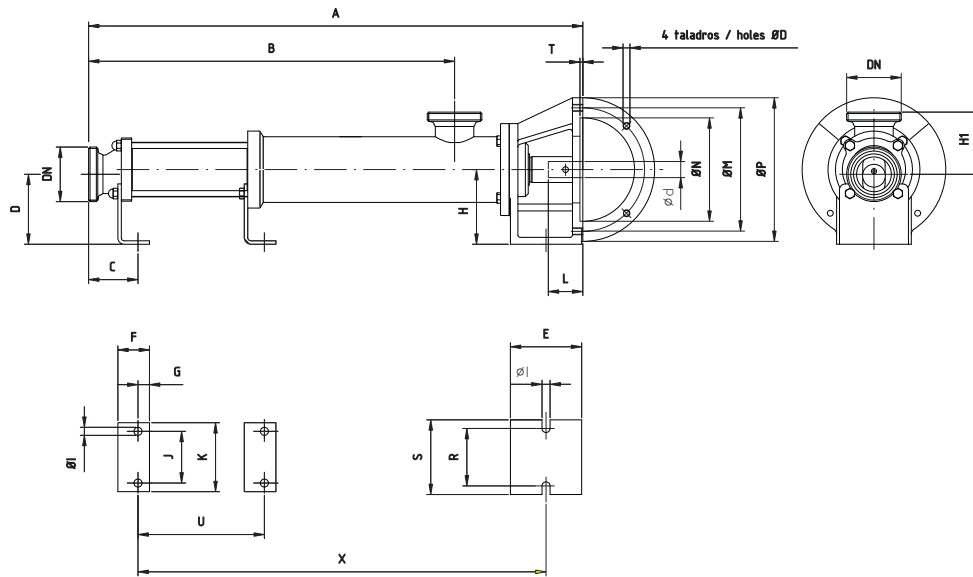


The information is for guidance only. We reserve the right to modify any material or feature without notice in advance. Photos are not binding. For further information, please, consult our web site. www.inoxpa.com



FT/KS KSF-1EN-1013

I General dimensions Kiber KSF



Type	DN	A	B	C	D	E	F	G	H	H1	I	J	K	R	S	U	X
KSF-20	40	489	324	57	87	101	35	12	90	83	11	45	70	70	100	-	381
2KSF-20	1½"	589	424													-	481
KSF-25	50	623	439	62	107	110	40	15	110	93	11	60	90	90	120	-	504
2KSF-25	2"	715	531													-	596
KSF-30	50	623	439	62	104	110	40	15	110	96	11	60	90	90	120	-	504
2KSF-30	2"	773	589													-	654
KSF-40	65	860	637	86	122	124	55	20	130	108	14	90	120	100	130	-	710
2KSF-40	2½"	1050	827													410	900
KSF-50	80	936	713	105	117	124	55	20	130	133	14	90	120	100	130	-	767
2KSF-50	3"	1190	967													534	1021
KSF-60	100	1115	860	100	146	121	60	20	160	149	18	130	170	150	190	-	953
KSF-80	100	1245	990	120	132	121	60	20	160	163	18	150	190	150	190	-	1063

Dimensions with DIN 11851 connections

Type	Drive coupling dimensions								
	d		L		D	M	N	P	T
	Min	Max	Min	Max					
KSF-20	19	24	42	52	M8	130	110	160	5
KSF-25	24	28	52	62	M10	165	130	200	5
KSF-30	24	28	52	62	M10	165	130	200	5
KSF-40	24	30	52	72	M12	215	180	250	5
KSF-50	24	30	52	72	M12	215	180	250	5
KSF-60	35	42	72	112	M12	265	230	300	5
KSF-80	35	42	72	112	M12	265	230	300	5



The information is for guidance only. We reserve the right to modify any material or feature without notice in advance. Photos are not binding. For further information, please, consult our web site. www.inoxpa.com



FT/KS KSF-1EN-1013