



SAER®

SPLIT CASE PUMPS

CENTRIFUGAL PUMPS

MULTISTAGE PUMPS

SUBMERSIBLE PUMPS

BORE HOLE PUMPS

SEWAGE AND WASTE WATER

**BOOSTER UNITS FOR DOMESTIC
AND INDUSTRIAL USE**



ITALIAN DESIGN • WORLD CLASS QUALITY • NATIONAL AVAILABILITY



ITALIAN DESIGN

From the home of design excellence and with over 50 years experience in creating and manufacturing centrifugal, surface and submersible pumps and motors, SAER have a true pedigree within the industry.

WORLD CLASS QUALITY

Combining cutting edge materials together with centralised manufacture in Italy, all SAER pumps and motors are constructed to the highest quality ensuring reliable operation throughout the range.

NATIONAL AVAILABILITY

With an extensive distribution network throughout Europe SAER ensure national availability for all your pumping requirements together with technical advice and installation support from a dedicated team of pump specialists.

For details of your nearest SAER distributor ☎ + +39 (0)522 830941 or e-mail: info@saer.it

PRODUCT DATA AND TECHNICAL SPECIFICATIONS



Extensive product data portfolio.

For further information on the SAER range of pumps and motors log on to: www.saerpumpsuk.com where you will find extensive data sheets containing full model specifications.



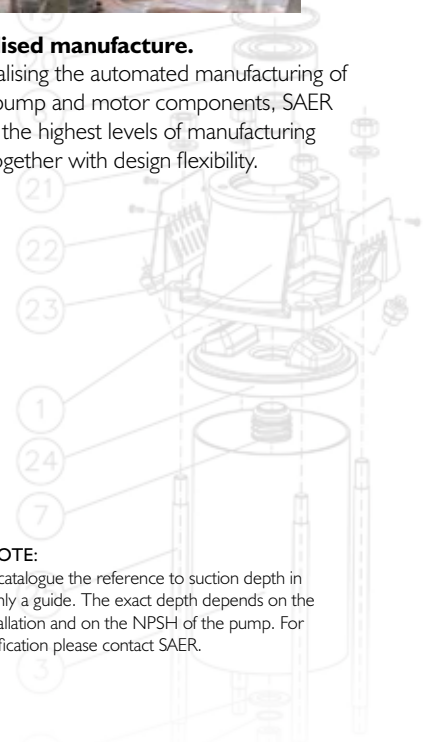
Research and design development.

SAER's research and development department is creating new pumps with greater hydraulic efficiency as well as reduced energy consumption.



Centralised manufacture.

By centralising the automated manufacturing of all their pump and motor components, SAER maintain the highest levels of manufacturing quality together with design flexibility.



PLEASE NOTE:

Within this catalogue the reference to suction depth in metres is only a guide. The exact depth depends on the specific installation and on the NPSH of the pump. For further clarification please contact SAER.

KF

Peripheral pumps



APPLICATION:

- For domestic use with clean water
- To maintain high pressures within small capacities

Capacity Q	3 ÷ 4,2 m ³ /h
Head H	82 ÷ 18 m.w.c
Liquid t°	from -15°C to +70°C
Suction depth Hs	7 m

CMP/BP

Centrifugal monoblock pumps



APPLICATION:

- Industrial water supply
- Pressurised water using pressure vessels
- Circulation in heating
- Pumping slightly contaminated non-aggressive liquids (for BP series)

Capacity Q	3 ÷ 210 m ³ /h
Head H	57 ÷ 3 m.w.c
Liquid t°	from -15°C to +120°C
Suction depth Hs	7 m

M94/M97/M99/M600/M700

Self priming pumps with built-in ejector



APPLICATION:

- For domestic use with clean water
- Domestic irrigation

Capacity Q	0,6 ÷ 10 m ³ /h
Head H	60 ÷ 16 m.w.c
Liquid t°	from -15°C to +50°C
Suction depth Hs	up to 7 m

M92/M102/M202/M90/M153/M203

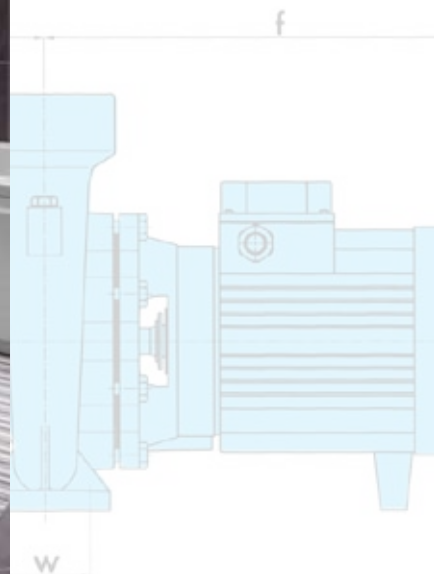
Self priming pumps with external ejector for deep wells 2"-4"



APPLICATION:

- Water supply from the deep wells (up to 45m depth)
- Domestic irrigation

Capacity Q	0,9 ÷ 6 m ³ /h
Head H	110 ÷ 27 m.w.c
Liquid t°	from -15°C to +50°C
Suction depth Hs	15 m



FC/CB

Centrifugal double-impeller pumps



APPLICATION:

- Pressurised water using pressure vessels
- Irrigation
- Pump available complete with booster unit

Capacity Q	1 ÷ 18 m ³ /h
Head H	93 ÷ 58 m.w.c
Liquid t°	from -15°C to +70°C
Suction depth Hs	7 m

OP32/OP40/OP50/OP65

Horizontal multistage pumps for high pressure systems



APPLICATION:

- Pressurised water using pressure vessels
- Irrigation
- Pump available complete with booster unit

Capacity Q	1 ÷ 40 m ³ /h
Head H	147 ÷ 17 m.w.c
Liquid t°	from 0°C to +90°C
Suction depth Hs	7 m

M50/M60/M70/M80/M150/M200/M300/M400

Self priming pumps with built-in ejector



APPLICATION:

- For domestic use with clean water
- Domestic irrigation

Capacity Q	0,6 ÷ 10 m ³ /h
Head H	60 ÷ 16 m.w.c
Liquid t°	from -15°C to +50°C
Suction depth Hs	7 m

CFP/CF

High pressure gear pumps



APPLICATION:

Varnish, thick oil, viscous liquids, glue, molasses, soaps, grease etc. However, the liquid must be free of any solid content

Capacity Q	0,2 ÷ 1,2 m ³ /h
Head H	120 ÷ 20 m.w.c
Liquid t°	or -15°C to +60°C
Suction depth Hs	up to 8 m

PLEASE NOTE:

This pump is not suitable for flammable liquids.



IR/IR4P

Closed coupled end-suction centrifugal pumps



APPLICATION:

- Circulation in heating systems
- Industrial irrigation
- Maintains high pressure in industrial and municipal water supply

Capacity Q	3 ÷ 450 m ³ /h
Head H	95 ÷ 6 m.w.c
Liquid t°	from -15°C to +120°C
Suction depth Hs	-

IRX/NCBZX/MGX/MGM/IRM/NCBZM

Closed coupled end-suction centrifugal pumps in stainless steel and marine bronze



APPLICATION:

- For pumping chemically aggressive liquids

PLEASE NOTE:
4 pole versions of these pumps are also available.

Capacity Q	3 ÷ 450 m ³ /h
Head H	95 ÷ 6 m.w.c
Liquid t°	to +120°C
Suction depth Hs	-

MGI/MG2

Centrifugal monoblock with stub shaft



APPLICATION:

- Circulation in heating systems
- Industrial irrigation
- Maintains high pressure in industrial and municipal water supply

Capacity Q	6 ÷ 255 m ³ /h
Head H	102 ÷ 10 m.w.c
Liquid t°	from -15°C to +120°C
Suction depth Hs	5 m

AP/AS

Self priming electric pumps and motor powered pumps for contaminated liquids

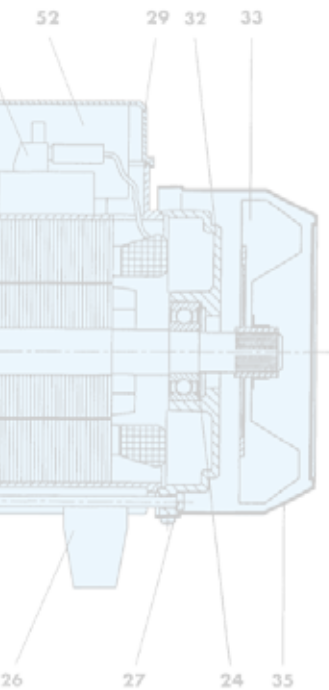


APPLICATION:

- Priming of contaminated water from basins, canals, rivers and lakes



Capacity Q	6 ÷ 30 m ³ /h
Head H	15 ÷ 3 m.w.c
Liquid t°	from -15°C to +70°C
Suction depth Hs	5 m



NCB/NCBZ/NCBK

Centrifugal end suction pumps on a base

APPLICATION:

- Circulation in heating systems
- Industrial irrigation
- Maintains pressure in industrial and municipal water supply

PLEASE NOTE:

NCB is a bare shaft pump.

NCBZ is a complete pump and motor system mounted on to a base plate.

NCBK is a bare shaft pump.



Capacity Q	4 ÷ 1900 m ³ /h
Head H	102 ÷ 5 m.w.c
Liquid t°	from -15°C to +120°C

CWM/MK

Vertical multistage pumps

APPLICATION:

- Maintains high pressure in industrial and municipal water supply
- Irrigation
- Pump available complete with booster unit

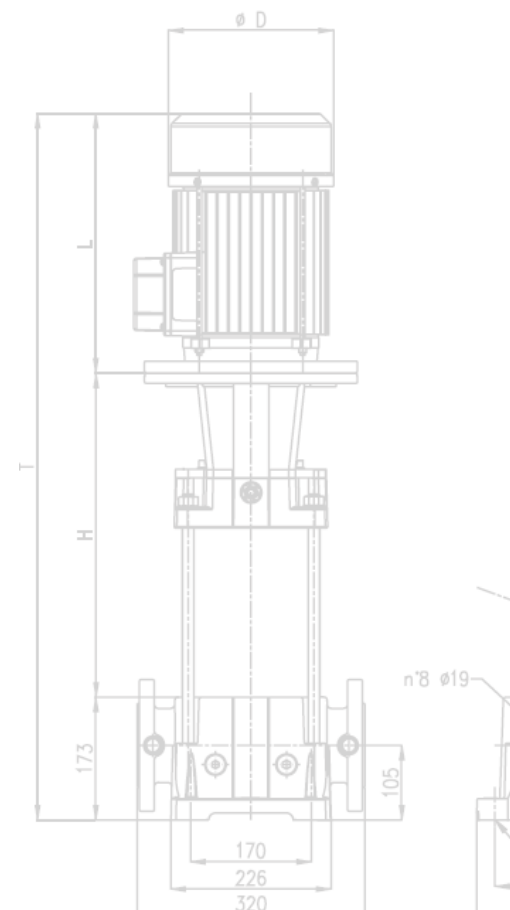
Capacity Q	10,8 ÷ 110 m ³ /h
Head H	332 ÷ 12 m.w.c
Liquid t°	from -15°C to +120°C

PLEASE NOTE:

A full stainless steel version of this pump is available.

This pump can be supplied without a motor.

An inverter option is also available.



TM/TMZ

Centrifugal multistage horizontal pumps in cast iron, stainless steel or bronze

APPLICATION:

- Industrial irrigation, heating, conditioning
- Maintains high pressure in industrial and municipal water supply



Capacity Q	40 ÷ 230 m ³ /h
Head H	403 ÷ 17,5 m.w.c
Liquid t°	from -15°C to +120°C

NCA/NCAZ

Bare shaft end suction waste water pumps



APPLICATION:

- Domestic, industrial and municipal waste and sewage water with solid particles and fibrous materials

Capacity Q	3 ÷ 1600 m ³ /h
Head H	95 ÷ 3 m.w.c
Liquid t°	from -10°C to +110°C

TEX/TEX-D

Submersible drainage pumps with open impeller



APPLICATION:

- For pumping out sewage, rain and groundwater from drain wells

Capacity Q	2 ÷ 39 m ³ /h
Head H	18 ÷ 2,1 m.w.c
Liquid t°	+35°C



Belarussian steel works - the biggest metal production plant in Eastern Europe.

SAER supplied two independent pumps with two inverters to cool the continuously flowing lines of hot metal.



SKD

Horizontal double suction split case pumps

APPLICATION:

- Industrial and municipal water supply
- Industrial irrigation, heating, conditioning
- Water transfer
- Fire fighting



Capacity Q	4500 m ³ /h
Liquid t°	+90°C (+120°C)

PD

Submersible drainage and waste water pumps for industrial applications

APPLICATION:

- For pumping domestic and municipal sewage and waste water
- For pumping out sewage, rain and groundwater from drain wells



Capacity Q	3 ÷ 516 m ³ /h
Head H	38 ÷ 1 m.w.c
Liquid t°	+35°C

Types of impellers:

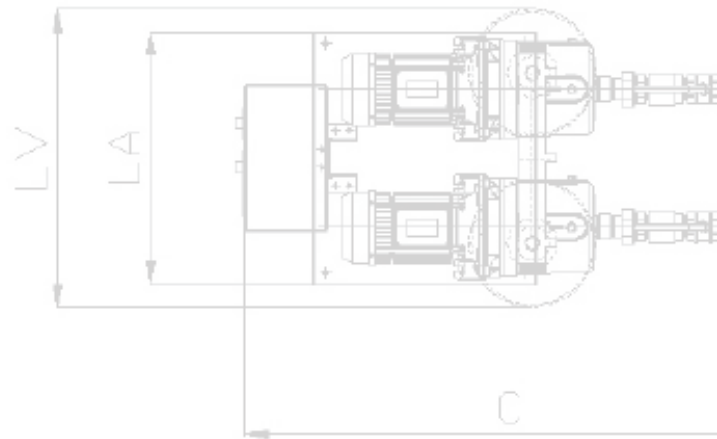
- Open, multi-channel, single channel, vortex with cutter open



AUTOMATIC LIFTING UNITS FOR DOMESTIC USE



Nominal power, kW	0,37 ÷ 2,2
Capacity Q	3 ÷ 4,2 m ³ /h
Head H	from -15°C to +50°C
Suction depth H _s	5 m



SWIMMING POOL PUMPS

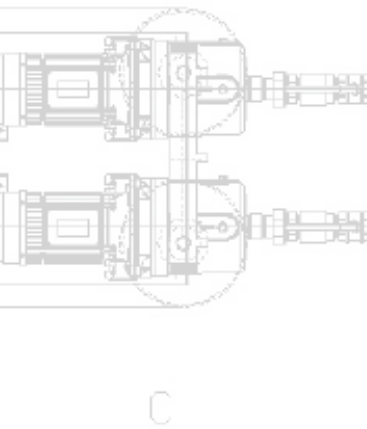


APPLICATION:

- Self priming pumps for swimming pools with a pre-filter for domestic and public pools
- For counter current swimming



Capacity Q	up to 220 m ³ /h
Head H	up to 22 m.w.c



BOOSTER SETS

APPLICATION:

- Pressurisation and distribution of water in civil, agricultural and industrial plants, heating plants, cooling, air conditioning and irrigation systems
- Complete with different types and quantities of pumps (from 1 to 6 units), horizontal and vertical, single and multistage impellers, in cast iron and in stainless steel
- Various types of the control panels: direct start, star/delta, soft start. Inverter control



SAER provided booster sets to Cuatro Torres Business Area, containing the tallest skyscrapers in Spain.

ELECTRIC CONTROL PANELS FOR CENTRIFUGAL AND WASTE WATER PUMPS



APPLICATION:

- For submersible deep well pumps
- For booster sets
- Heating
- Waste water

Applicable for 1 to 6 pumps

- Direct start
- Star/delta
- Soft starter
- Inverter control



SUBMERSIBLE DEEP WELL PUMPS

APPLICATION:

Suitable for lifting, pressurising and distribution in civil and industrial installations, autoclave and cistern inlets, washing plants, irrigation systems these pumps can be manufactured from cast iron, carbon steel, stainless steel AISI316 and marine bronze.

SAER submersible deep well pumps can be installed in both vertical or horizontal elevations (dependent on power supply). All SAER pumps and motors are manufactured in-house for maximum reliability. SAER only provide oil and water filled motors from 0,37kW to 300kW, all the motors are completely rewindable.

Pump FS98 is a special series specifically manufactured to offer high wear resistance which can be used for pumping water with sand up to 300g/m³.



Submersible deep well pump being installed in Egypt.



Centralised design and manufacture of components



Stock availability



Distribution capability



Una squadra vincente
SAER AND YOU - A WINNING TEAM

SAER[®]

SAER Elettropompe

Via Circonvallazione, 22
42016 Guastalla (RE), Italy

Tel: +39 0522 830941

Fax: +39 0522 826948

E-mail: info@saer.it

Web: www.saerelettropompe.com



ITALIAN DESIGN • WORLD CLASS QUALITY • NATIONAL AVAILABILITY