



NDP-40 Series Specifications

Port Dimensions

Intake & discharge connection:

Polypropylene (PPG)	1-1/2" 40mm DIN DN40 PN10
Kynar® (PVDF)	1-1/2" 40mm DIN DN40 PN10
Aluminum (ADC-12)	1-1/2" 40mm DIN DN40 PN10 (with tapped 1-1/2" 40mm Female BSPT)
Stainless Steel (316)	1-1/2" 40mm DIN DN40 PN10 or 1-1/2" 40mm Female BSPT
Cast Iron	1-1/2" 40mm Female BSPT
Air inlet (incl. ball valve):	1/2" 15mm Female BSPT
Air exhaust (incl. silencer):	1" 25 mm Female BSPT

Notes: Flange connections are also equivalent to JIS 10K 40A

Maximum Liquid Temperature*

Diaphragm Material	Temperature
Neoprene	82° C (180° F)
Buna N	82° C (180° F)
EPDM	100° C (212° F)
Hytrel® (TPEE)	120° C (248° F)
Santoprene® (TPO)	100° C (212° F)
Viton® fluoroelastomer	120° C (248° F)
Teflon® (PTFE)	100° C (212° F)

*The maximum liquid temperature for metal and Kynar®-fitted pumps is determined by the Elastomer (diaphragm material). Polypropylene and Groundable Acetal pumps have a maximum liquid temperature of 82° C (180° F) regardless of diaphragm material.

Air Supply Pressure (All Models)

1,4 - 7 BAR (20 - 100 PSI)

Discharge Volume Per Cycle

Rubber diaphragm: 2,74 liters (0,73 US gallons)

PTFE diaphragm: 1,40 liters (0,37 US gallons)

Maximum Cycles Per Minute:

Rubber diaphragm: 148

PTFE: diaphragm: 270

Maximum Size Solid

7 mm (9/32")

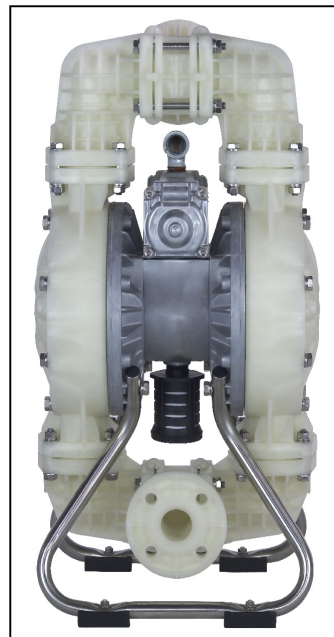
Maximum Dry Suction Lift

Rubber-fitted pump capability: 5,5 m (18 feet)

Aluminum Air Motor-Standard

Optional: Epoxy-coated, Teflon®-coated, or Electroless Nickel Plate

All Polypropylene, Aluminum, Cast Iron, and SS Hytrel® fitted pumps include PTFE check balls & wetted o-rings and Santoprene® fitted pumps include EPDM check balls & wetted o-rings. Kynar® (PVDF) pumps fitted with Santoprene®, Hytrel®, or Teflon® include Teflon® check balls & o-rings. Kynar®/EPDM fitted pumps include EPDM check balls & o-rings and Viton® fitted include Viton® balls & o-rings.



Kynar® (PVDF)

Dimensions: 405mm W x 752mm H

Net Wt.: 32 kg (71lbs.)

Shipping Wt.: 40,5 kg (89 lbs.)

Polypropylene

Dimensions: 405mm W x 752mm H

Net Wt.: 27 kg (60 lbs.)

Shipping Wt.: 35,5 kg (78 lbs.)

Stainless Steel

Dimensions: 411mm W x 705mm H

Net Wt.: 43 kg (95 lbs.)

Shipping Wt.: 51,5 kg (114 lbs.)

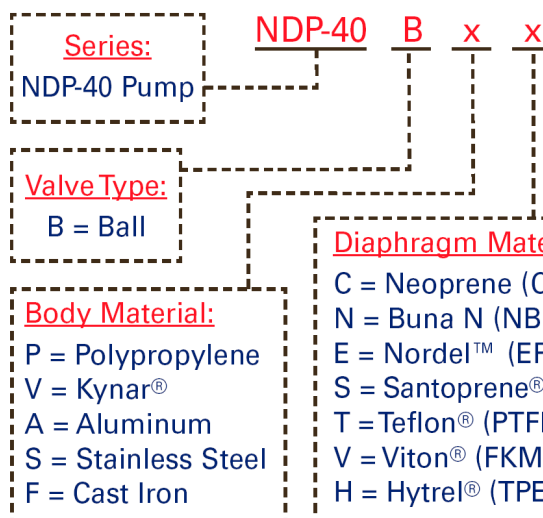
Cast Iron - NPT

Dimensions: 411mm W x 704mm H

Net Wt.: 47 kg (104 lbs.)

Shipping Wt.: 55,5 kg (122 lbs.)

Model Number Nomenclature

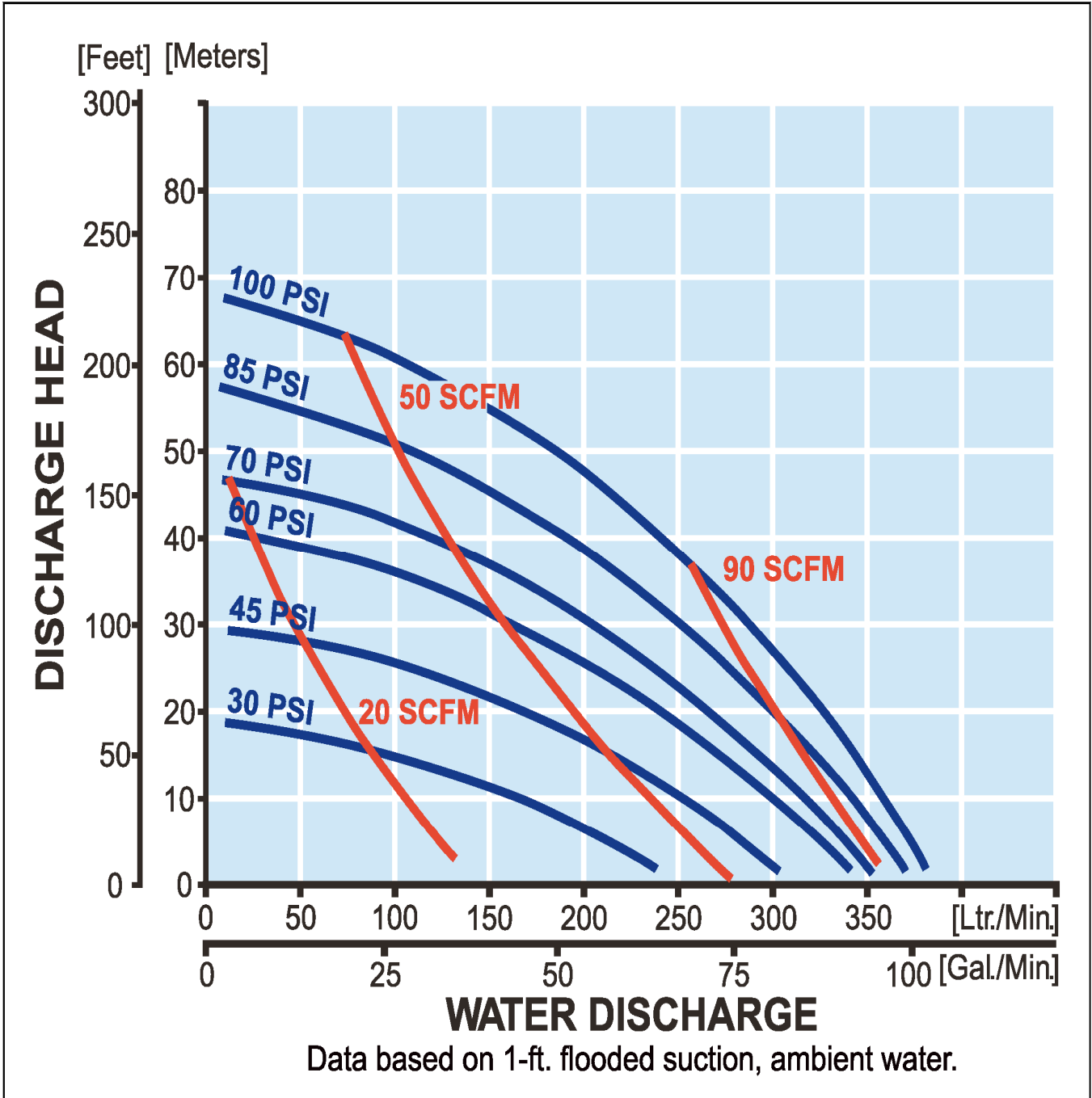


Note: For NPT-fitted Stainless Steel, add "NPT" at end of model number nomenclature.



NDP-40 Performance Curve - Rubber

All Diaphragm Materials

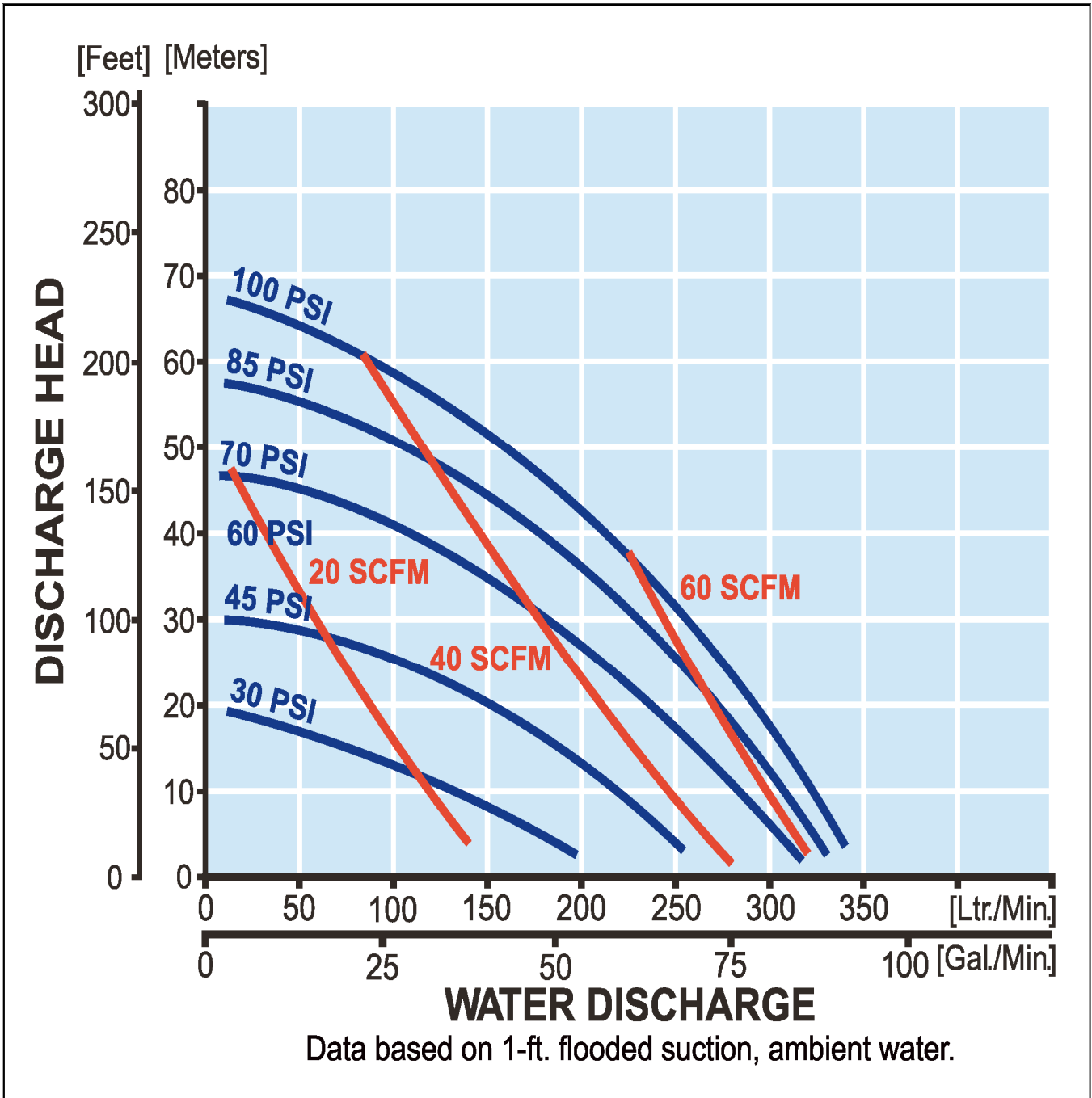


To calculate performance for Santoprene® and Hytrel®-fitted pumps, use Rubber Diaphragm Curve.

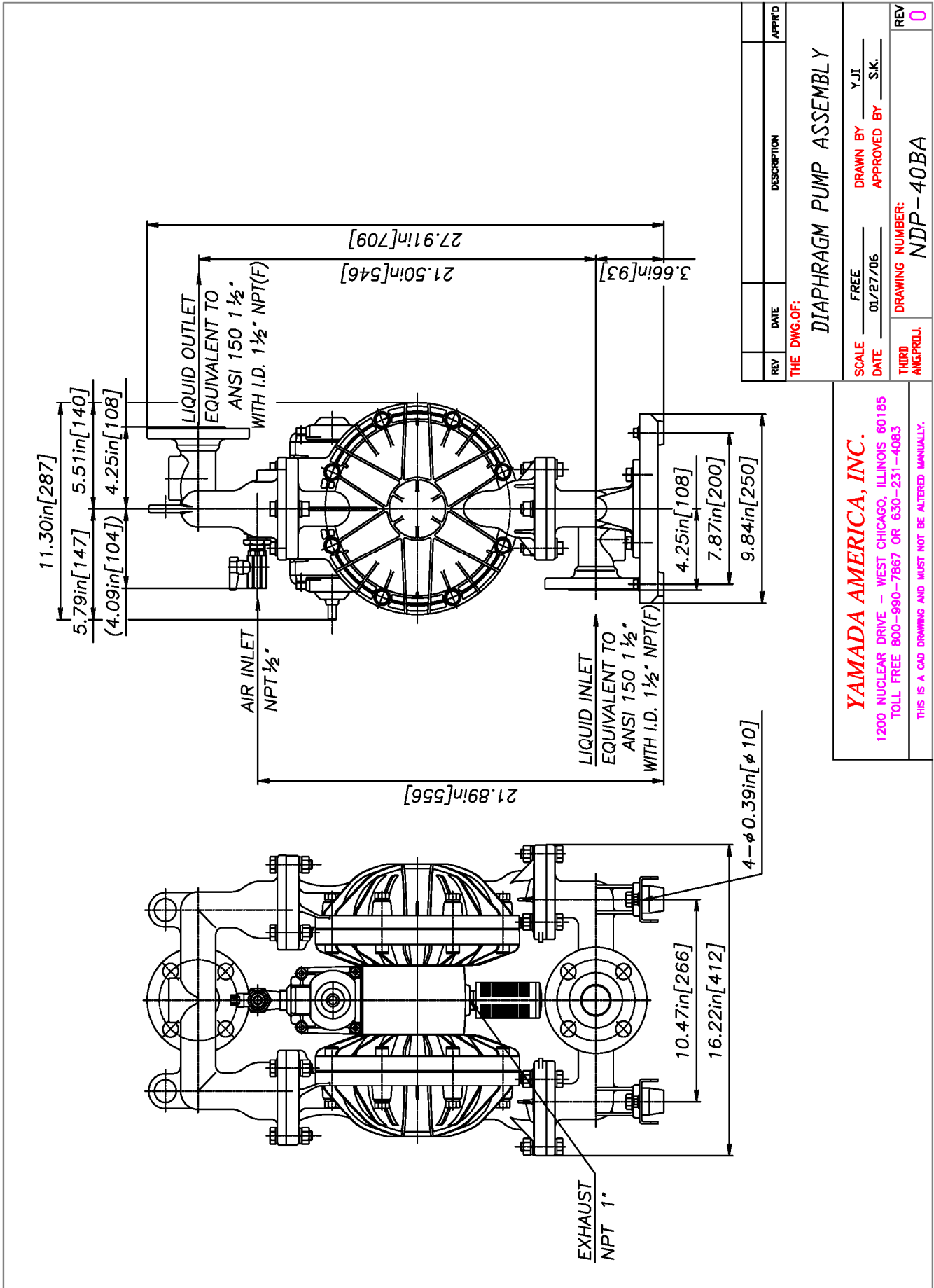


NDP-40 Performance Curve - PTFE

All Diaphragm Materials



To calculate performance for Santoprene® and Hytrel®-fitted pumps, use Rubber Diaphragm Curve.

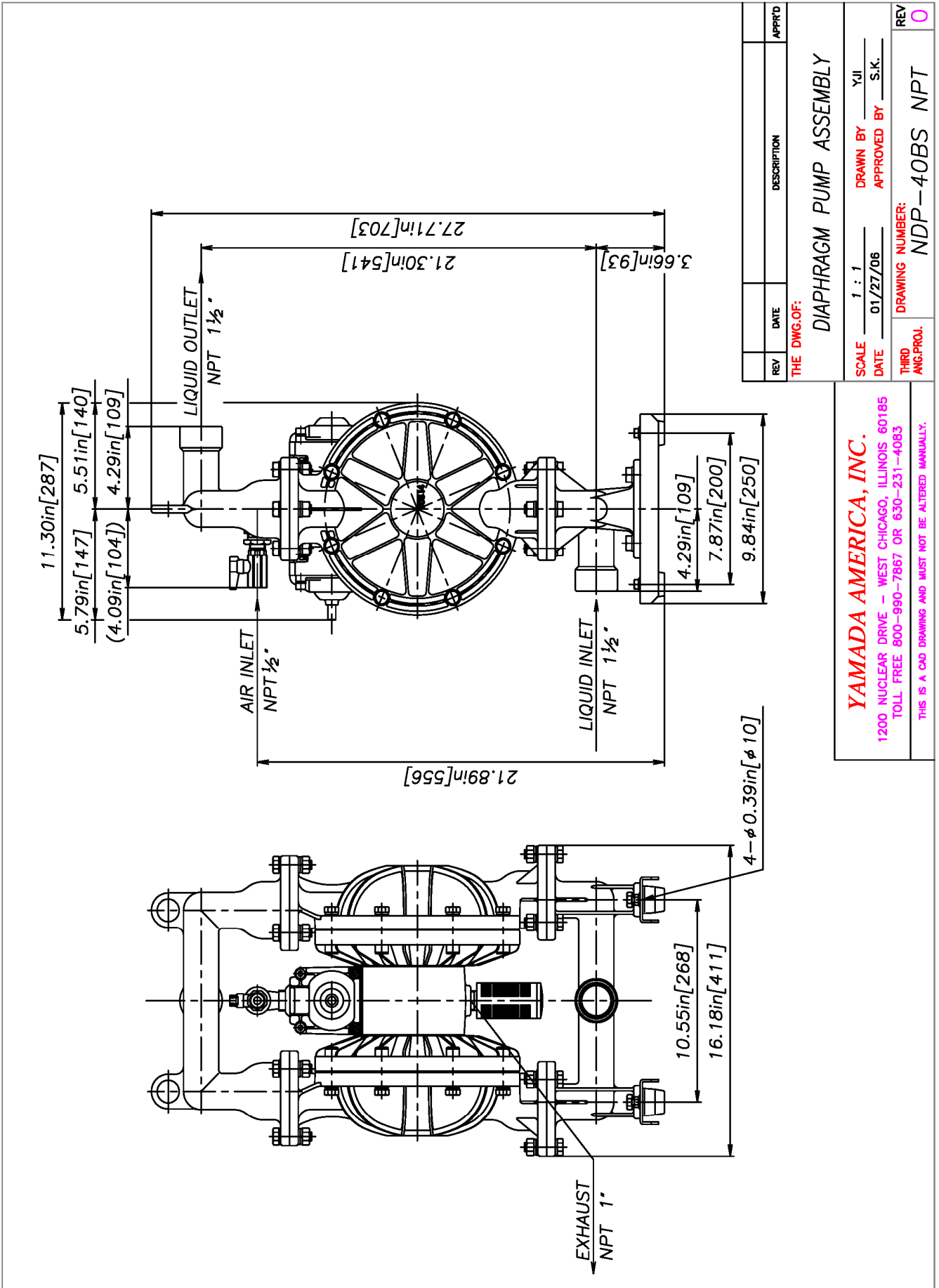


REV	DATE	DESCRIPTION	APPR'D

THE DWG. OF: **DIAPHRAGM PUMP ASSEMBLY**

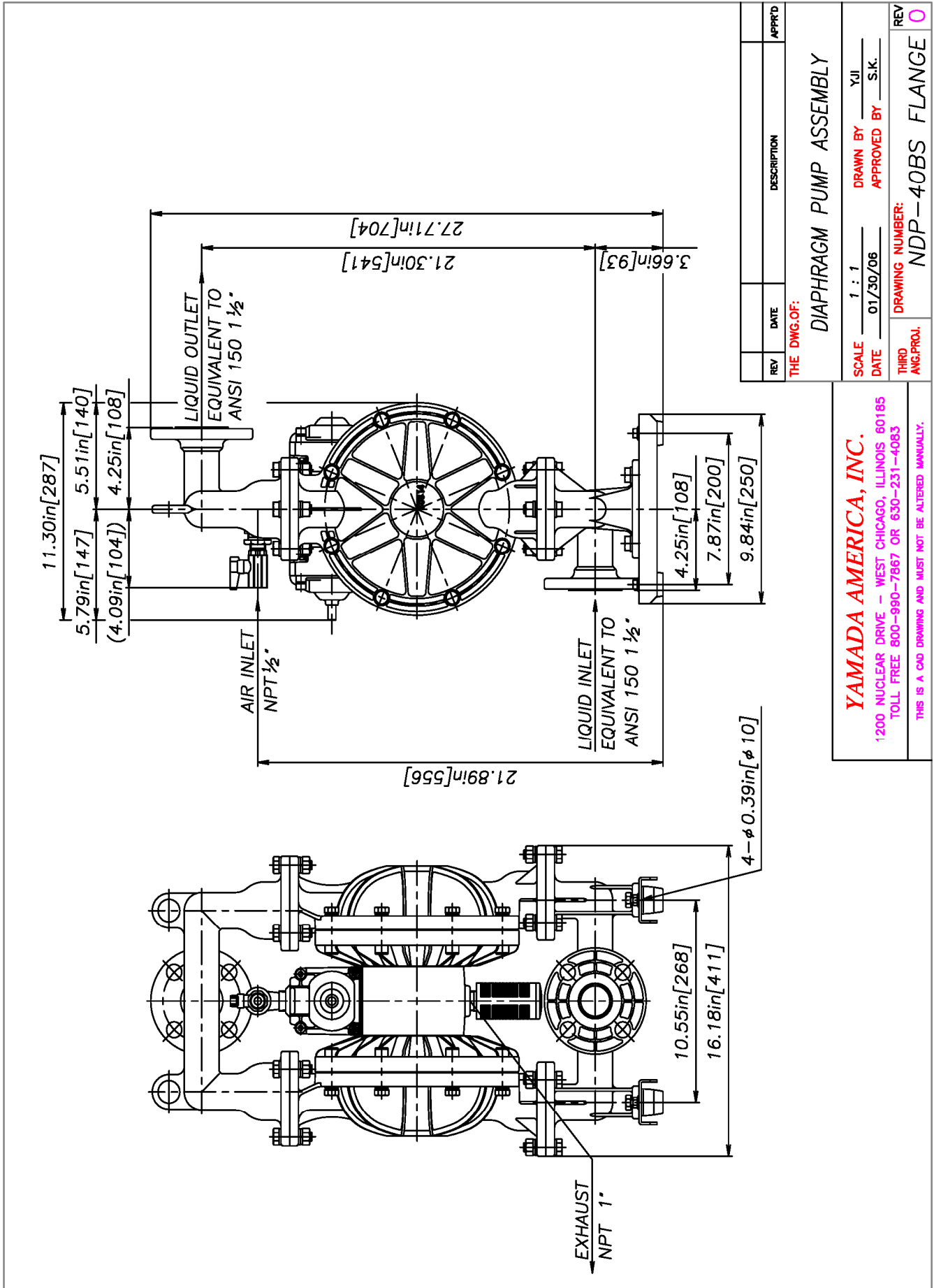
SCALE	FREE	DRAWN BY	Y.JI
DATE	01/27/06	APPROVED BY	S.K.
THIRD ANGRPROL.	DRAWING NUMBER:	NDP-40BA	
REV	0		

YAMADA AMERICA, INC.
 1200 NUCLEAR DRIVE - WEST CHICAGO, ILLINOIS 60185
 TOLL FREE 800-990-7867 OR 630-231-4083
 THIS IS A CAD DRAWING AND MUST NOT BE ALTERED MANUALLY.



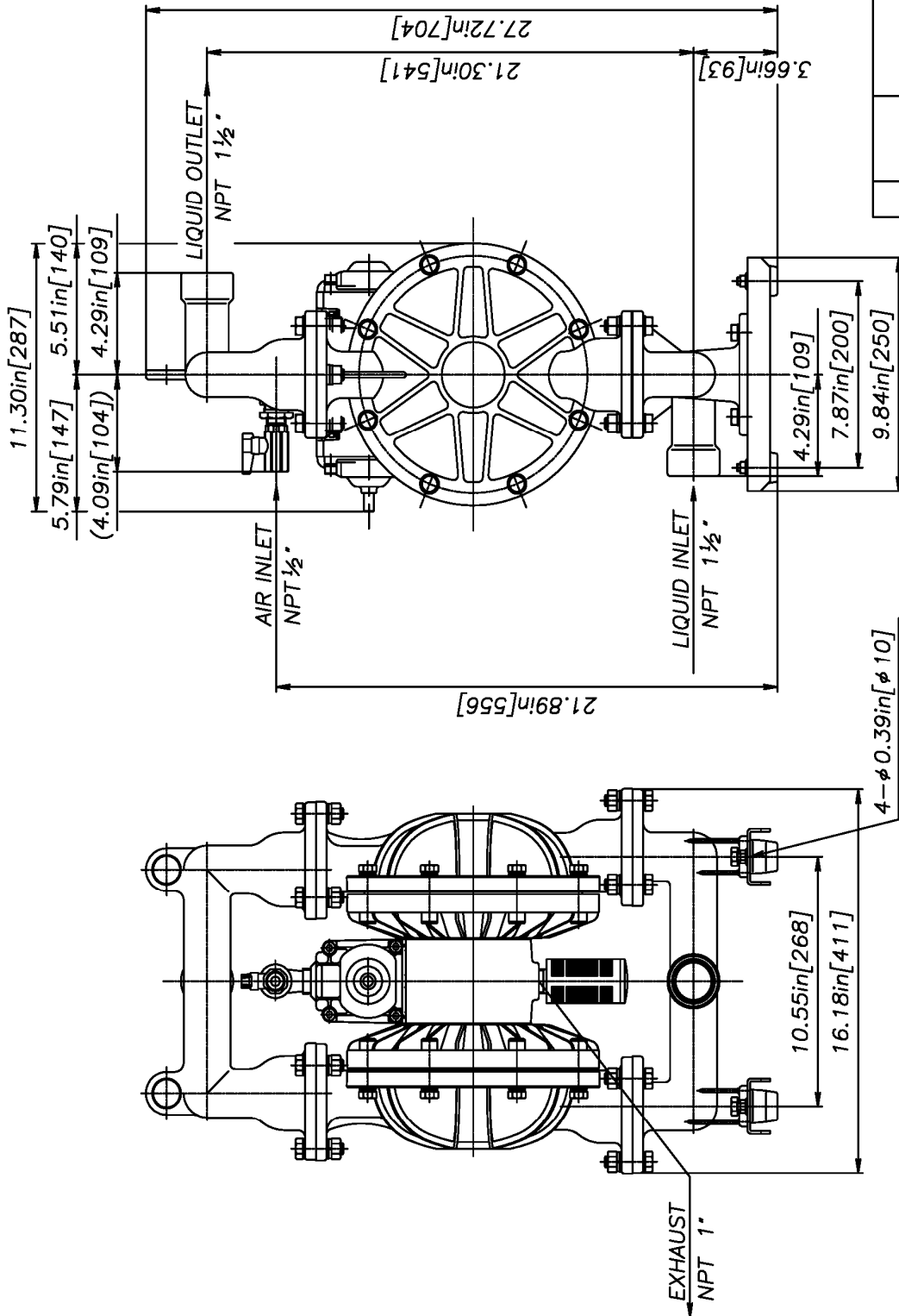
REV	DATE	DESCRIPTION	APPR'D
THE DWG. OF:			
DIAPHRAGM PUMP ASSEMBLY			
SCALE 1 : 1		DRAWN BY YJI	
DATE 01/27/06		APPROVED BY S.K.	
THIRD ANG. PROJ.	DRAWING NUMBER: NDP-40BS	NPT	REV 0

YAMADA AMERICA, INC.
 1200 NUCLEAR DRIVE - WEST CHICAGO, ILLINOIS 60185
 TOLL FREE 800-990-7867 OR 630-231-4083
 THIS IS A CAD DRAWING AND MUST NOT BE ALTERED MANUALLY.



REV	DATE	DESCRIPTION	APPR'D
THE DWG. OF:			
DIAPHRAGM PUMP ASSEMBLY			
SCALE	1 : 1	DRAWN BY	YJI
DATE	01/30/06	APPROVED BY	S.K.
THIRD ANG. PROJ.	DRAWING NUMBER:		NDP-40BS FLANGE
REV			0

YAMADA AMERICA, INC.
 1200 NUCLEAR DRIVE - WEST CHICAGO, ILLINOIS 60185
 TOLL FREE 800-990-7867 OR 630-231-4083
 THIS IS A CAD DRAWING AND MUST NOT BE ALTERED MANUALLY.

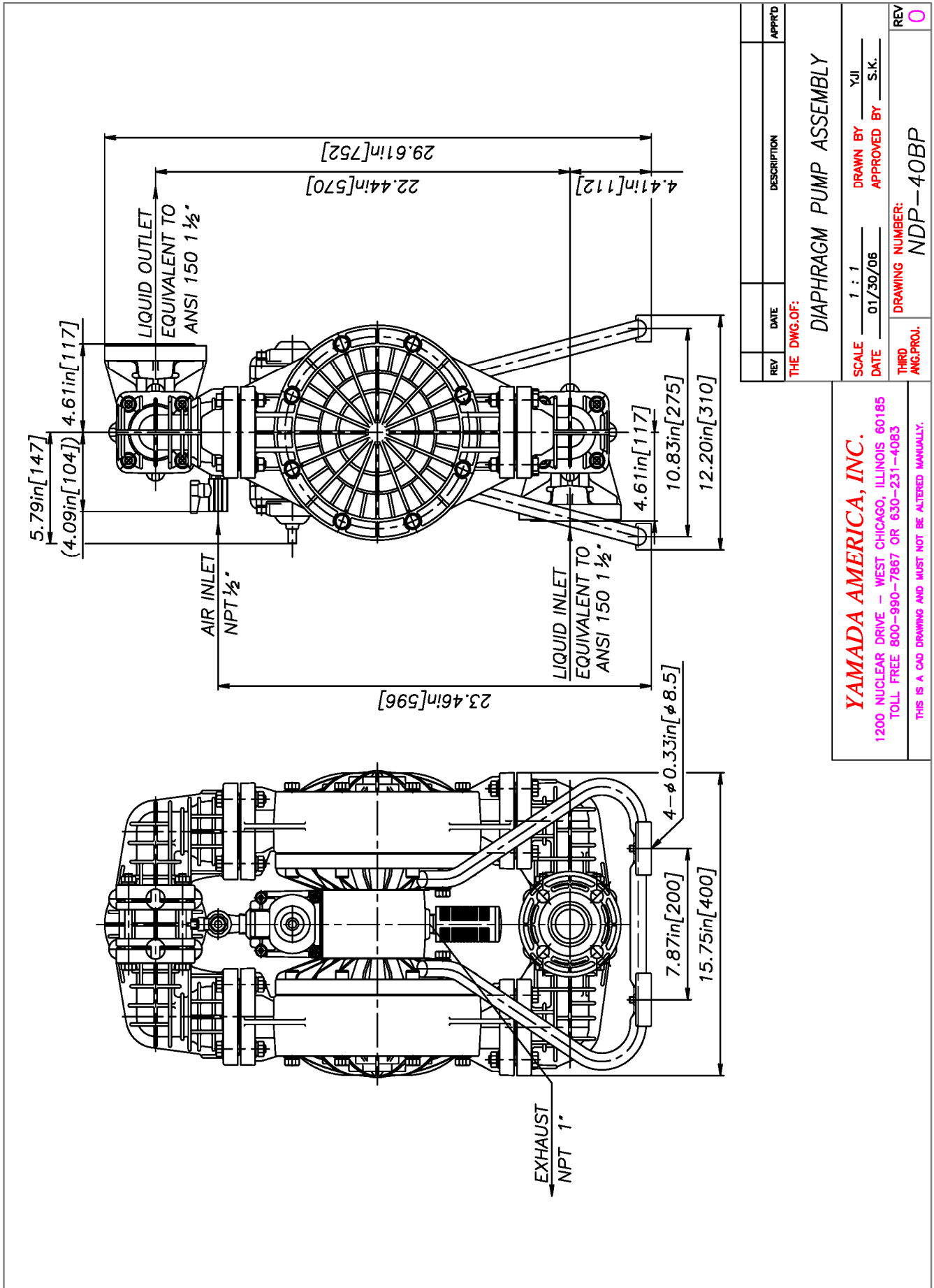


REV	DATE	DESCRIPTION	APPROD

THE DWG. OF: **DIAPHRAGM PUMP ASSEMBLY**

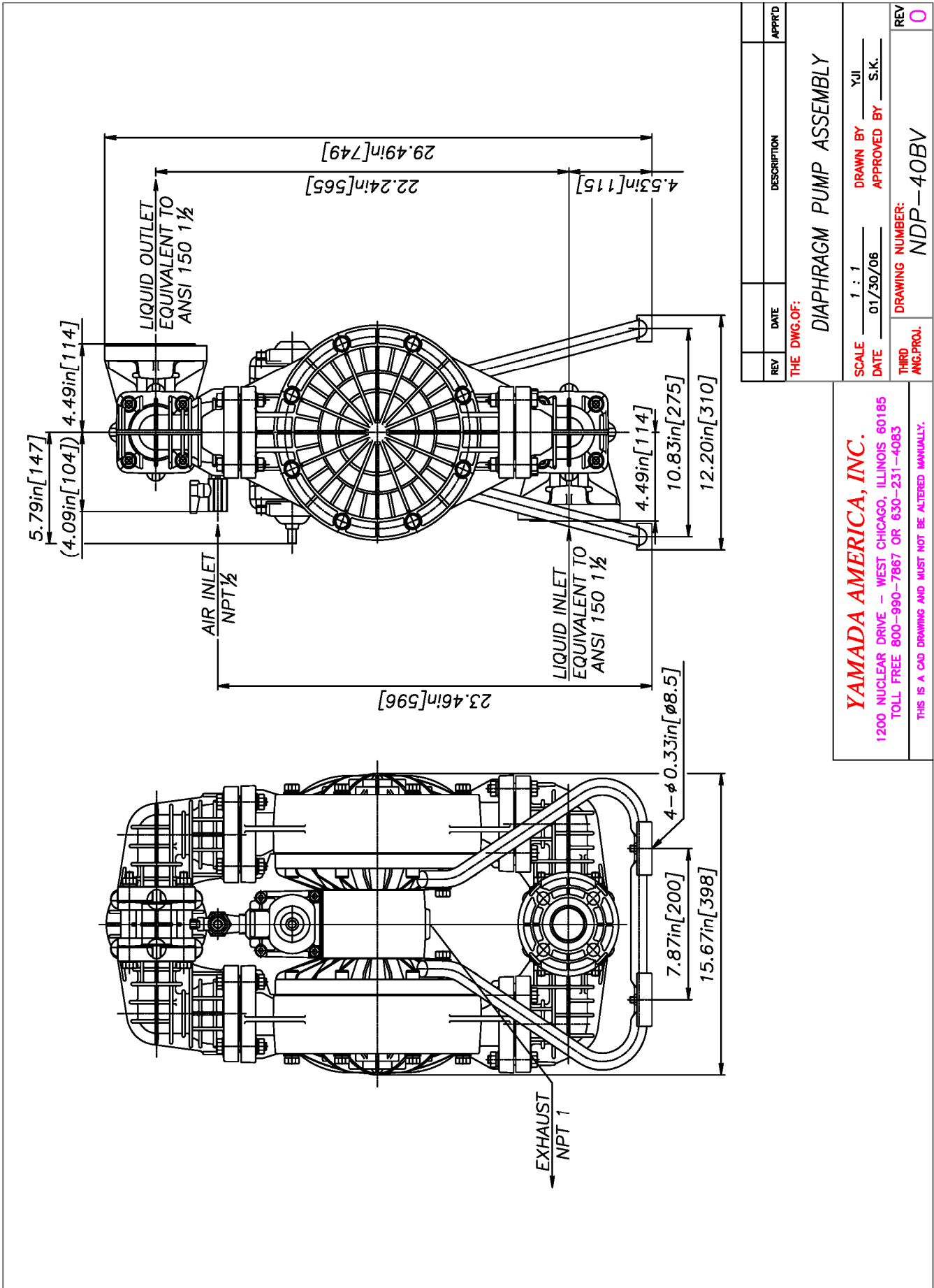
SCALE	1 : 1	DRAWN BY	Yui
DATE	01/27/06	APPROVED BY	S.K.
THIRD ANG. PROJ.	DRAWING NUMBER: NDP-40BF	REV	0

YAMADA AMERICA, INC.
 1200 NUCLEAR DRIVE - WEST CHICAGO, ILLINOIS 60185
 TOLL FREE 800-990-7867 OR 630-231-4083
 THIS IS A CAD DRAWING AND MUST NOT BE ALTERED MANUALLY.



REV	DATE	DESCRIPTION	APPROD
THE DWG. OF: DIAPHRAGM PUMP ASSEMBLY			
SCALE 1 : 1		DRAWN BY YJI	
DATE 01/30/06		APPROVED BY S.K.	
THIRD ANG. PROJ.	DRAWING NUMBER: NDP-40BP	REV 0	

YAMADA AMERICA, INC.
 1200 NUCLEAR DRIVE - WEST CHICAGO, ILLINOIS 60185
 TOLL FREE 800-990-7867 OR 630-231-4083
 THIS IS A CAD DRAWING AND MUST NOT BE ALTERED MANUALLY.



REV	DATE	DESCRIPTION	APPR'D

THE DWG. OF: **DIAPHRAGM PUMP ASSEMBLY**

SCALE: 1 : 1 DRAWN BY: YJI
 DATE: 01/30/06 APPROVED BY: S.K.

THIRD ANG. PROJ. DRAWING NUMBER: **NDP-40BV** REV: **0**

YAMADA AMERICA, INC.
 1200 NUCLEAR DRIVE - WEST CHICAGO, ILLINOIS 60185
 TOLL FREE 800-990-7867 OR 630-231-4083
 THIS IS A CAD DRAWING AND MUST NOT BE ALTERED MANUALLY.



AutoCAD® is a registered trademark of Autodesk, Inc.

Hytrel® is a registered trademark of E.I. du Pont de Nemours and Company.

Kynar® is a registered trademark of Arkema.

Nordel™ is a trademark of DuPont Dow Elastomers.

Ryton® is a registered trademark of Chevron Phillips Chemical Company.

Santoprene® is a registered trademark of Advanced Elastomers Systems.

Swagelok® & VCR® are trademarks of the Swagelok Companies.

Teflon® is a registered trademark of E.I. du Pont de Nemours and Company.

Viton® is a registered trademark of DuPont Performance Elastomers.

Due to Yamada's continued commitment to product improvement, specifications may change without notice.