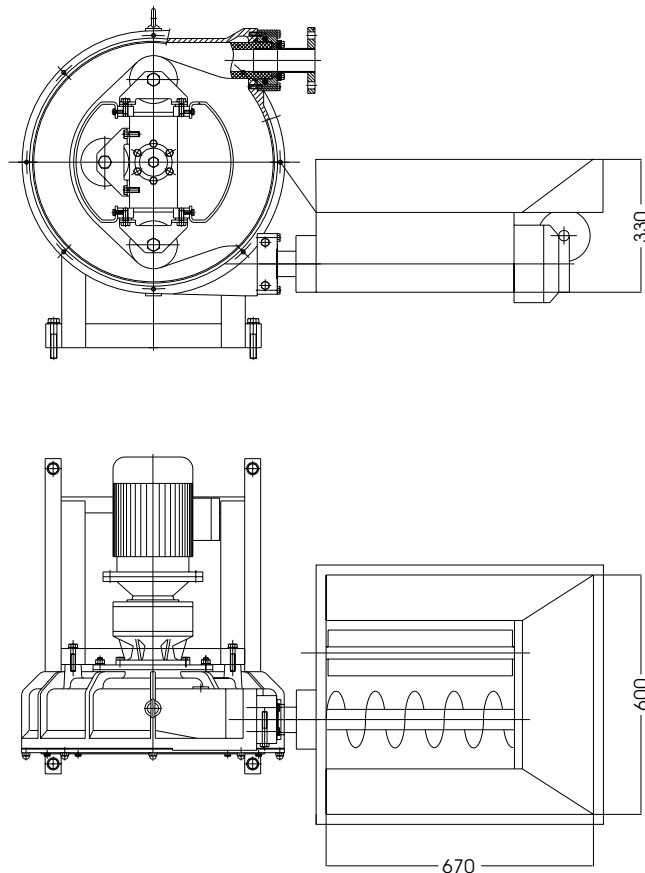




Industrial Peristaltic Pumps

FMP-60 Model

Feed screw



The feed hopper is an accessory which is available for our model FMP-60, and consists of a hopper holding an endless feed screw, a second turbulence break-up vane, together with its own geared motor. The complete assembly is manufactured in stainless steel.

The use of this assembly makes it possible to feed the pump suction intake and therefore pump complicated products such as:

Solid-liquid mixtures containing up to 85% solids, fish guts and waste products, meat products, food products used in bakeries and bread-making, highly viscous products of up to 500.000 cPs, and all types of paste products with or without solids in suspension.

For this application, we recommend that you contact our Technical department or our authorised distributors.