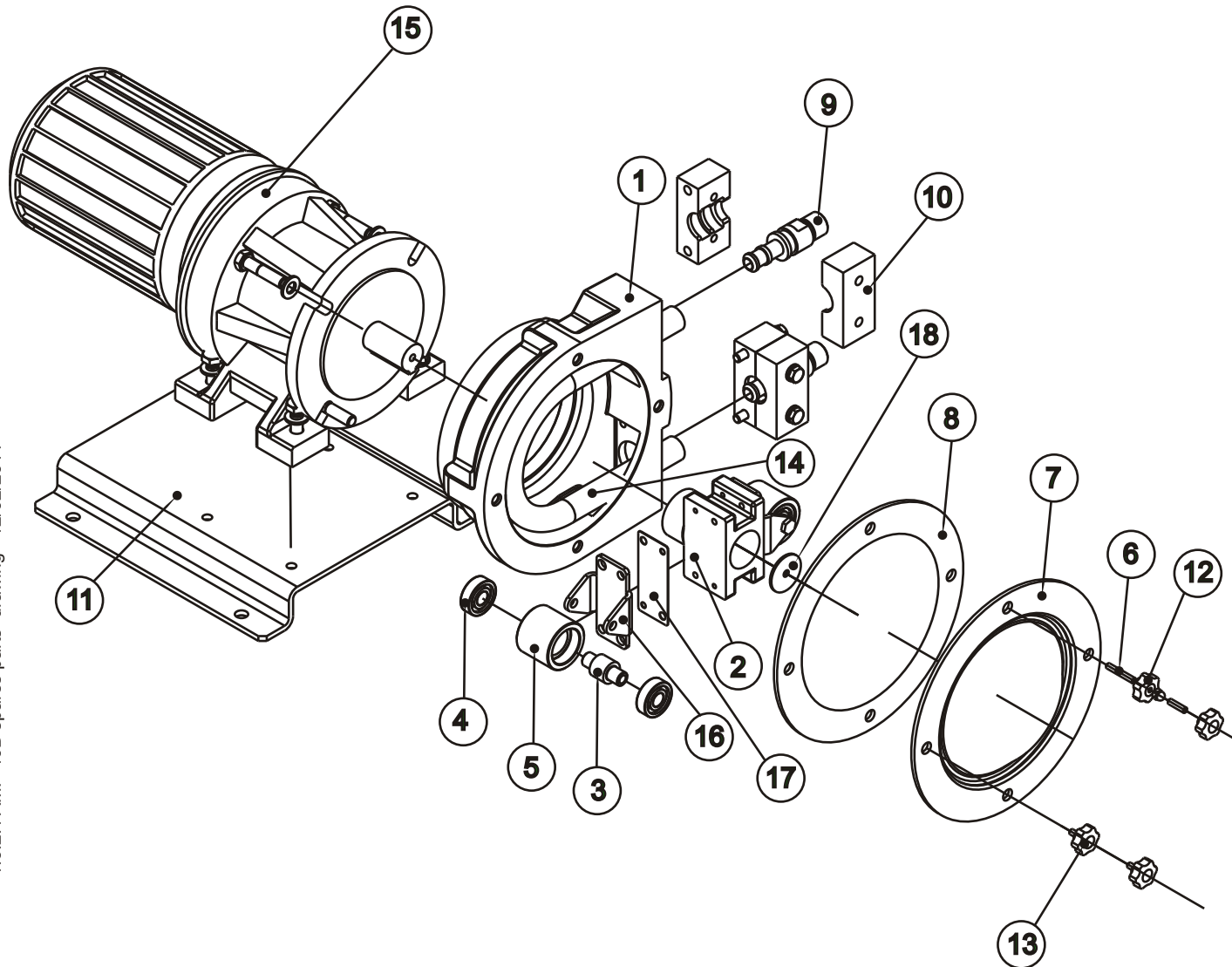


Industrial Peristaltic Pumps

AMP-10B Model



ITEM	DESCRIPTION	Q	CODE
1	casing	1	102.01.01
2	rotor	1	102.01.03
	rotor 3 rollers	1	102.01.11
3	roller shaft	2	102.01.04
4	roller ball bearing	4	102.01.02
5	roller	2	102.01.09
6	long stud	1	102.00.07
	short stud	3	102.00.14
7	front cover	1	102.01.08
8	gasket front cover	1	102.01.05
9	connection S.S.-BSP	2	102.00.10
	connection PP-BSP	2	102.00.15
	Connection PVDF-BSP	2	102.00.16
	Connection S.S.-NPT	2	102.00.17
	Connection PP-NPT	2	102.00.18
	Connection PVDF-NPT	2	102.00.19
	Connection DIN NW-10	2	102.00.20
	Connection SMS	2	102.00.21
	Connecion TRI-CLAMP 1/2"	2	102.00.22
10	Press flange standard	2	102.00.11
	Press flange (thermoplastic hose)	2	102.00.23
11	Base plate	1	102.00.12
	Base plate S.S.	1	102.00.24
12	Press pommel	1	102.00.25
13	Press pommel blind	3	102.00.26
14	Hose NR	1	102.00.27
	Hose NR-A	1	102.00.32
	Hose NBR	1	102.00.28
	Hose NBR-A	1	102.00.29
	Hose EPDM	1	102.00.30
	Hose NORPRENE	1	102.00.31
	Hose HYPALON	1	102.00.33
15	Driver	1	
16	Roller support	2	102.01.06
	Roller support (3 rollers)	3	102.01.13
17	Shim		102.01.07
	Shim (3 rollers)		102.01.14
18	Rotor washer	1	102.01.10