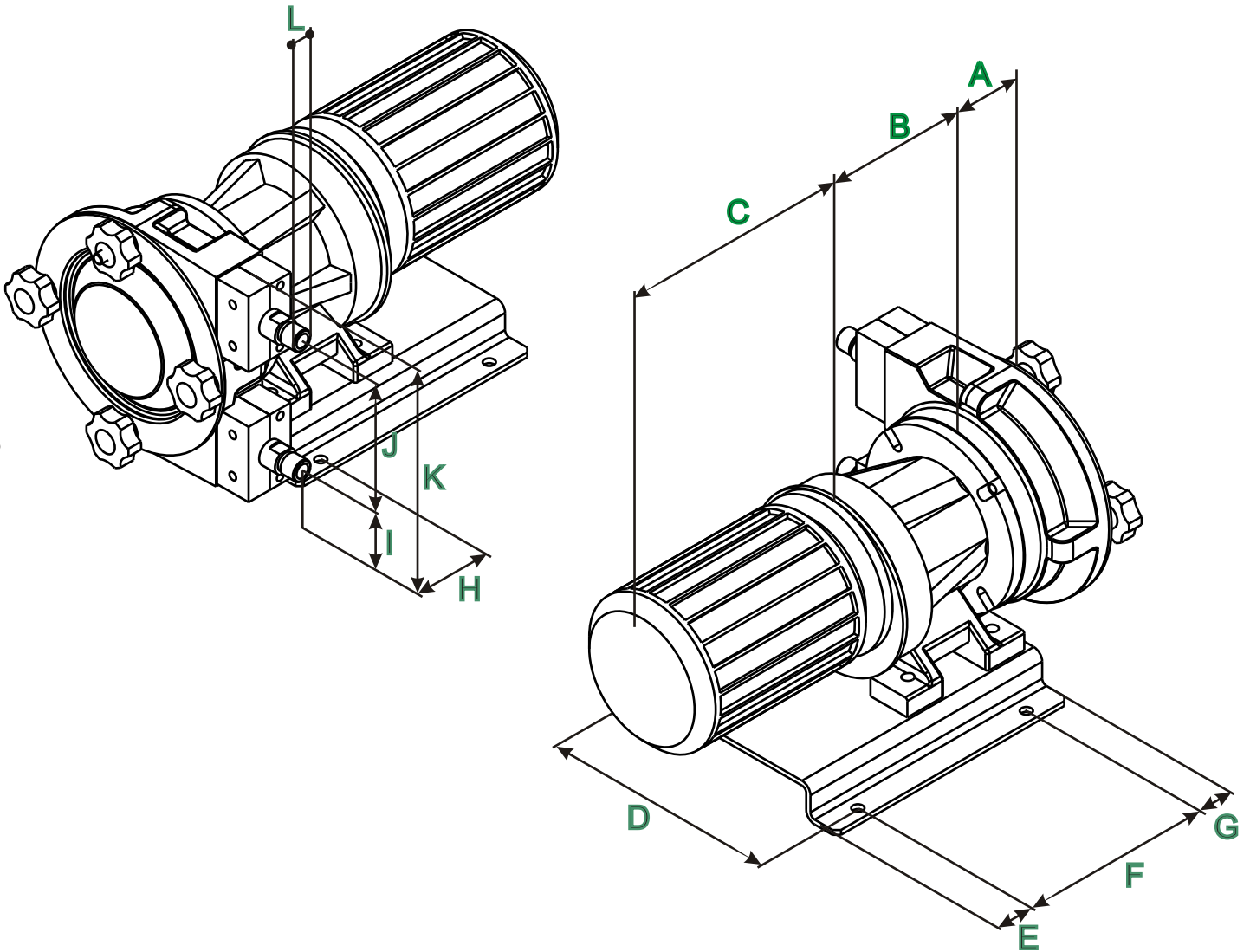


### AMP-10B Model

1.4.2.1 AMP-10B dimensional drawing - 07/02/2014



A	B	C	D	E	F	G	H	I	J	K	L
70	*	*	190	30	160	30	61	60	115	210	3/8" BSP

\* To confirm according type and power driver.