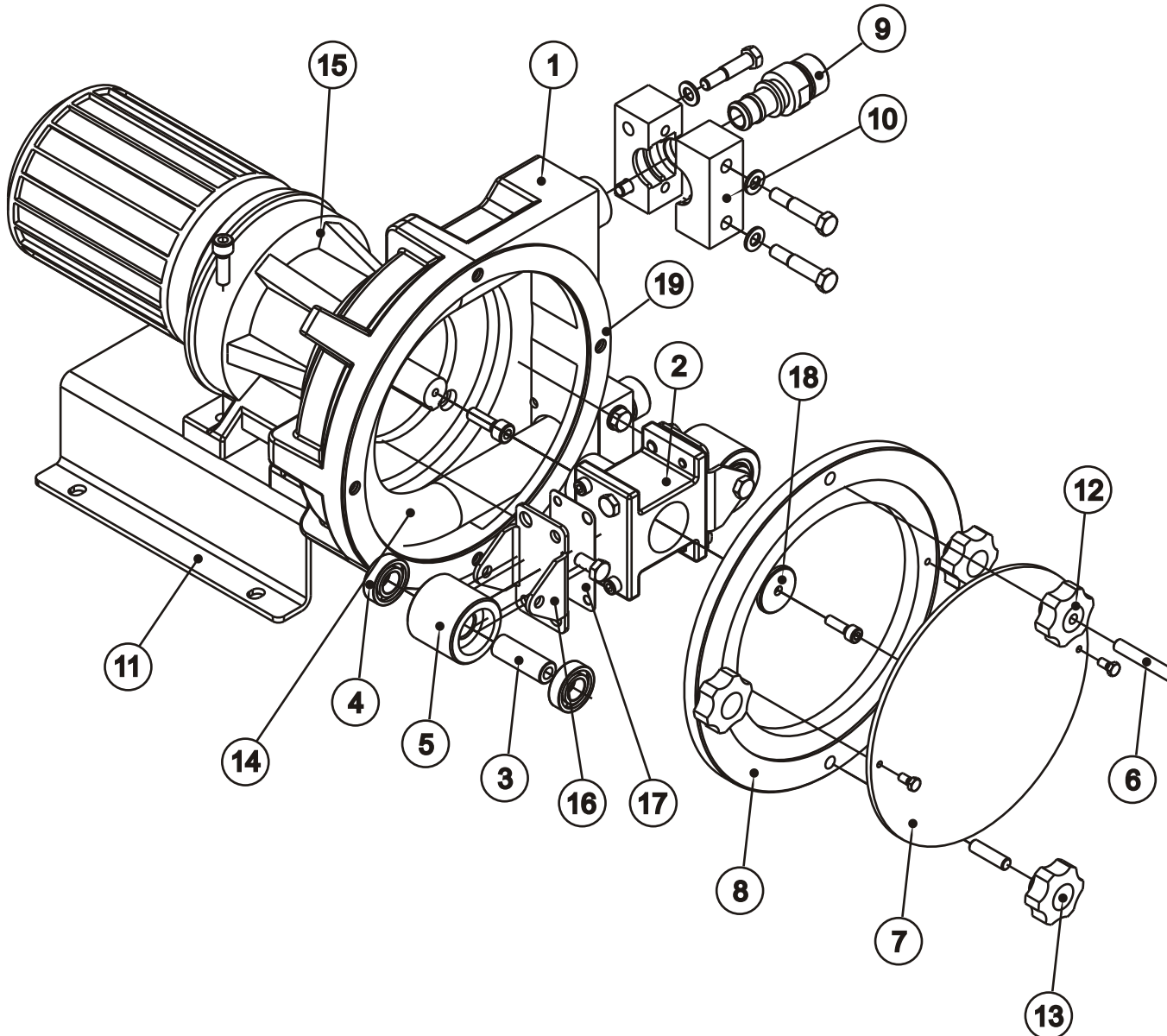


Industrial Peristaltic Pumps

AMP-16D Model



ITEM	DESCRIPTION	Q	CODE
1	Pump casing	1	101.03.01
2	Rotor	1	101.02.03
3	Roller shaft	2	101.01.04
4	Roller ball bearings	4	101.01.36
5	Roller D45	2	105.01.07
6	Long stud	1	102.00.07
	Short stud	3	102.00.14
7	Plastic cover	1	101.00.12
8	Metallic cover	1	101.00.11
9	connection INOX-BSP	2	101.00.13
	conexi n PP-BSP	2	101.00.14
	Connection PVDF-BSP	2	101.00.15
	Connection INOX-NPT	2	101.00.16
	Connection PP-NPT	2	101.00.17
	Connection PVDF-NPT	2	101.00.18
	Connection DIN	2	101.00.19
	Connection SMS	2	101.00.20
	Connection TRI-CLAMP	2	101.00.21
10	Press flange standard	2	101.03.22
	Press flange thermoplastic hose	2	101.03.23
11	Base plate	1	101.00.24
	Base plate S.S.	1	101.00.25
12	Pommel	1	102.00.25
13	Pommel blind	3	102.00.26
14	Hose NR	1	101.00.26
	Hose NBR	1	101.00.27
	Hose NBR-A	1	101.00.32
	Hose EPDM	1	101.00.28
	Hose Norprene	1	101.00.30
	Hose NR-A	1	101.00.31
	Hose HYPALON	1	101.00.33
	Hose TYGON	1	101.00.29
15	Driver	1	
16	Roller Support	2	101.02.34
17	Shim		101.02.35
18	Rotor washer	1	101.02.13
19	Cover gasket	1	101.02.40