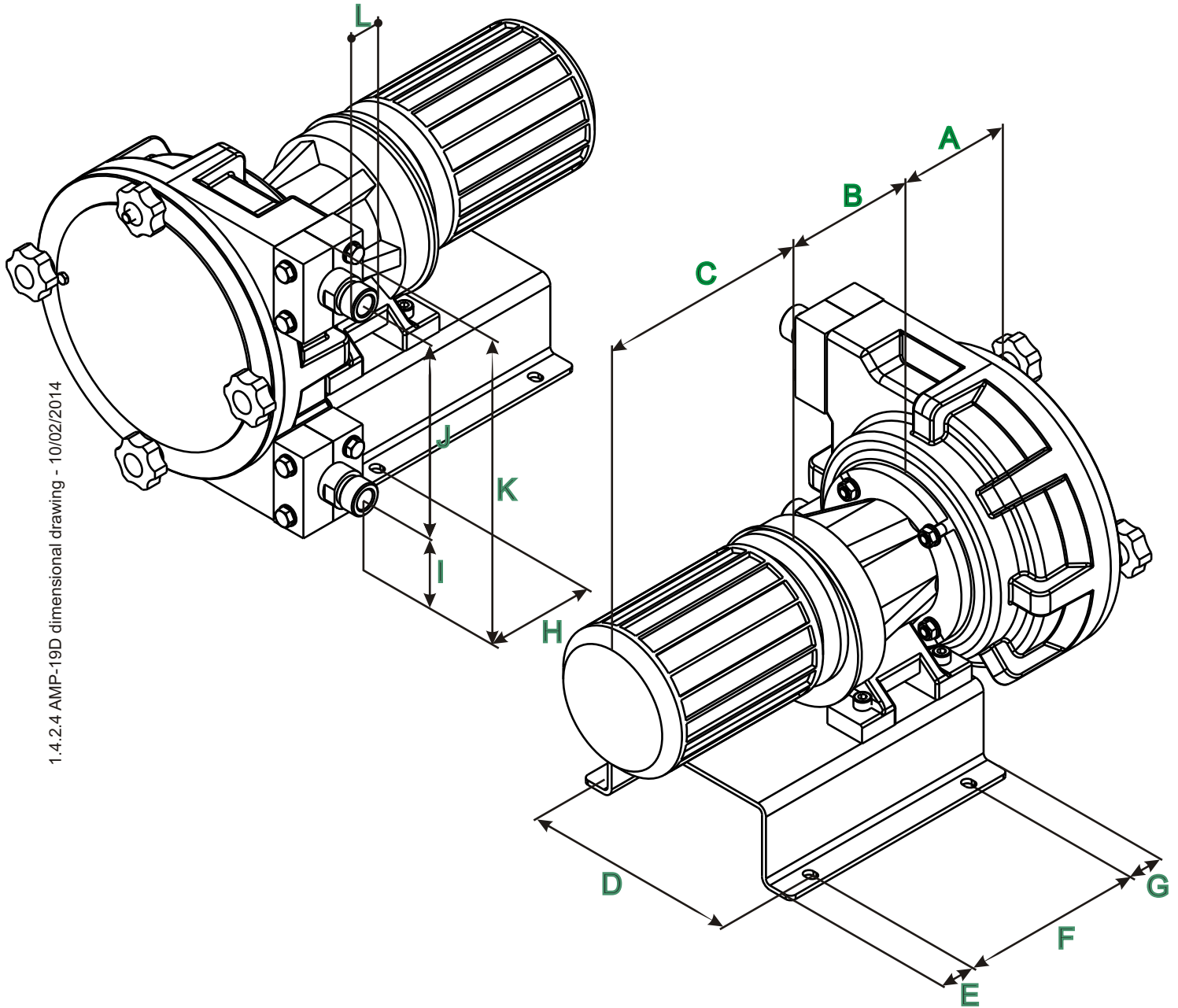


AMP-19D Model



1.4.2.4 AMP-19D dimensional drawing - 10/02/2014

A	B	C	D	E	F	G	H	I	J	K	L
119	*	*	190	30	160	30	75	60	170	265	1" BSP

* To confirm according type and power driver.