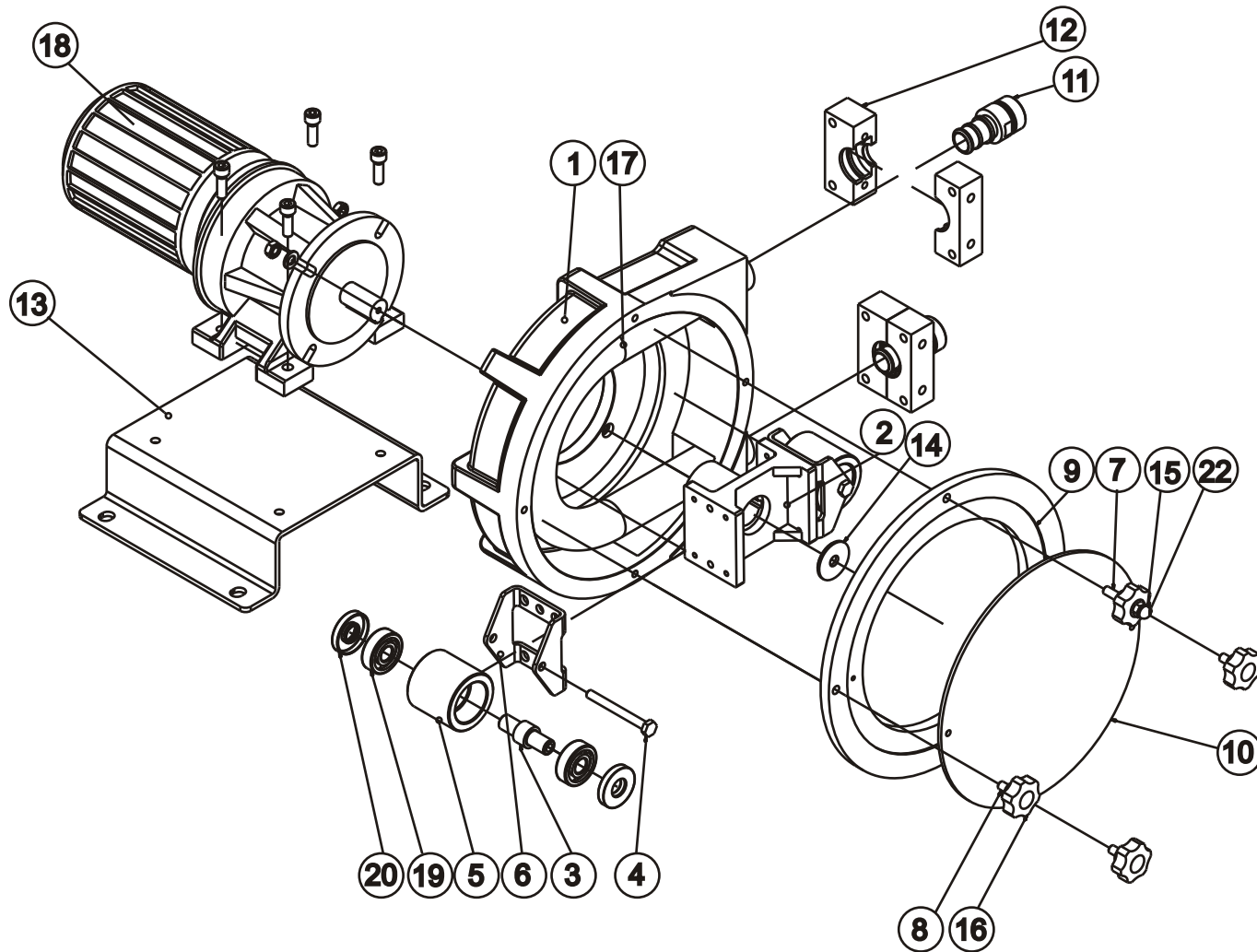


# Industrial Peristaltic Pumps

## AMP-22 Model



POS.	DESCRIPTION	Q	CODE
1	Pump casing	1	113.00.01
2	Rotor	1	113.00.02
3	Roller shaft	2	113.00.03
4	Roller screw	2	113.00.04
5	Roller (hose rubber )	2	113.00.05
	Roller (thermoplastic hose )	2	113.00.06
6	Roller support	2	113.00.07
7	Long Stud	1	102.00.07
8	Short stud	3	102.00.14
9	Front cover ( metallic part )	1	113.00.08
10	Front cover ( plastic part )	1	113.00.09
11	connection INOX-BSP	2	113.00.10
	connection PP-BSP	2	113.00.11
	Connection PVDF-BSP	2	113.00.12
	Connection INOX-NPT	2	113.00.13
	Connection PP-NPT	2	113.00.14
	Connection PVDF-NPT	2	113.00.15
	Connection DIN	2	113.00.16
	Connection SMS	2	113.00.17
	Connection TRI-CLAMP	2	113.00.18
12	Press flange ( rubber hose )	2	113.00.19
	Press flange ( thermoplastic )	2	113.00.20
13	Base plate	1	113.00.21
	Base plate S.S.	1	113.00.22
14	Rotor washer	1	113.00.23
15	Press pommel	1	102.00.25
16	Press pommel blind	3	102.00.26
17	Hose NR	1	113.00.24
	Hose NBR	1	113.00.25
	Hose NBR-A	1	113.00.26
	Hose EPDM	1	113.00.27
	Hose Norprene	1	113.00.28
	Hose NR-A	1	113.00.29
	Hose HYPALON	1	113.00.30
18	Driver	1	
19	Ball bearing ( roller )	4	113.00.31
20	Lip seal ( roller )	4	113.00.32