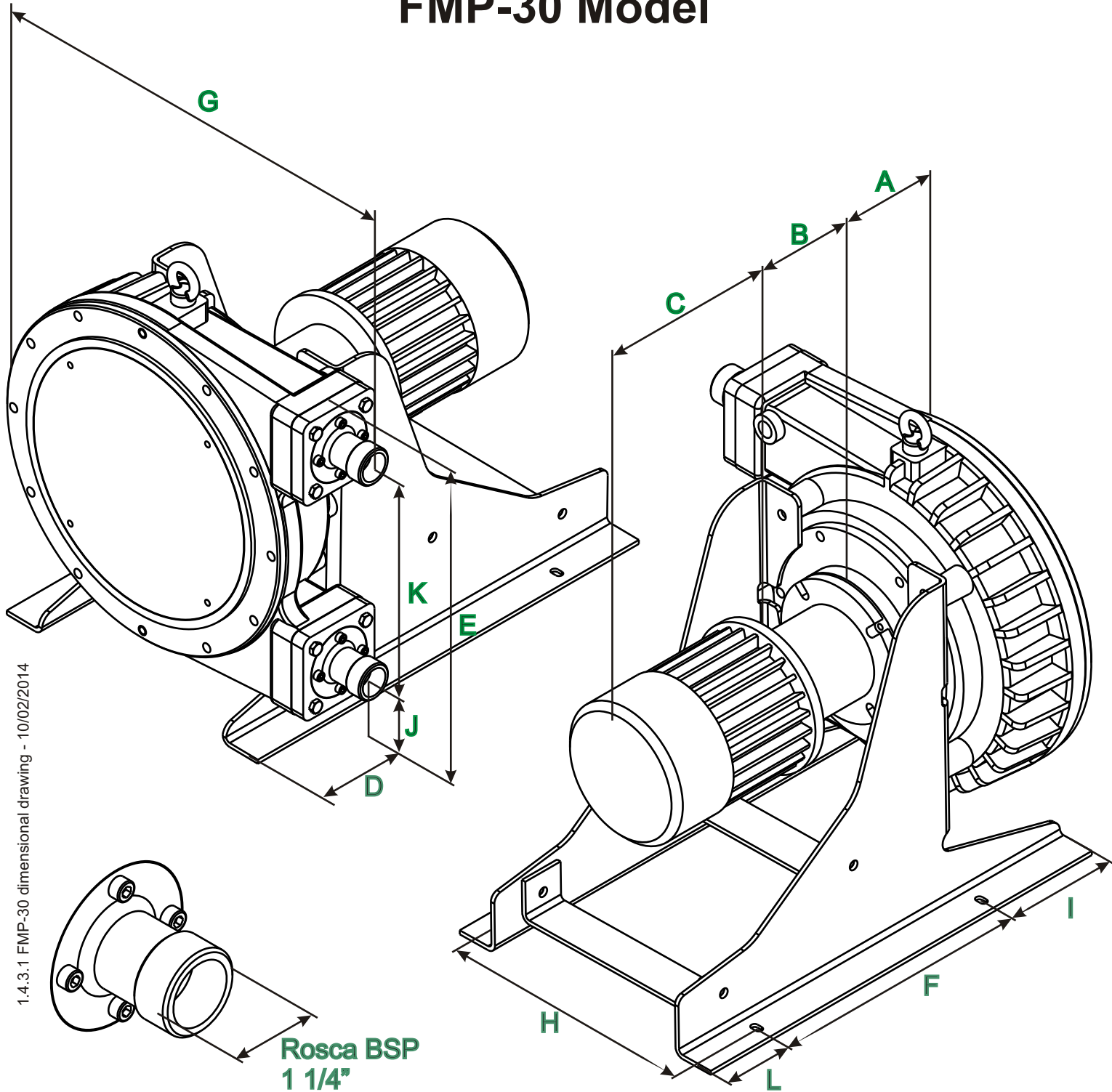


### FMP-30 Model



A	B	C	D	E	F	G	H	I	J	K	L
127,5	*	*	60	425	305	471	305	160	100	262	75

\* To confirm according type and power driver.