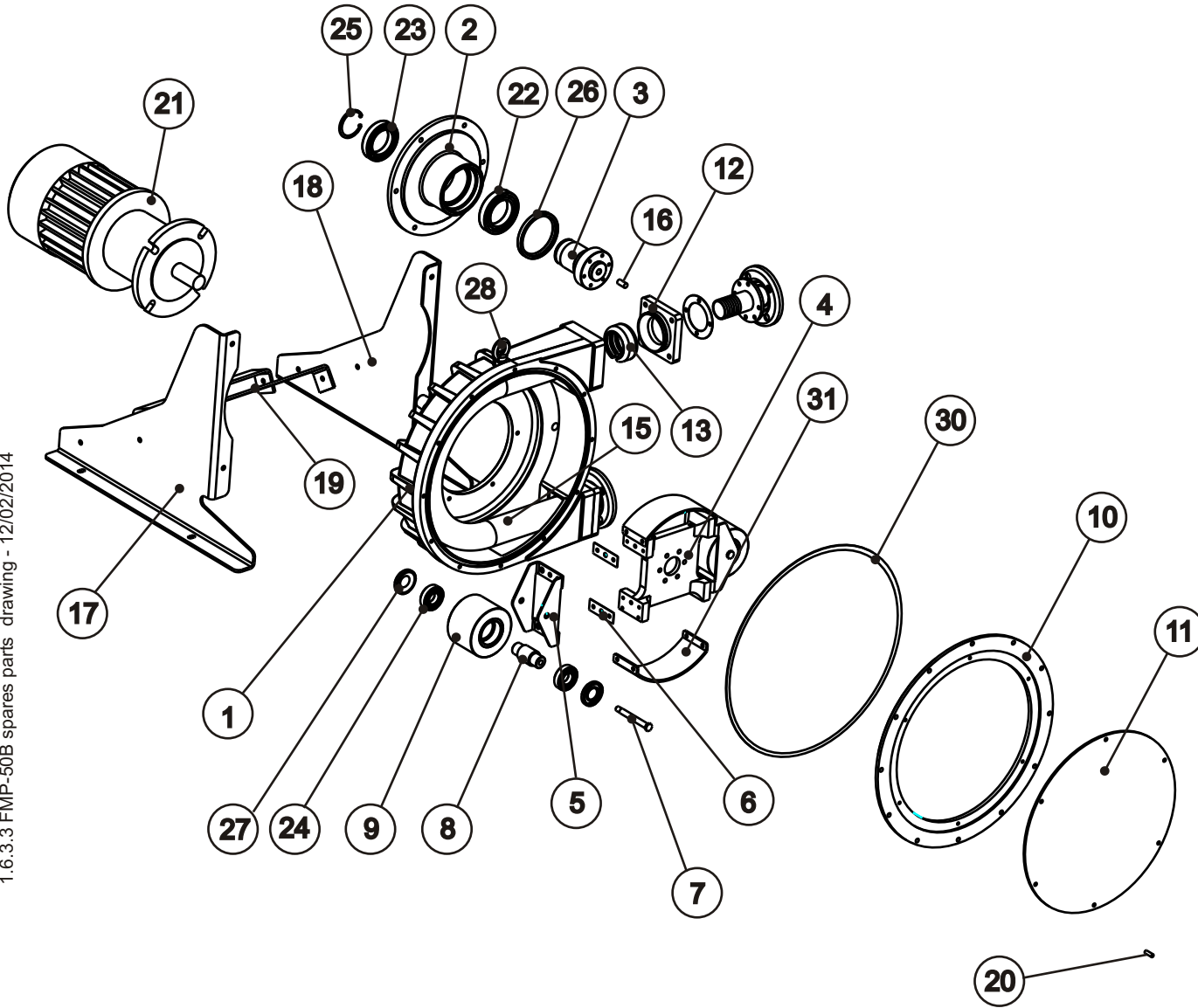


Industrial Peristaltic Pumps

FMP-50B Model



ITEM	NAME	Q	CODE
1	Pump body	1	108.01.01
2	Ball bearing box	1	108.00.02
3	Rotor shaft	1	108.00.03
4	Rotor	1	108.01.04
5	Roller support	2	108.01.05
6	Shim		108.00.06
7	Shaft screw	2	108.00.07
8	Roller shaft	2	108.00.08
9	Roller	2	108.01.09
10	Metallic cover	1	108.00.10
11	Polycarbonate cover	1	108.00.39
12	Press flange	2	108.00.11
13	Press ring	2	108.00.12
14	Connection flange DN50 S.S.	2	108.00.13
	Connection ANSI flange DN-50 SS	2	108.00.14
	Connection flange DN50 PP	2	108.00.16
	Connection ANSI flange DN-50 PP	2	108.00.17
	Connection flange DN50 PVDF	2	108.00.18
	Connection ANSI flange DN50 PVDF	2	108.00.19
	Connection DIN 11851 NW-50	2	108.00.15
	Connection TRI-CLAMP	2	108.00.40
15	Peristaltic hose NR	1	108.00.20
	Peristaltic hose NR-A	1	108.00.21
	Peristaltic hose NBR	1	108.00.22
	Peristaltic hose NBR-A	1	108.00.23
	Peristaltic hose EPDM	1	108.00.24
	Peristaltic hose HYPALON	1	108.00.25
16	Shaft cap	1	
17	Base left	1	108.00.26
	Base left S.S.	1	108.00.36
18	Base right	1	108.00.27
	Base right S.S.	1	108.00.37
19	Base middle	2	108.00.28
	Base middle S.S.	2	108.00.38
20	Stud	2	
21	Driver	1	
22	Ball bearing anterior	1	108.00.29
23	Ball bearing posterior	1	108.00.30
24	Ball bearing roller	4	108.00.31
25	Ring for shaft	1	108.00.32
26	Lip seal box	1	108.00.33
27	Lip seal roller	4	108.00.34
28	Eye bolt	1	
29	Drain plug FMP-50	3	
30	O-Ring front cover	1	108.00.35
31	Lateral rotor	2	108.01.44