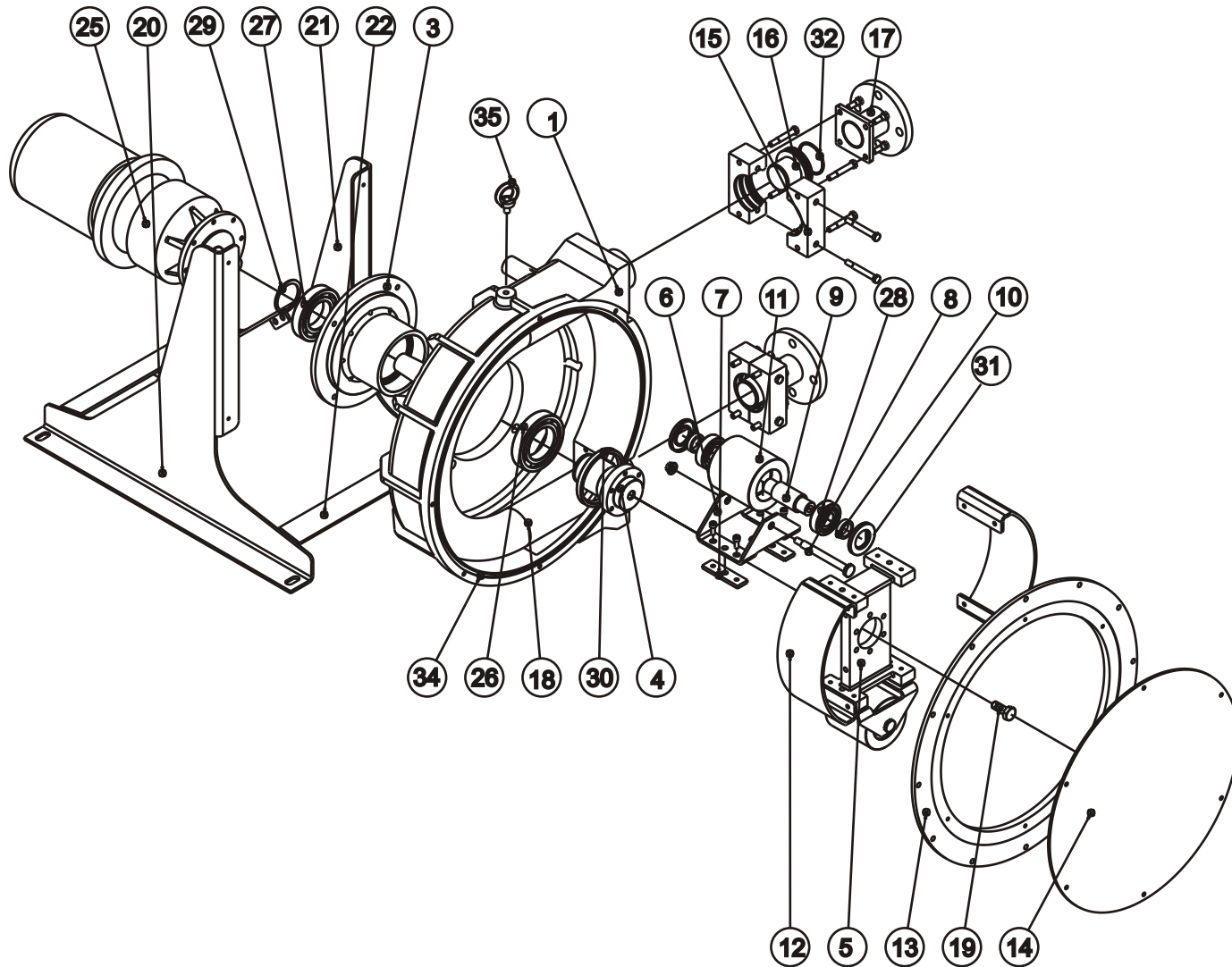


# Industrial Peristaltic Pumps

## FMP-60 Model



| ITEM | NAME                           | Q | CODE      |
|------|--------------------------------|---|-----------|
| 1    | Pump housing                   | 1 | 110.00.01 |
| 3    | Ball bearing box               | 1 | 110.00.03 |
| 4    | Rotor shaft                    | 1 | 110.00.04 |
| 5    | Rotor                          | 1 | 110.00.05 |
| 6    | Roller support                 | 2 | 110.00.06 |
| 7    | Shim 1mm                       |   | 110.00.07 |
|      | Shim 7mm                       |   | 110.00.55 |
|      | Shim 5mm                       |   | 110.00.56 |
| 8    | Shaft screw                    | 2 | 110.00.08 |
| 9    | Roller shaft                   | 2 | 110.00.09 |
| 10   | Separator                      | 4 | 110.00.10 |
| 11   | Roller                         | 2 | 110.00.11 |
| 12   | Lateral rotor                  | 2 | 110.00.12 |
| 13   | O-ring cover                   | 1 | 110.00.13 |
| 14   | Front cover transparent        | 1 | 110.00.14 |
| 15   | Press flange                   | 2 | 110.00.15 |
| 16   | Insert S.S.                    | 2 | 110.00.16 |
|      | Insert Polypropylene           | 2 | 110.00.46 |
|      | Insert PVDF                    | 2 | 110.00.47 |
| 17   | Connection flange DIN          | 2 | 110.00.17 |
|      | Connection flange ANSI         | 2 | 110.00.41 |
|      | Connection TRI-CLAMP           | 2 | 110.00.42 |
|      | Connection DIN 11851           | 2 | 110.00.43 |
|      | Connection flange DIN (Halar)  | 2 | 110.00.44 |
|      | Connection flange ANSI (Halar) | 2 | 110.00.45 |
| 18   | Hose NR                        | 1 | 110.00.18 |
|      | Hose NR-A                      | 1 | 110.00.19 |
|      | Hose NBR                       | 1 | 110.00.20 |
|      | Hose NBR-A                     | 1 | 110.00.21 |
|      | Hose EPDM                      | 1 | 110.00.22 |
|      | Hose HYPALON                   | 1 | 110.00.54 |
| 19   | Bearing box cap                | 1 | 110.00.23 |
| 20   | Base left                      | 1 | 110.00.37 |
|      | Base left S.S.                 | 1 | 110.00.48 |
| 21   | Base right                     | 1 | 110.00.38 |
|      | Base right S.S.                | 1 | 110.00.49 |
| 22   | Middle 100mm                   | 1 | 110.00.39 |
|      | Middle 100mm S.S.              | 1 | 110.00.50 |
| 23   | Middle 60mm                    | 2 | 110.00.40 |
|      | Middle 60mm S.S.               | 2 | 110.00.51 |
| 24   | Stud                           | 2 | 106.00.27 |
| 25   | Driver                         | 1 |           |
| 26   | box anterior ball bearing      | 1 | 110.00.26 |
| 27   | box posterior ball bearing     | 1 | 110.00.27 |
| 28   | Roller ball bearing            | 4 | 110.00.28 |
| 29   | Elastic o-ring for shaft       | 1 | 110.00.29 |
| 30   | bearing box lip seal           | 1 | 110.00.30 |
| 31   | roller lip seal                | 1 | 110.00.31 |
| 32   | O-ring connection              | 2 | 110.00.32 |
| 34   | O-ring cover                   | 1 | 110.00.33 |
| 35   | Eye bolt                       | 1 | 110.00.34 |
| 36   | Nut                            | 2 | 110.00.35 |
| 37   | Nut                            | 2 | 110.00.36 |
| 38   | Drain plug FMP                 | 3 | 107.00.41 |
| 39   | Check valve                    | 1 | 110.00.53 |