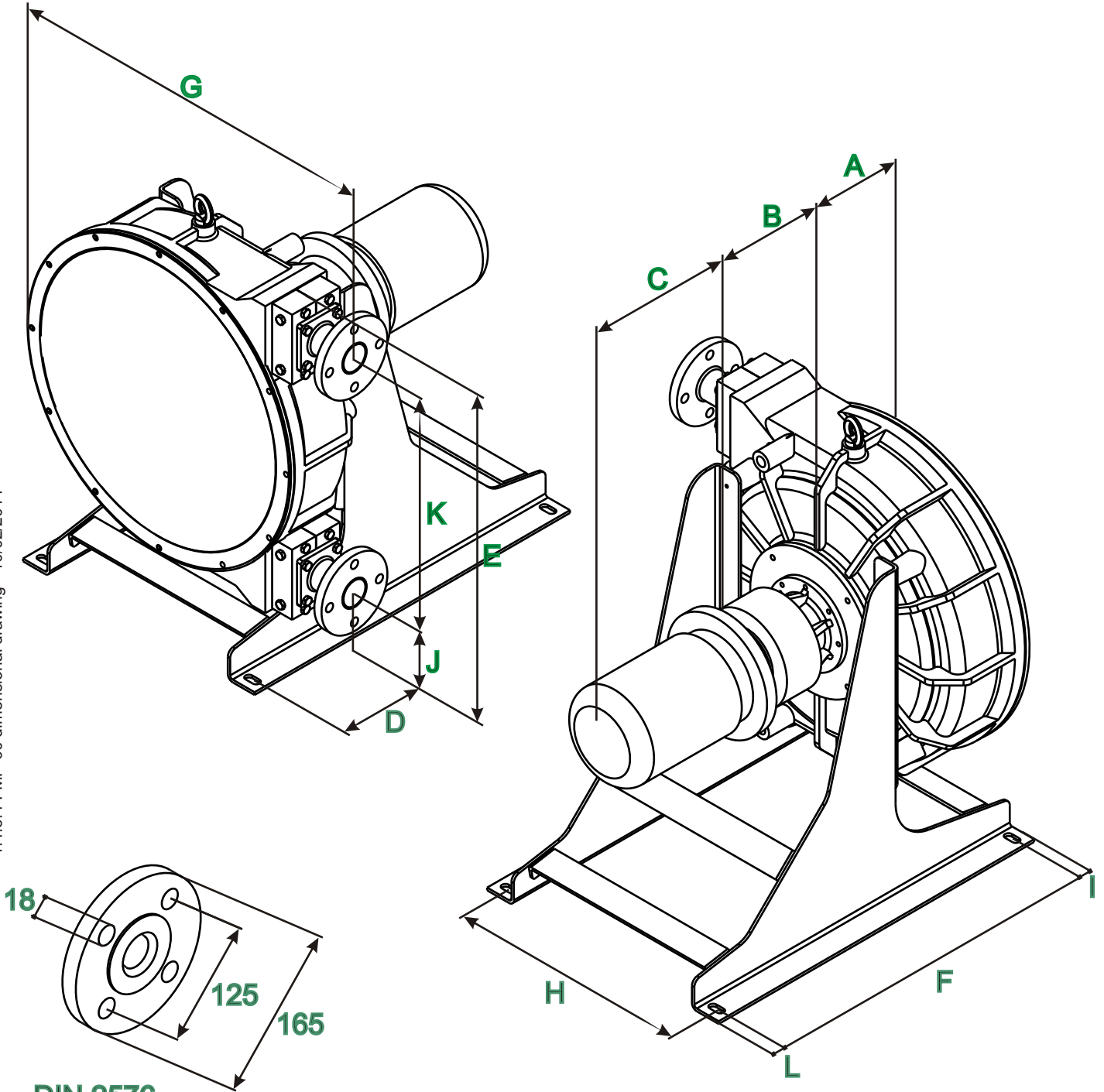


FMP-60 Model

1.4.3.4 FMP-60 dimensional drawing - 10/02/2014



DIN 2576
DN-50 / PN-10

A	B	C	D	E	F	G	H	I	J	K	L
215	*	*	111	805	740	735	500	25	210	510	25

* To confirm according type and power driver.