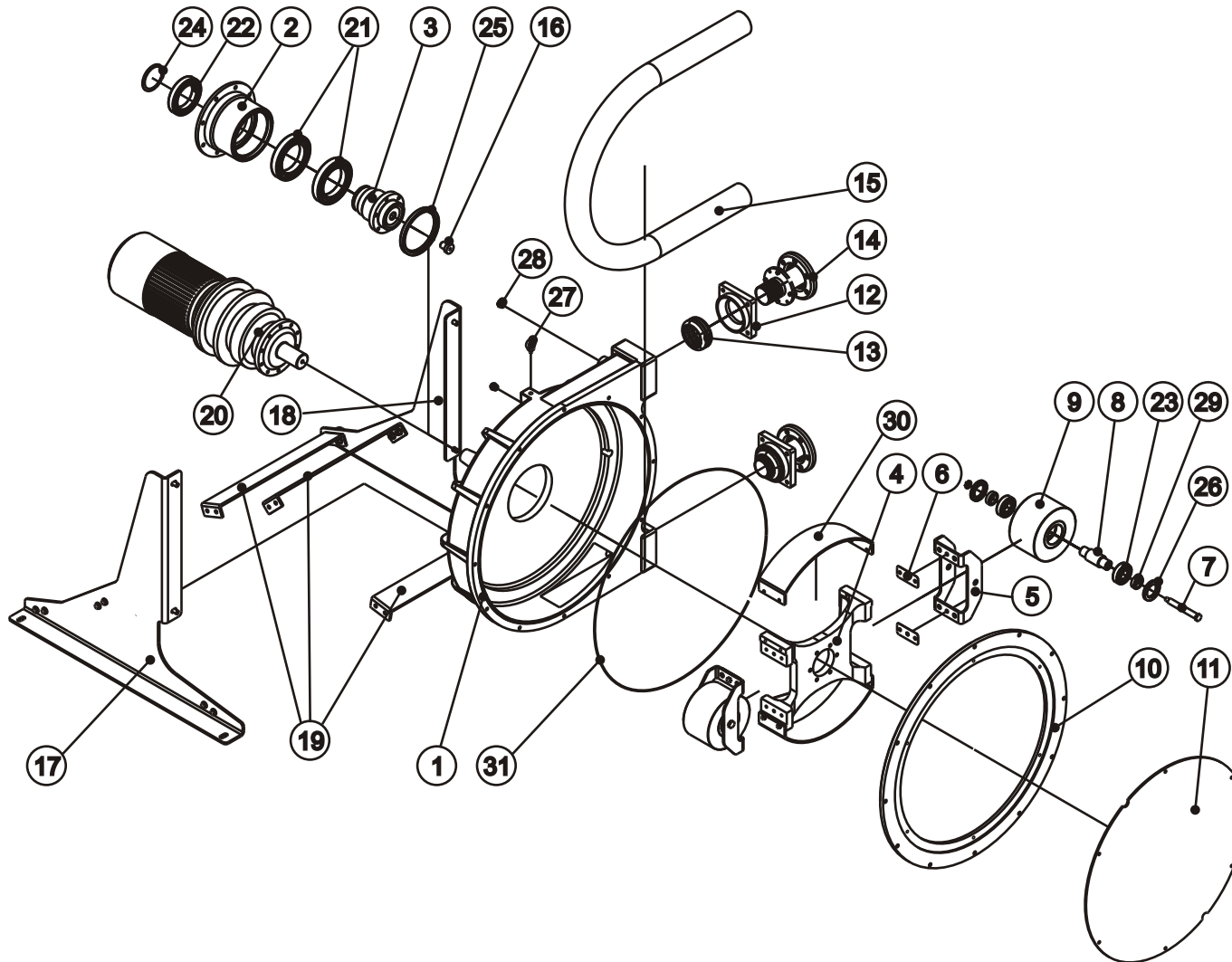


Industrial Peristaltic Pumps

FMP-70B Model



POS.	DESCRIPTION	Q	CODE
1	Pump casing	1	112.00.01
2	Ball bearing box	1	111.00.03
3	Rotor shaft	1	111.00.04
4	Rotor	1	112.01.02
5	Roller support	2	112.01.03
6	Shim		112.00.04
7	Shaft screw	2	112.00.05
8	Roller shaft	2	112.00.06
9	Roller	2	112.01.07
10	Front cover (metallic part)	1	112.00.40
11	Front cover (polycarbonate)	1	112.00.41
12	Press flange	2	112.00.09
13	Press ring	2	112.00.10
14	Connection DN-65 Stainless Steel DIN flange	2	112.00.11
	Connection 2 1/2" Stainless Steel ANSI flange	2	112.00.12
	Connection DN-80 Stainless steel DIN 11851	2	112.00.13
	Connection DN-65 Polypropylene DIN flange	2	112.00.14
	Connection 2 1/2" polypropylene ANSI flange	2	112.00.15
	Connection DN-65 PVDF / PTFE DIN flange	2	112.00.16
	Connection 2 1/2" PVDF / PTFE ANSI flange	2	112.00.17
	Connection 3" Stainless Steel TRI-CLAMP	2	112.00.43
15	Hose NR	1	112.00.18
	Hose NR-A	1	112.00.19
	Hose NBR	1	112.00.20
	Hose NBR-A	1	112.00.21
	Hose EPDM	1	112.00.22
	Hose HYPALON	1	112.00.23
16	Shaft cap	1	111.00.08
17	Base left	1	112.00.24
	Base left S.S.		112.00.36
18	Base right	1	112.00.25
	Base right S.S.		112.00.37
19	Base middle	2	112.00.26
	Base middle S.S.		112.00.38
20	Driver	1	
21	Ball bearing anterior	2	111.00.28
22	Ball bearing posterior	1	111.00.29
23	Ball bearing roller	4	112.00.27
24	Ring for shaft	1	111.00.30
25	Lip seal box	1	111.00.31
26	Lip seal roller	4	112.00.28
27	Eye bolt	1	112.00.29
28	Drain plug	3	112.00.30
29	Roller ferrule	2	112.00.31
30	Lateral rotor	2	112.01.32
31	O-ring front cover	1	112.00.35