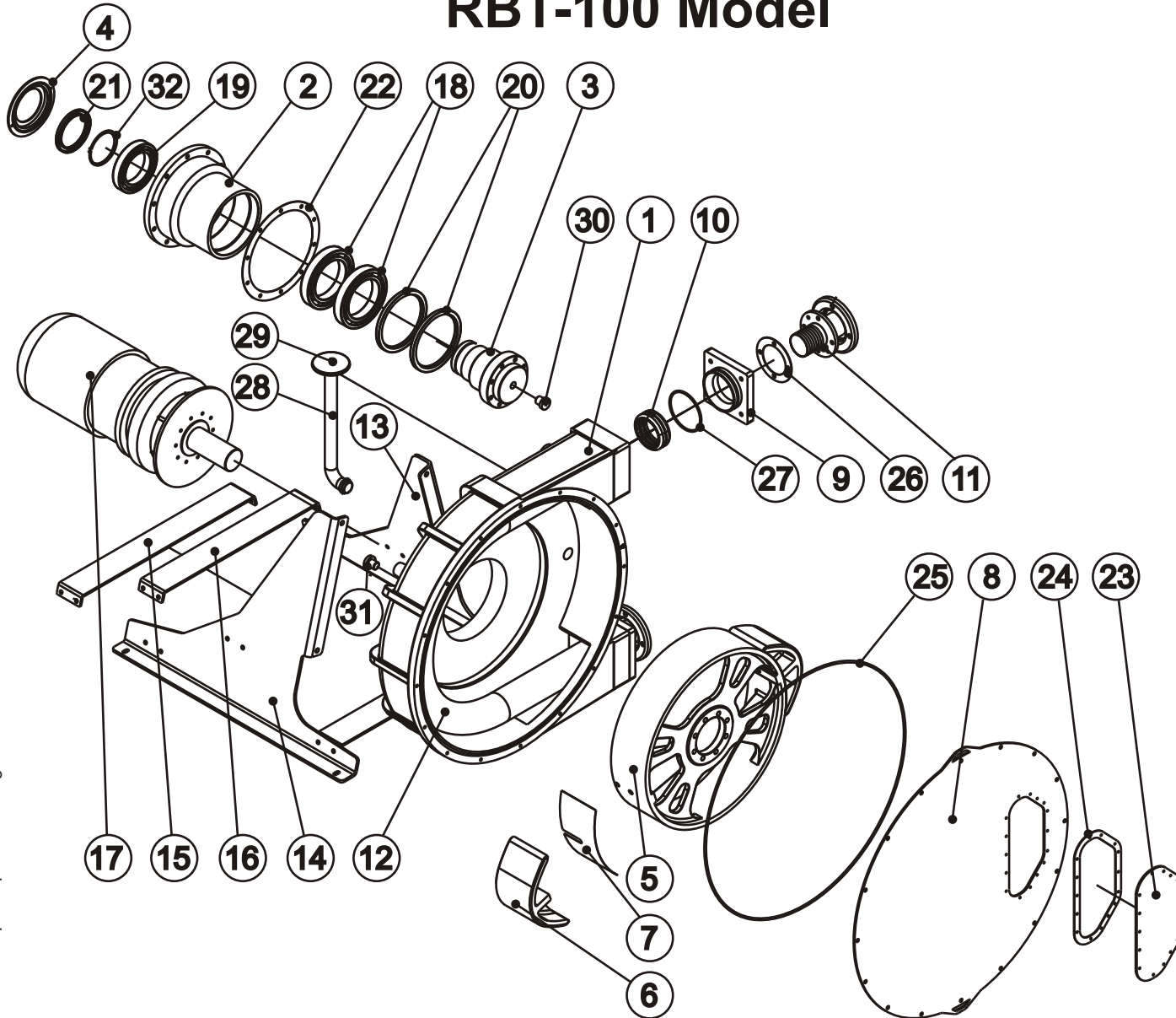


# Industrial Peristaltic Pumps

## RBT-100 Model



ITEM	DESCRIPTION	Q	CODE
1	Pump casing	1	119.00.01
2	Ball bearing box	1	119.00.02
3	Rotor shaft	1	119.00.03
4	Lip seal support ( ball bearing box )	1	119.00.04
5	Rotor	1	119.00.05
6	Shoe	2	119.00.06
7	Shim	-	119.00.07
8	Front cover	1	119.00.08
9	Press flange	2	119.00.09
10	Press ring	2	119.00.10
11	Connection DN-100 Stainless Steel DIN Flange	2	119.00.11
	Connection 4" Stainless steel ANSI Flange	2	119.00.12
	Connection DN-100 Polypropylene DIN Flange	2	119.00.13
	Connection 4" Polypropylene ANSI Flange	2	119.00.14
	Connection DN-100 PVDF DIN Flange	2	119.00.15
	Connection 4" PVDF ANSI Flange	2	119.00.16
	Connection DN-100 Stainless steel DIN 11851	2	119.00.17
	Connection 4" Stainless steel Tri-Clamp	2	119.00.18
12	Hose NR	1	119.00.19
	Hose NBR	1	119.00.20
	Hose EPDM	1	119.00.21
	Hose NR-A	1	119.00.22
	Hose NBR-A	1	119.00.23
	Hose Hypalon	1	119.00.24
13	Base plate right painted steel	1	119.00.25
	Base plate right stainless steel	1	119.00.26
14	Base plate left painted steel	1	119.00.27
	Base plate left stainless steel	1	119.00.28
15	Base plate long separator painted steel	2	119.00.29
	Base plate long separator stainless steel	2	119.00.30
16	Base plate short separator painted steel	1	119.00.31
	Base plate short separator stainless steel	1	119.00.32
17	Driver	1	
18	Ball bearing anterior ( ball bearing box )	2	119.00.33
19	Ball bearing posterior ( ball bearing box )	1	119.00.34
20	Lip seal anterior ( ball bearing box )	2	119.00.35
21	Lip seal posterior ( ball bearing box )	1	119.00.36
22	Gasket (ball bearing box)	1	119.00.37
23	Inspection window	1	119.00.38
24	Gasket ( inspection window )	1	119.00.39
25	O-Ring ( front cover )	1	119.00.40
26	Gasket ( connection )	2	119.00.41
27	O-Ring ( press flange )	2	119.00.42
28	Air breather tube	1	119.00.43
29	Air breather cap	1	119.00.44
30	Cap ( ball bearing box )	1	119.00.45
31	Drain plug	2	119.00.46
32	Segger ring ( ball bearing box )	1	119.00.47