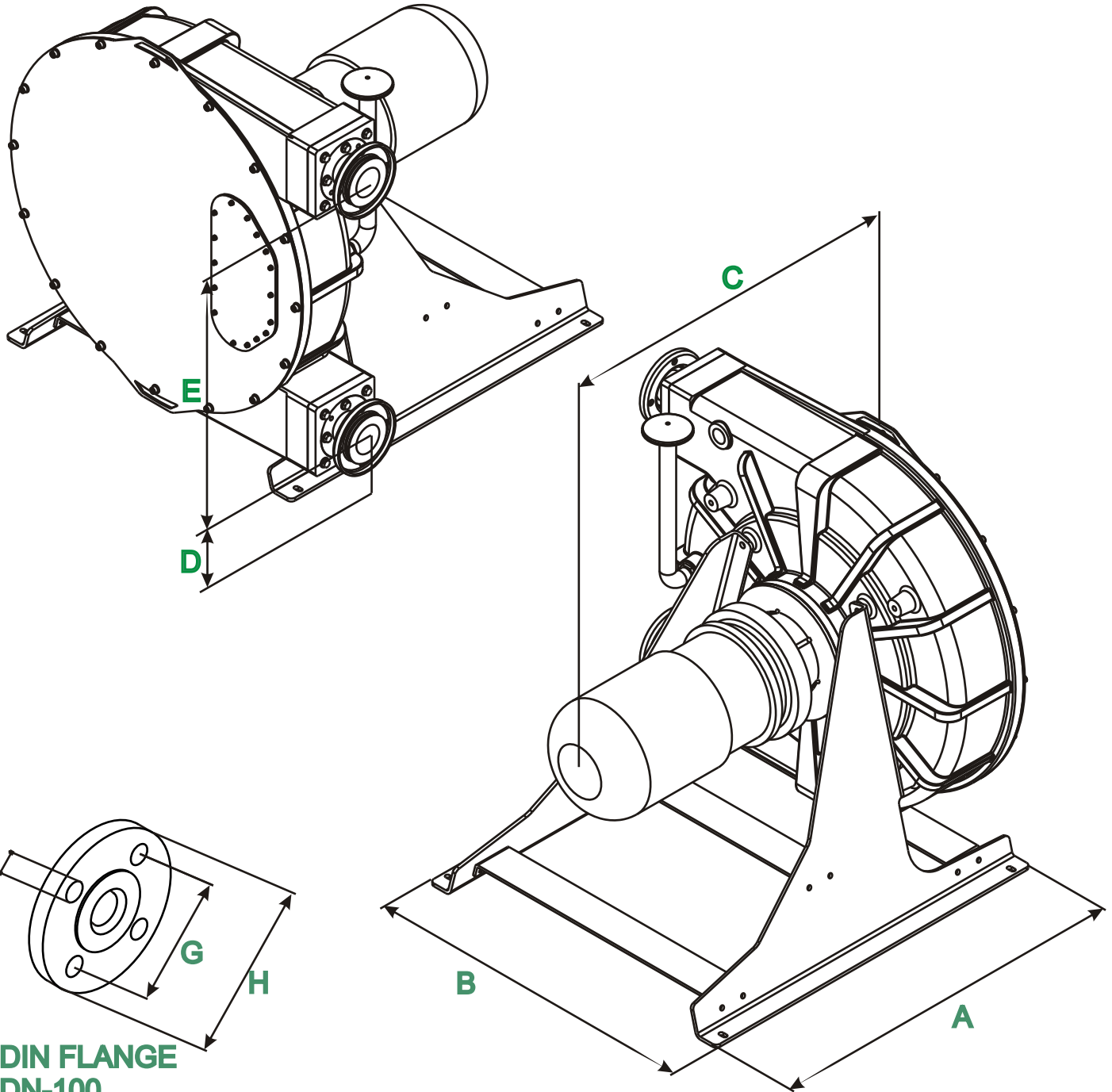


## Industrial Peristaltic Pumps

### RBT-100 Model



**DIN FLANGE  
DN-100**

A	B	C	D	E	F	G	H
1500	1380	*	237	1000	17,5	180	220

\* To confirm according type and power driver.