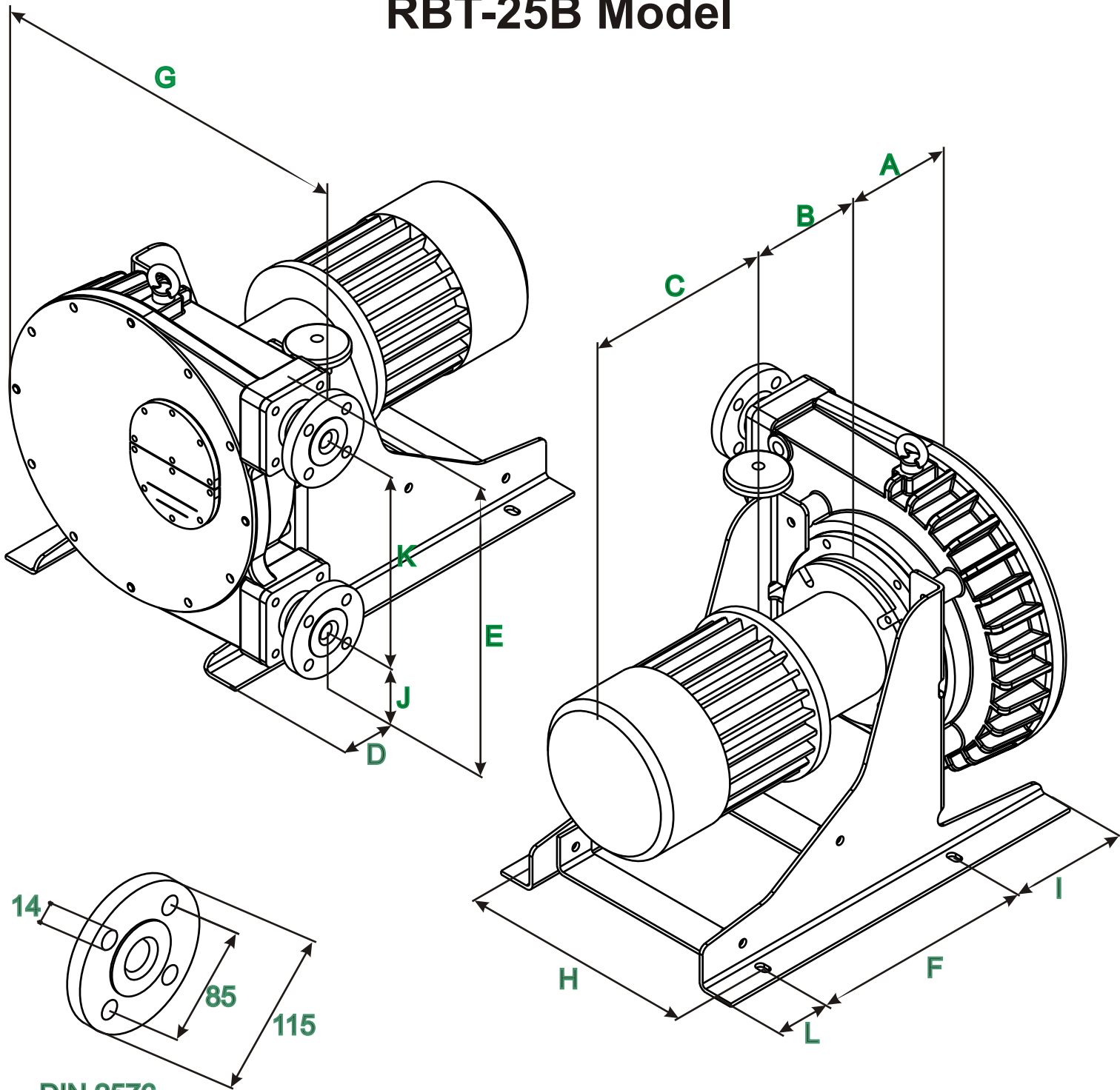


## Industrial Peristaltic Pumps

### RBT-25B Model

1.4.4.1 RBT-25B dimensional drawing - 10/02/2014



**DIN 2576**  
**DN-25 / PN-16**

A	B	C	D	E	F	G	H	I	J	K	L
127,5	*	*	60	425	305	471	305	160	100	262	75

\* To confirm according type and power driver.