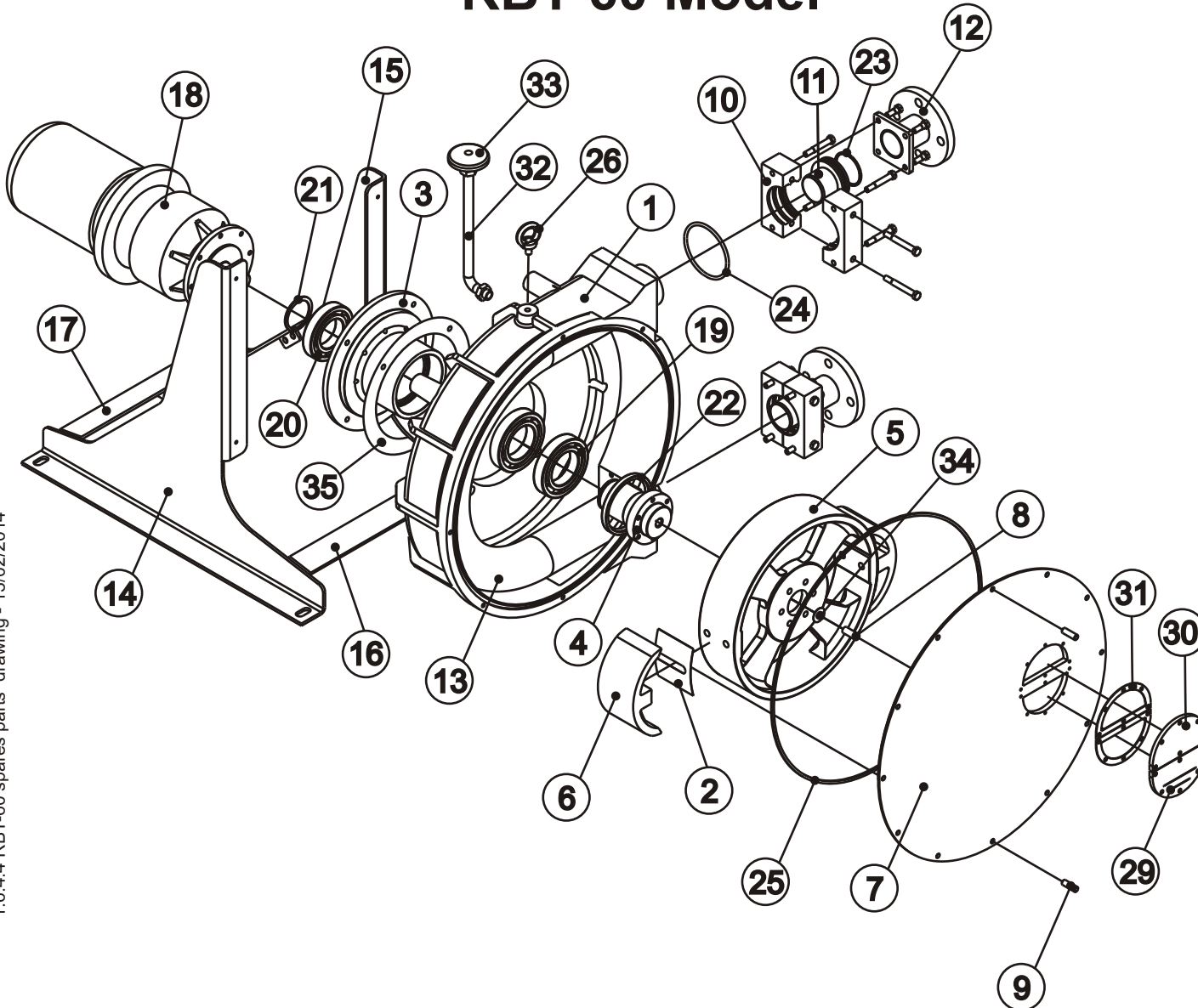


Industrial Peristaltic Pumps

RBT-60 Model



N°	DENOMINATION	N°	CODE
1	Pump casing	1	111.00.01
2	Shim		111.00.02
3	Ball bearing box	1	111.00.03
4	Rotor shaft	1	111.00.04
5	Rotor	1	111.00.05
6	Pressing shoe	2	111.00.06
7	Front cover	1	111.00.07
8	cap M24	1	111.00.08
9	Stud	4	106.00.27
10	Press flange	2	110.00.15
11	Insert S.S.	2	111.00.11
	Insert Polypropylene	2	111.00.35
	Insert PVDF	2	111.00.36
12	Connection flange DIN	2	111.00.12
	Connection flange ANSI	2	111.00.32
	Connection flange DIN (Halar)	2	111.00.33
	Connection flange ANSI (Halar)	2	111.00.34
13	Hose NR	1	111.00.18
	Hose NR-A	1	111.00.19
	Hose NBR	1	111.00.20
	Hose NBR-A	1	111.00.21
	Hose EPDM	1	111.00.22
14	Base left	1	111.00.14
15	Base right	1	111.00.15
16	Middle 100mm	1	111.00.16
17	Middle 60mm	2	111.00.17
18	Driver	1	
19	Ball bearing	2	111.00.28
20	Ball bearing B	1	111.00.29
21	Elastic o-ring for shaft	1	111.00.30
22	Lip seal	1	111.00.31
23	O-ring connection	2	111.00.23
24	O-ring hose	2	111.00.24
25	O-ring front cover	1	111.00.25
26	Eye bolt	1	111.00.26
27	Hexagonal nut	4	111.00.27
28	Drain plug RBT	2	100.00.44
29	Inspection window with level	1	111.00.38
30	Inspection window	1	111.00.39
31	Gasket inspection window	2	111.00.40
32	Air breather tube	1	111.00.41
	Air breather tube for leak. Detec.	1	111.00.42
33	Air breather cap	1	111.00.43
34	Gasket shaft cap	1	111.00.44
35	Gasket ball bearing box	1	111.00.45