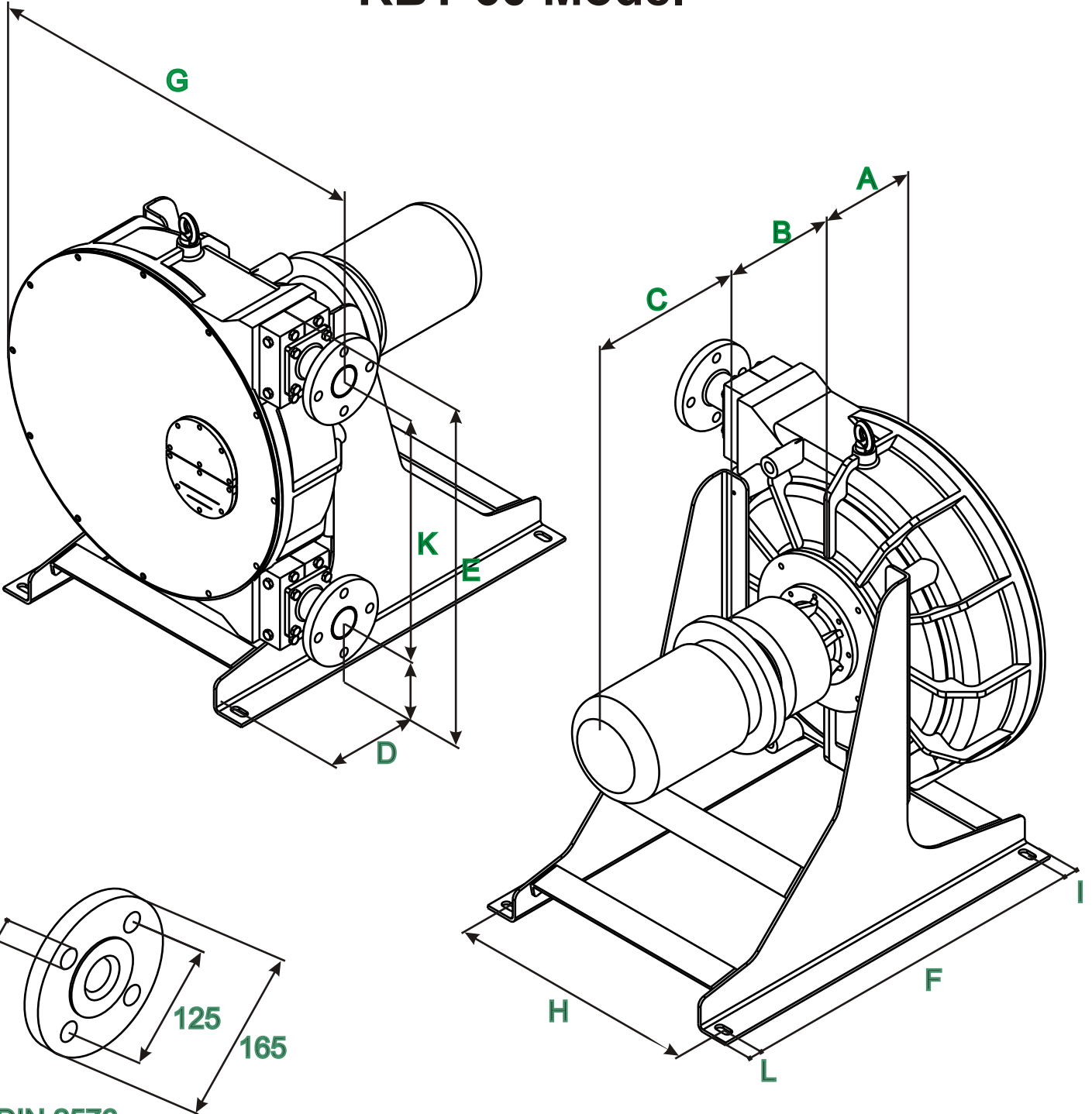


## Industrial Peristaltic Pumps

### RBT-60 Model



1.4.4.4 RBT-60 dimensional drawing - 10/02/2014

**DIN 2576**  
**DN-50 / PN-10**

A	B	C	D	E	F	G	H	I	J	K	L
215	*	*	111	805	740	735	500	25	210	510	25

\* To confirm according type and power driver.