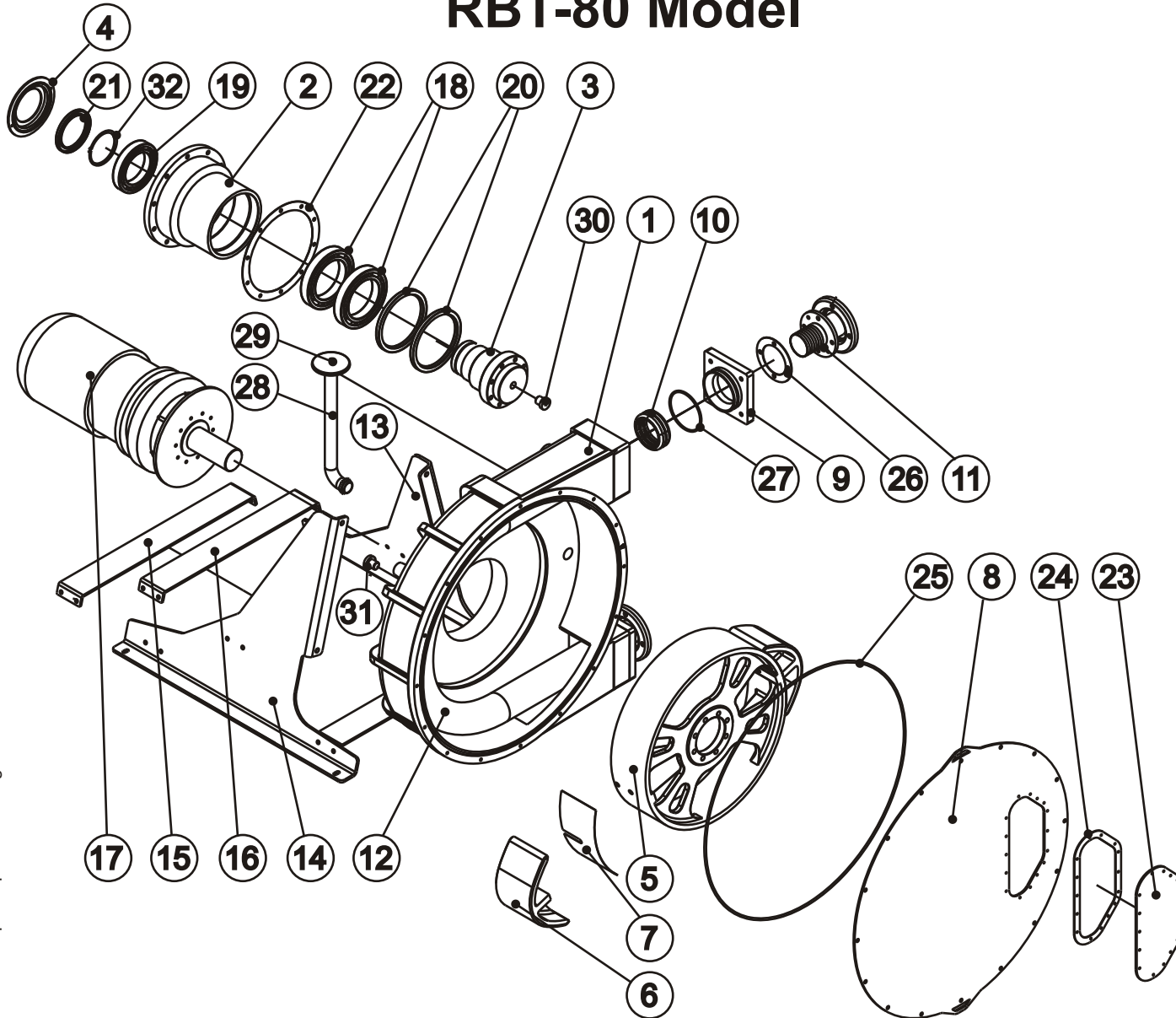


Industrial Peristaltic Pumps

RBT-80 Model



ITEM	DESCRIPTION	Q	CODE
1	Pump casing	1	118.00.01
2	Ball bearing box	1	119.00.02
3	Rotor shaft	1	119.00.03
4	Lip seal support (ball bearing box)	1	119.00.04
5	Rotor	1	118.00.02
6	Shoe	2	118.00.03
7	Shim	-	118.00.10
8	Front cover	1	118.00.08
9	Press flange	2	118.00.04
10	Press ring	2	118.00.06
11	Connection DN-80 Stainless Steel DIN Flange	2	118.00.05
	Connection 3" Stainless steel ANSI Flange	2	118.00.27
	Connection DN-80 Polypropylene DIN Flange	2	118.00.28
	Connection 3" Polypropylene ANSI Flange	2	118.00.29
	Connection DN-80 PVDF DIN Flange	2	118.00.30
	Connection 3" PVDF ANSI Flange	2	118.00.31
	Connection DN-80 Stainless steel DIN 11851	2	118.00.32
	Connection 4" Stainless steel Tri-Clamp	2	118.00.33
12	Hose NR	1	118.00.12
	Hose NBR	1	118.00.13
	Hose EPDM	1	118.00.14
	Hose NR-A	1	118.00.15
	Hose NBR-A	1	118.00.16
	Hose Hypalon	1	118.00.17
13	Base plate right painted steel	1	118.00.21
	Base plate right stainless steel	1	118.00.34
14	Base plate left painted steel	1	118.00.20
	Base plate left stainless steel	1	118.00.35
15	Base plate long separator painted steel	2	118.00.19
	Base plate long separator stainless steel	2	118.00.36
16	Base plate short separator painted steel	1	118.00.18
	Base plate short separator stainless steel	1	118.00.37
17	Driver	1	
18	Ball bearing anterior (ball bearing box)	2	119.00.33
19	Ball bearing posterior (ball bearing box)	1	119.00.34
20	Lip seal anterior (ball bearing box)	2	119.00.35
21	Lip seal posterior (ball bearing box)	1	119.00.36
22	Gasket (ball bearing box)	1	119.00.37
23	Inspection window	1	118.00.09
24	Gasket (inspection window)	1	118.00.11
25	O-Ring (front cover)	1	118.00.25
26	Gasket (connection)	2	118.00.07
27	O-Ring (press flange)	2	118.00.26
28	Air breather tube	1	118.00.22
29	Air breather cap	1	118.00.23
30	Cap (ball bearing box)	1	119.00.45
31	Drain plug	2	118.00.24
32	Segger ring (ball bearing box)	1	119.00.47