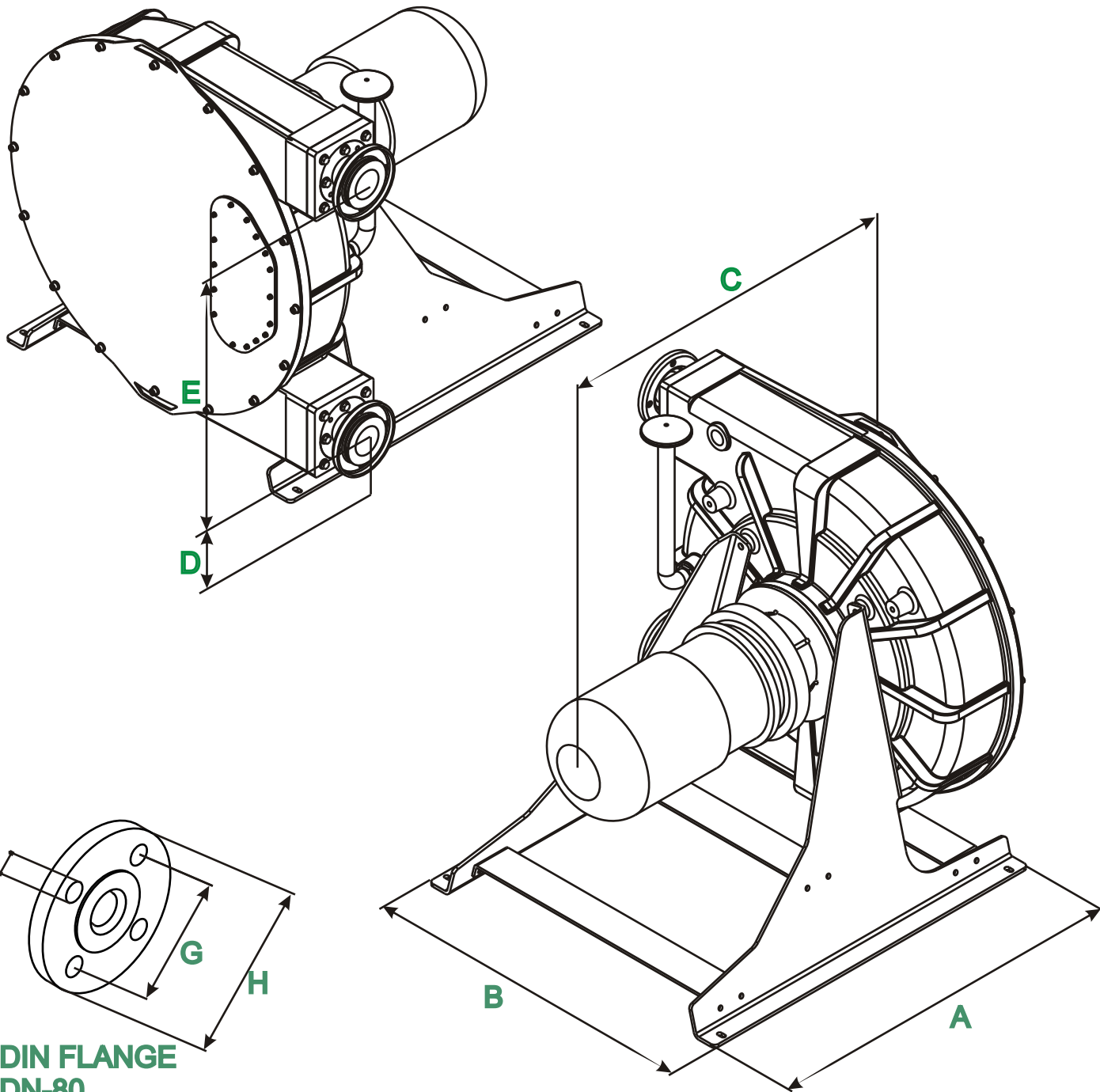


RBT-80 Model



1.4.4.6 RBT-80 dimensional drawing - 10/02/2014

**DIN FLANGE
DN-80**

A	B	C	D	E	F	G	H
1200	1093	1150 *	205	850	17,5	160	200

* To confirm according type and power driver.