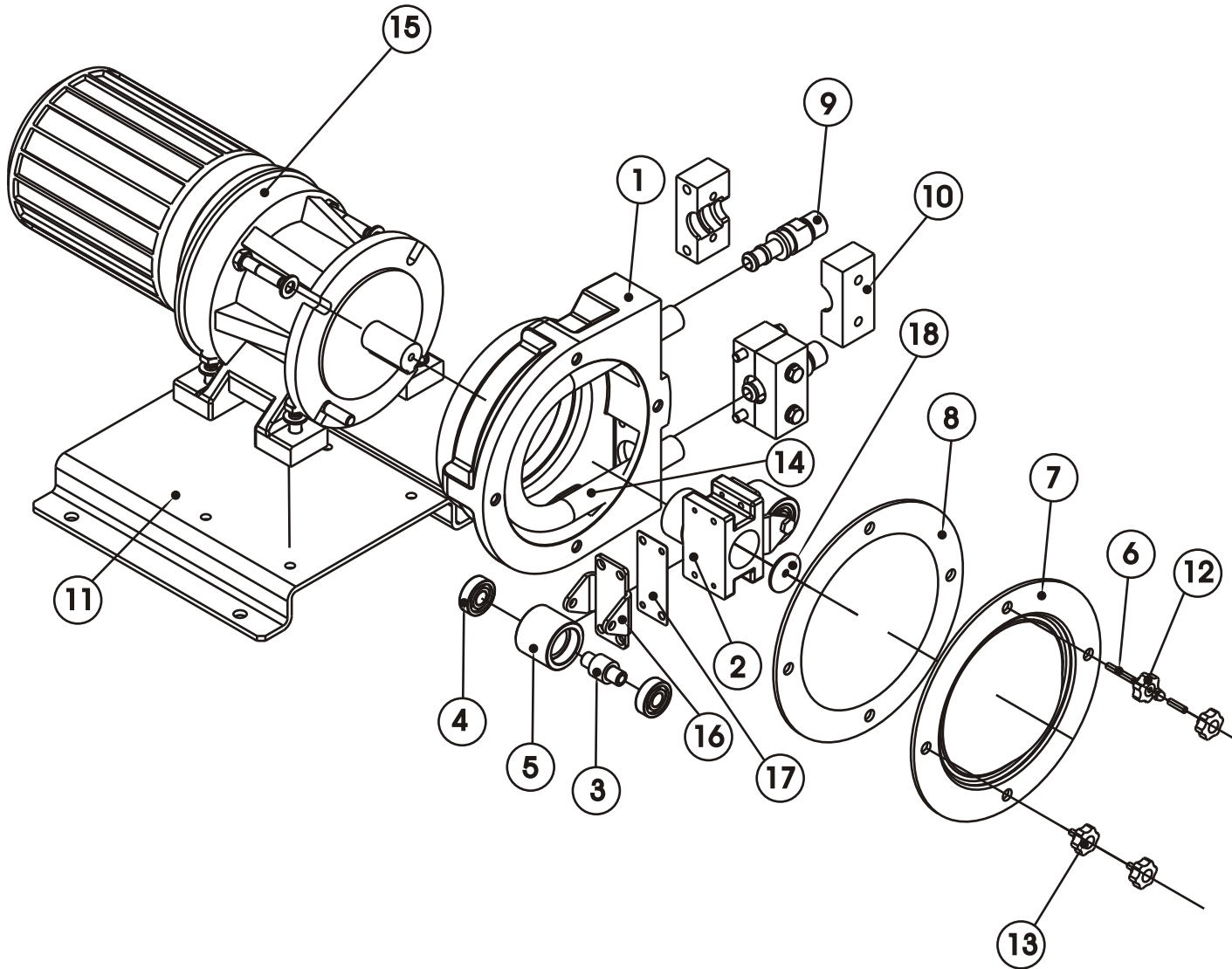




Industrial Peristaltic Pumps

AMP-1 3B Spare parts



ITEM	DESCRIPTION	Q	CODE
1	casing	1	102.01.01
2	rotor	1	102.01.03
	rotor (3 rollers)	1	102.01.11
3	roller shaft	2	102.01.04
4	roller ball bearing	4	102.01.02
5	roller	2	102.01.09
6	long stud	1	102.00.07
	short stud	3	102.00.14
7	front cover	1	102.01.08
8	gasket front cover	1	102.01.05
9	connection S.S.-BSP	2	103.00.10
	connection PP-BSP	2	103.00.15
	connection PVDF-BSP	2	103.00.16
	connection S.S.-NPT	2	103.00.17
	connection PP-NPT	2	103.00.18
	connection PVDF-NPT	2	103.00.19
	connection DIN NW-15	2	103.00.20
	connection SMS	2	103.00.21
	connection TRI-CLAMP 3/4"	2	103.00.22
10	press flange standard	2	103.00.11
	press flange (thermoplastic hose)	2	102.00.11
11	base plate	1	102.00.12
	base plate S.S.	1	102.00.24
12	press pommer	1	102.00.25
13	press pommel (blind)	3	102.00.26
14	hose NR	1	103.00.27
	hose NR-A	1	103.00.33
	hose NBR	1	103.00.28
	hose NBR-A	1	103.00.29
	hose EPDM	1	103.00.30
	hose NORPRENE	1	103.00.31
	hose HYPALON	1	103.00.32
15	driver	1	
16	roller support	2	102.01.06
	roller support (3 rollers)	3	102.01.13
17	shim		102.01.07
	shim (3 rollers)		102.01.14
18	roller washer	1	102.01.10