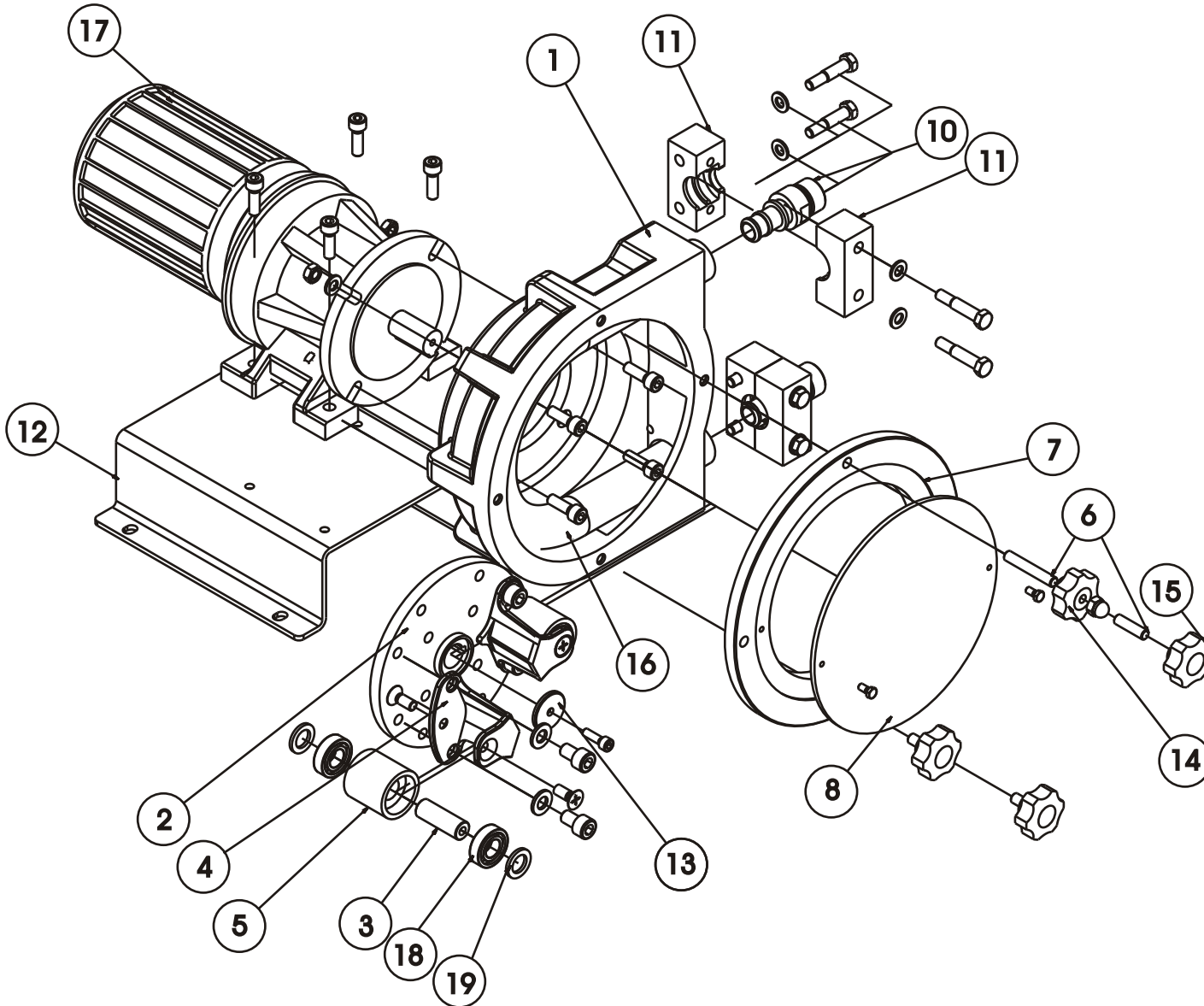




Industrial Peristaltic Pumps
AMP-16B Spare parts



ITEM	DESCRIPTION	Q	CODE
1	Pump casing	1	101.00.01
2	Rotor AMP-16B	1	101.01.03
3	Roller shaft AMP-16B	2	101.01.04
4	Roller support AMP-16B	2	101.01.34
5	Roller D40 AMP-16B	2	101.01.07
	Roller D48 AMP-16B	2	101.01.08
6	Long stud	1	102.00.07
	Short stud	3	102.00.14
7	Metallic cover	1	101.00.11
8	Plastic cover	1	101.00.12
9	Cover gasket AMP-16B	1	101.01.35
10	connection INOX-BSP	2	101.00.13
	conexión PP-BSP	2	101.00.14
	Connection PVDF-BSP	2	101.00.15
	Connection INOX-NPT	2	101.00.16
	Connection PP-NPT	2	101.00.17
	Connection PVDF-NPT	2	101.00.18
	Connection DIN	2	101.00.19
	Connection SMS	2	101.00.20
	Connection TRI-CLAMP	2	101.00.21
11	Press flange standard	2	101.00.22
	Press flange thermoplastic hose	2	101.00.23
12	Base plate	1	101.00.24
	Base plate S.S.	1	101.00.25
13	Rotor washer	1	102.00.13
14	Pommel	1	102.00.25
15	Pommel blind	3	102.00.26
16	Hose NR	1	101.00.26
	Hose NBR	1	101.00.27
	Hose NBR-A	1	101.00.32
	Hose EPDM	1	101.00.28
	Hose Norprene	1	101.00.30
	Hose NR-A	1	101.00.31
	Hose HYPALON	1	101.00.33
	Hose TYGON	1	101.00.29
17	Driver	1	
18	Roller ball bearings	4	101.01.36
19	Roller washer	4	101.01.05