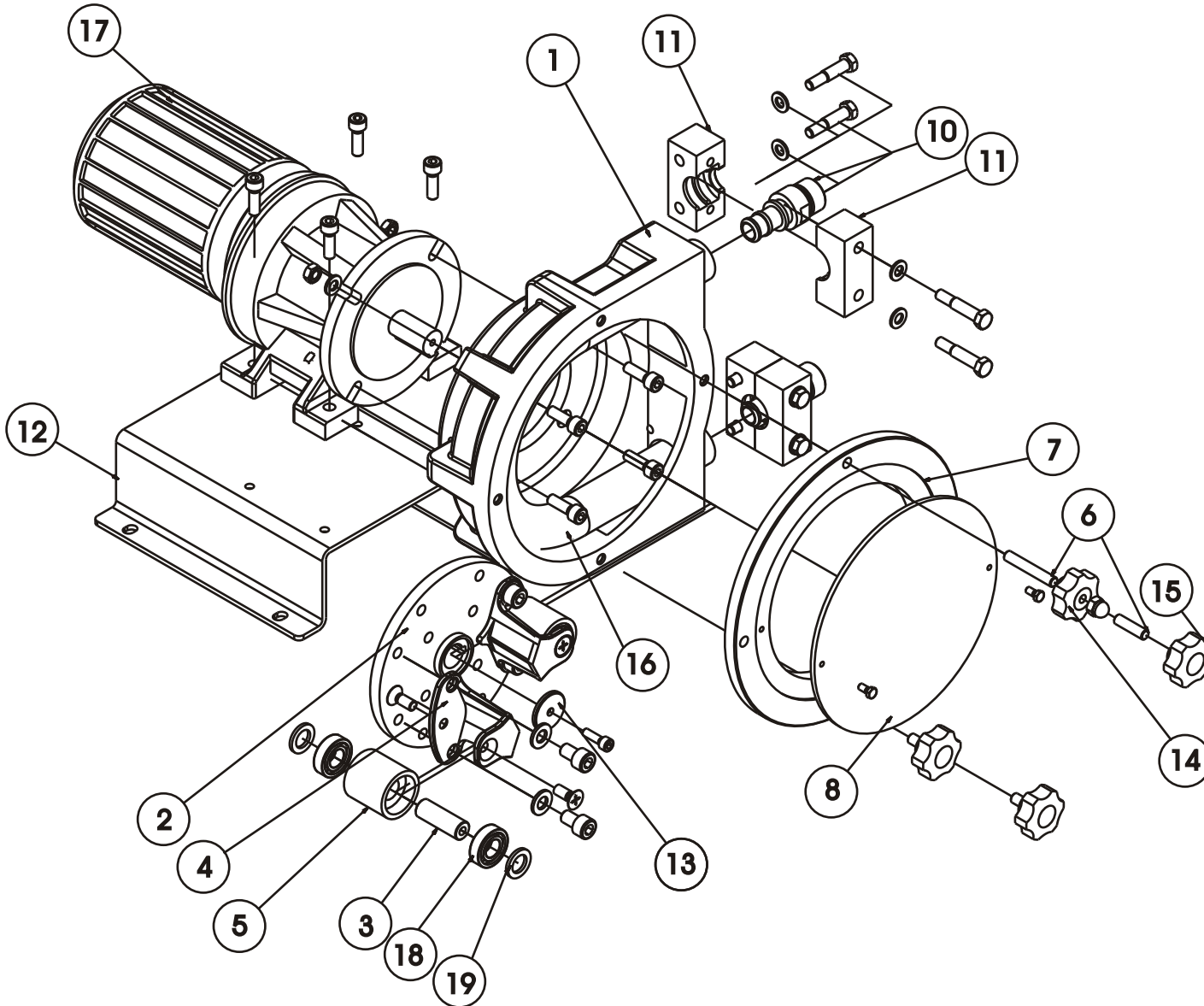




Industrial Peristaltic Pumps
AMP-19B Spare parts



| ITEM | NAME | Q | CODE |
|------|------------------------|---|-----------|
| 1 | Pump casing | 1 | 101.00.01 |
| 2 | Rotor AMP-19B | 1 | 101.01.03 |
| 3 | Roller shaft AMP-19B | 2 | 101.01.04 |
| 4 | Roller support AMP-19B | 2 | 101.01.34 |
| 5 | Roller AMP-19B | 2 | 105.01.07 |
| 6 | Long stud | 1 | 102.00.07 |
| | Short stud | 3 | 102.00.14 |
| 7 | Metallic cover | 1 | 101.00.11 |
| 8 | Plastic cover | 1 | 101.00.12 |
| 9 | Cover gasket | 1 | 101.01.35 |
| 10 | connection INOX-BSP | 2 | 105.00.13 |
| | connection PP-BSP | 2 | 105.00.14 |
| | Connection PVDF-BSP | 2 | 105.00.15 |
| | Connection INOX-NPT | 2 | 105.00.16 |
| | Connection PP-NPT | 2 | 105.00.17 |
| | Connection PVDF-NPT | 2 | 105.00.18 |
| | Connection DIN | 2 | 105.00.19 |
| | Connection SMS | 2 | 105.00.20 |
| | Connection TRI-CLAMP | 2 | 105.00.21 |
| 11 | Press plange standard | 2 | 101.00.22 |
| 12 | Base plate | 1 | 101.00.24 |
| | base plate S.S. | 1 | 101.00.25 |
| 13 | Rotor washer | 1 | 102.00.13 |
| 14 | Pommel | 1 | 102.00.25 |
| 15 | Pommel blind | 3 | 102.00.26 |
| 16 | Hose NORPRENE | 1 | 105.00.27 |
| | Hose TYGON | 1 | 105.00.26 |
| 17 | Driver | 1 | |
| 18 | Roller ball bearings | 4 | 101.01.36 |
| 19 | Roller washer | 4 | 101.01.05 |