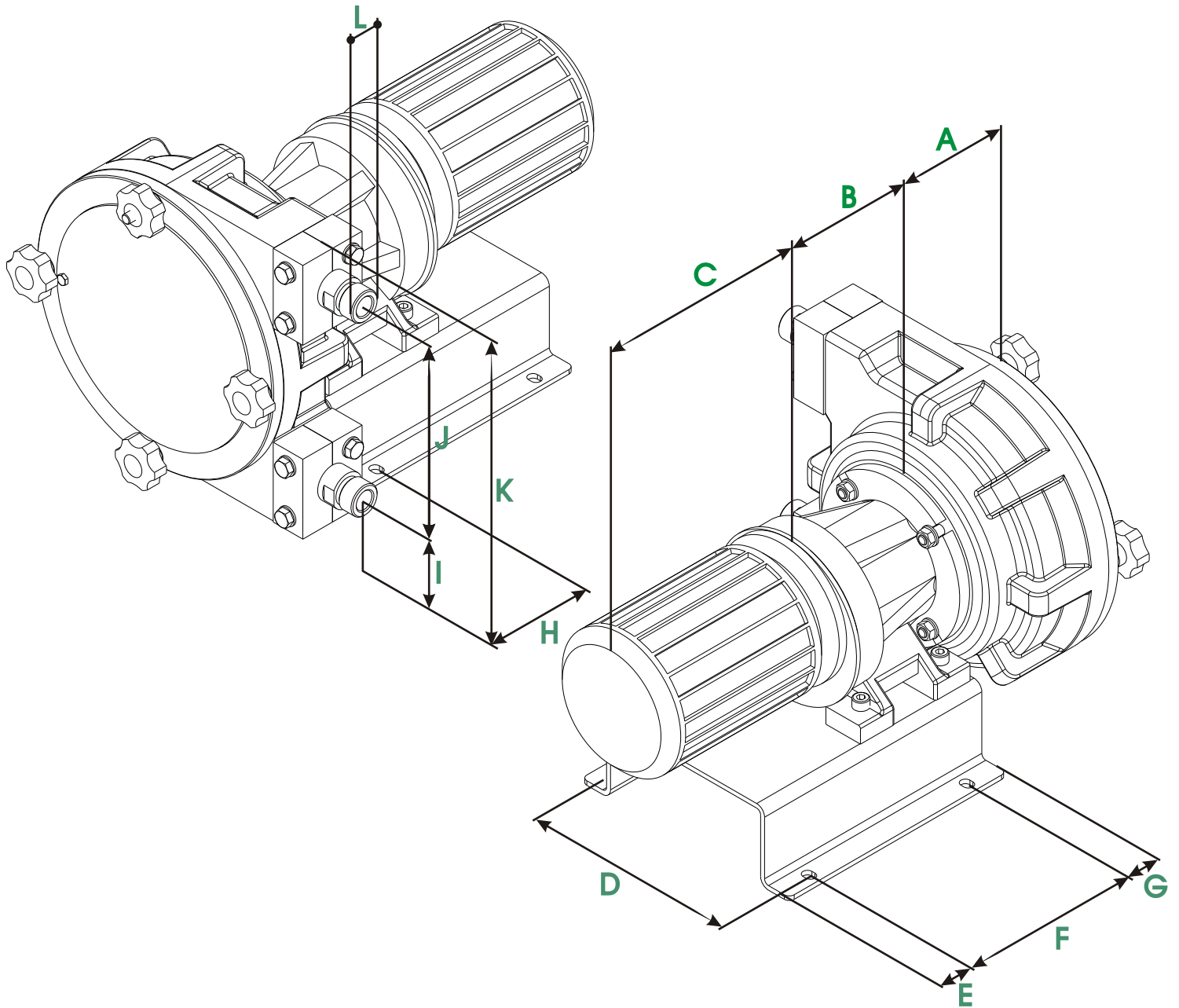




Industrial peristaltic Pumps

AMP-19C Dimensions



A	B	C	D	E	F	G	H	I	J	K	L
119	*	*	190	30	160	30	75	60	170	265	1" BSP

* To confirm according type and power driver.