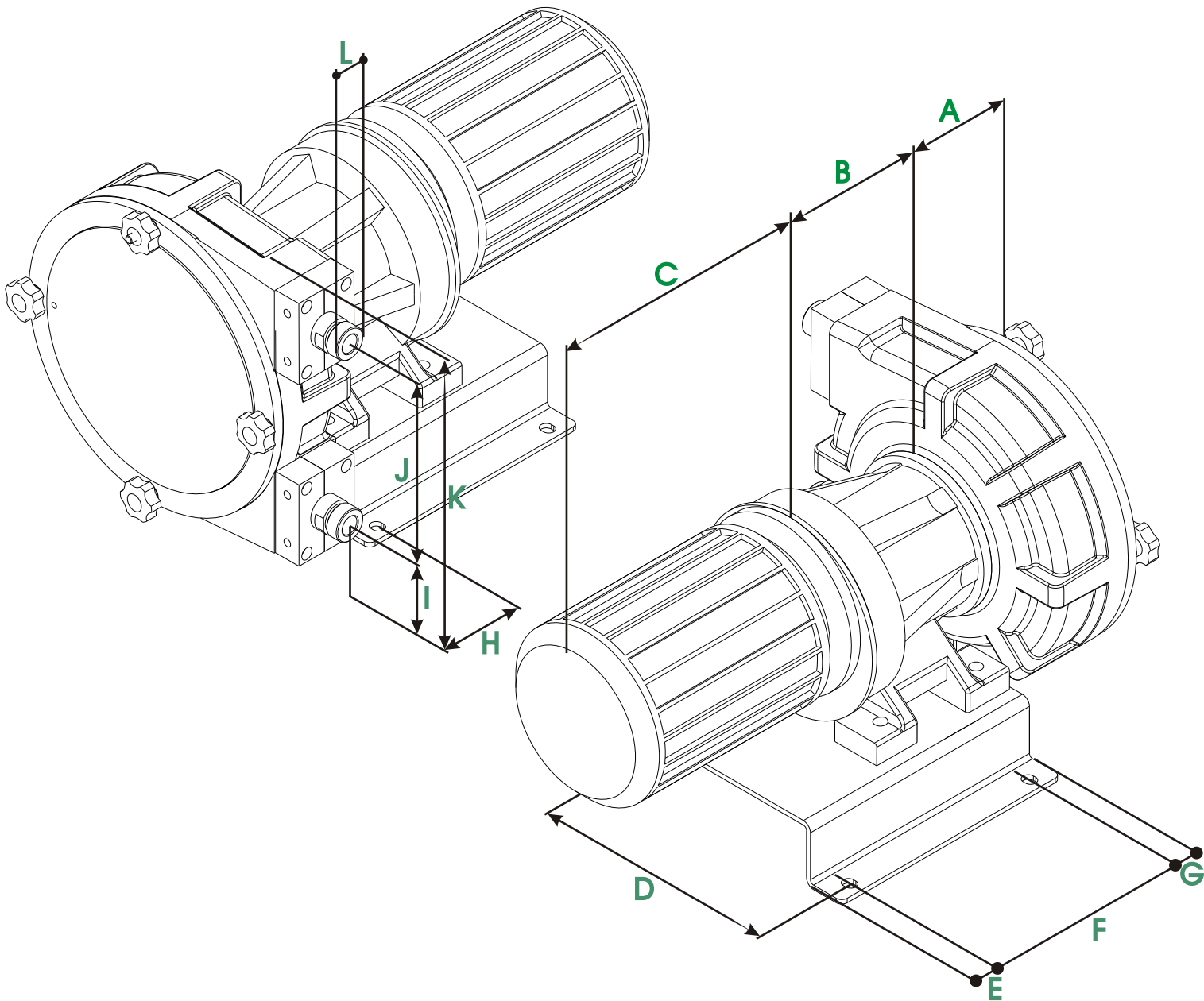


Industrial peristaltic Pumps

AMP-22 Dimensions



A	B	C	D	E	F	G	H	I	J	K	L
110	*	*	245	25	175	25	95	85	201	355	1" BSP

* To confirm according type and power driver.