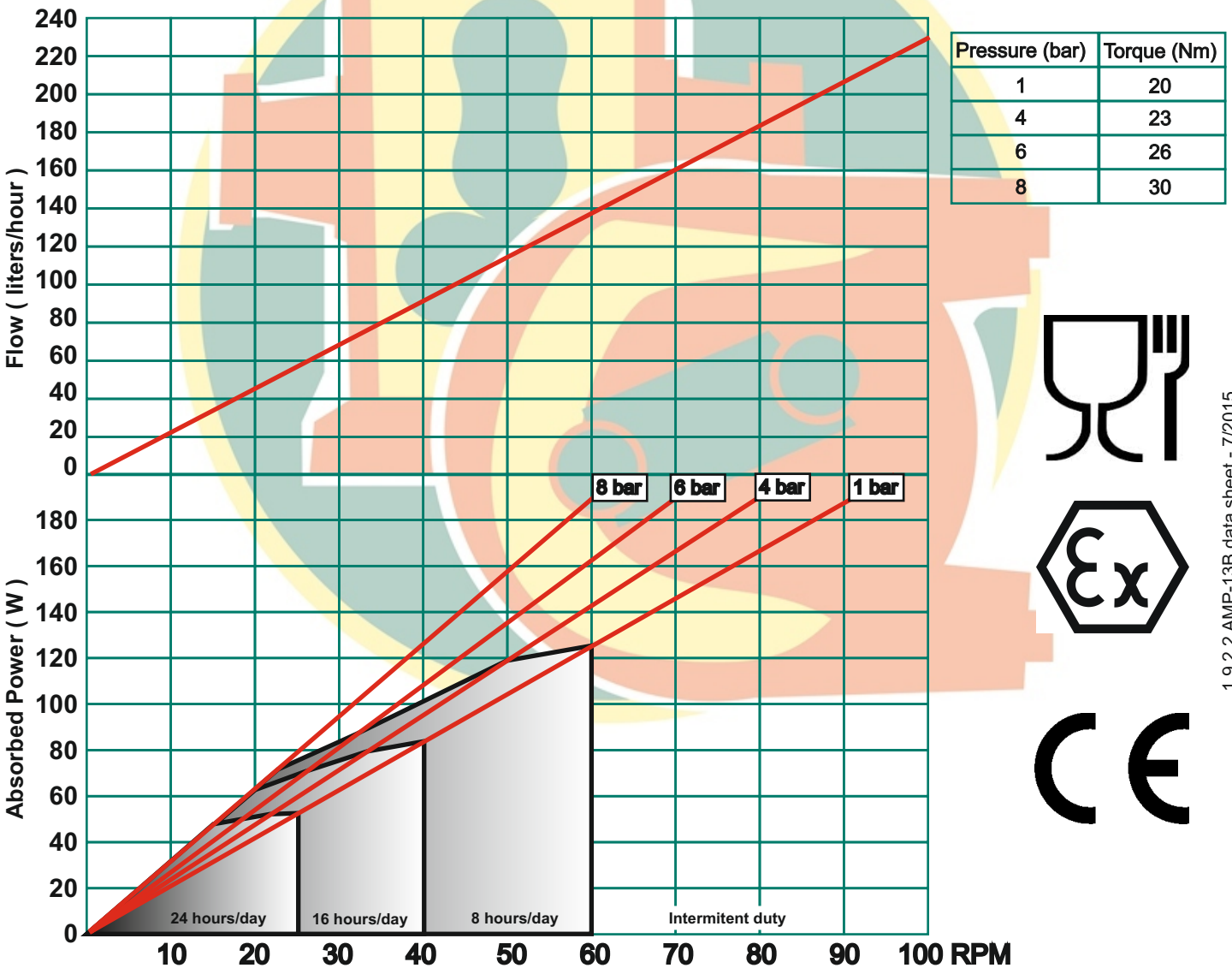


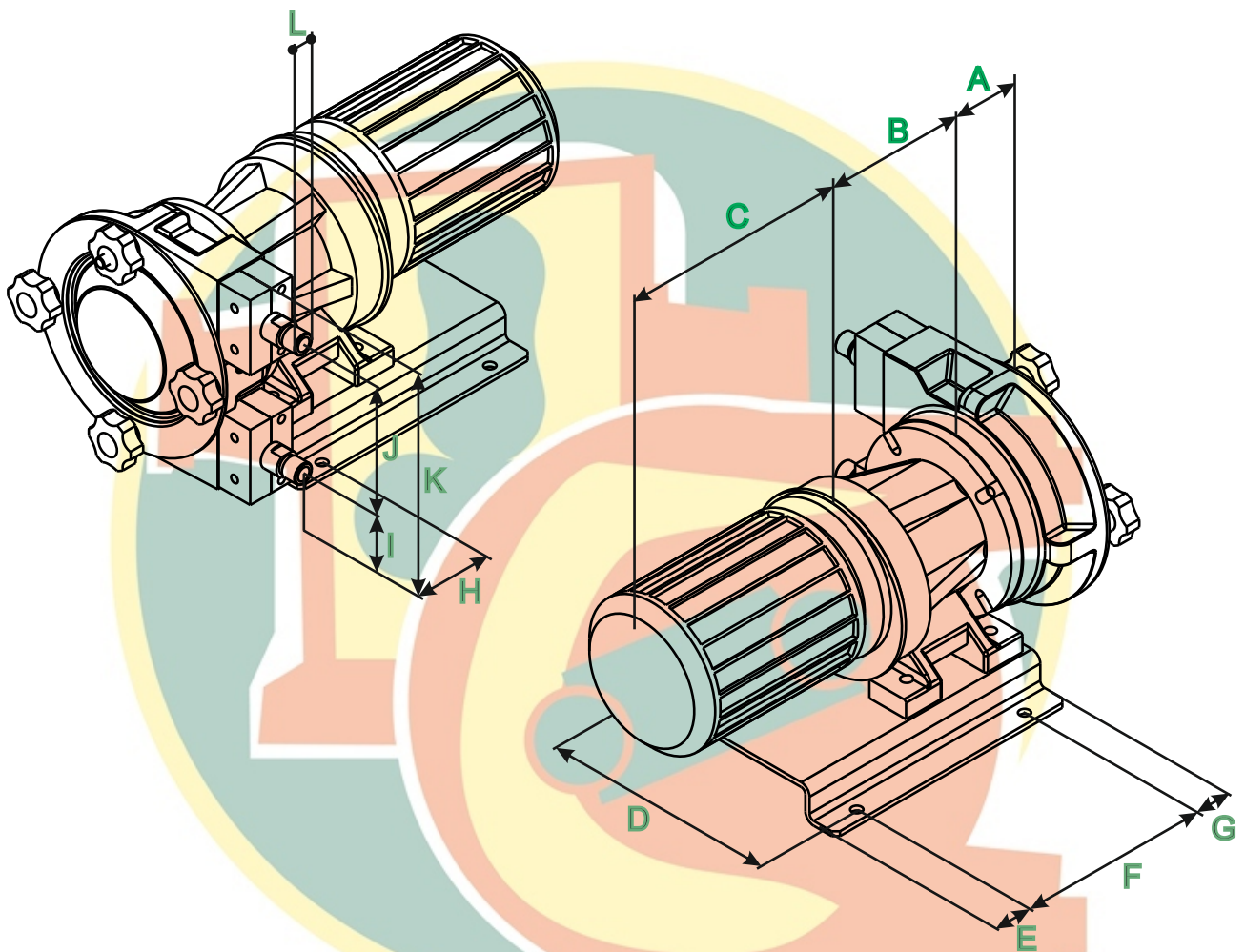
## Industrial Peristaltic Pumps AMP-13B Data sheet



**Capacity:** 0,038 l/rev.  
**Connections:** 3/8"  
**Max. Pressure:** 8 bar  
**Rotor system:** Rollers  
**Available hoses:** NR  
                           NBR  
                           EPDM  
                           HYPALON  
                           NR-A  
                           NBR-A  
**Available tubes:** Norprene



| Description  | Material  | Surface treatment                                    |
|--------------|---|--|
| Pump housing | Alluminium EN-AC-44100  | Polyester powder coated<br>Halar coated ( Optional ) |
| Front cover  | Methacrylate  | --   |
| Rotor        | Nodular Cast Iron EN-GJL-400  | Cataforesis  |
| Rollers      | Steel F-114   | Blueing  |
| Base plate   | Steel F-111<br>Stainless Steel AISI-304 ( Optional )                        | Polyester powder coated<br>--                        |
| Connections  | Stainless Steel AISI-316<br>Polypropylene ( Optional )<br>PVDF ( Optional ) | --   |



| A  | B | C | D   | E  | F   | G  | H  | I  | J   | K   | L        |
|----|---|---|-----|----|-----|----|----|----|-----|-----|----------|
| 70 | * | * | 190 | 30 | 160 | 30 | 61 | 60 | 115 | 210 | 3/8" BSP |



Bombas Boyser, S.L. C/. Narcís Monturiol, 24 · Pol. Ind. Can Magre  
Telf.: 93 844 77 78 · 08187 Sta. Eulàlia de Ronçana (BARCELONA)  
[info@boyser.com](mailto:info@boyser.com) · [www.boyser.com](http://www.boyser.com)

