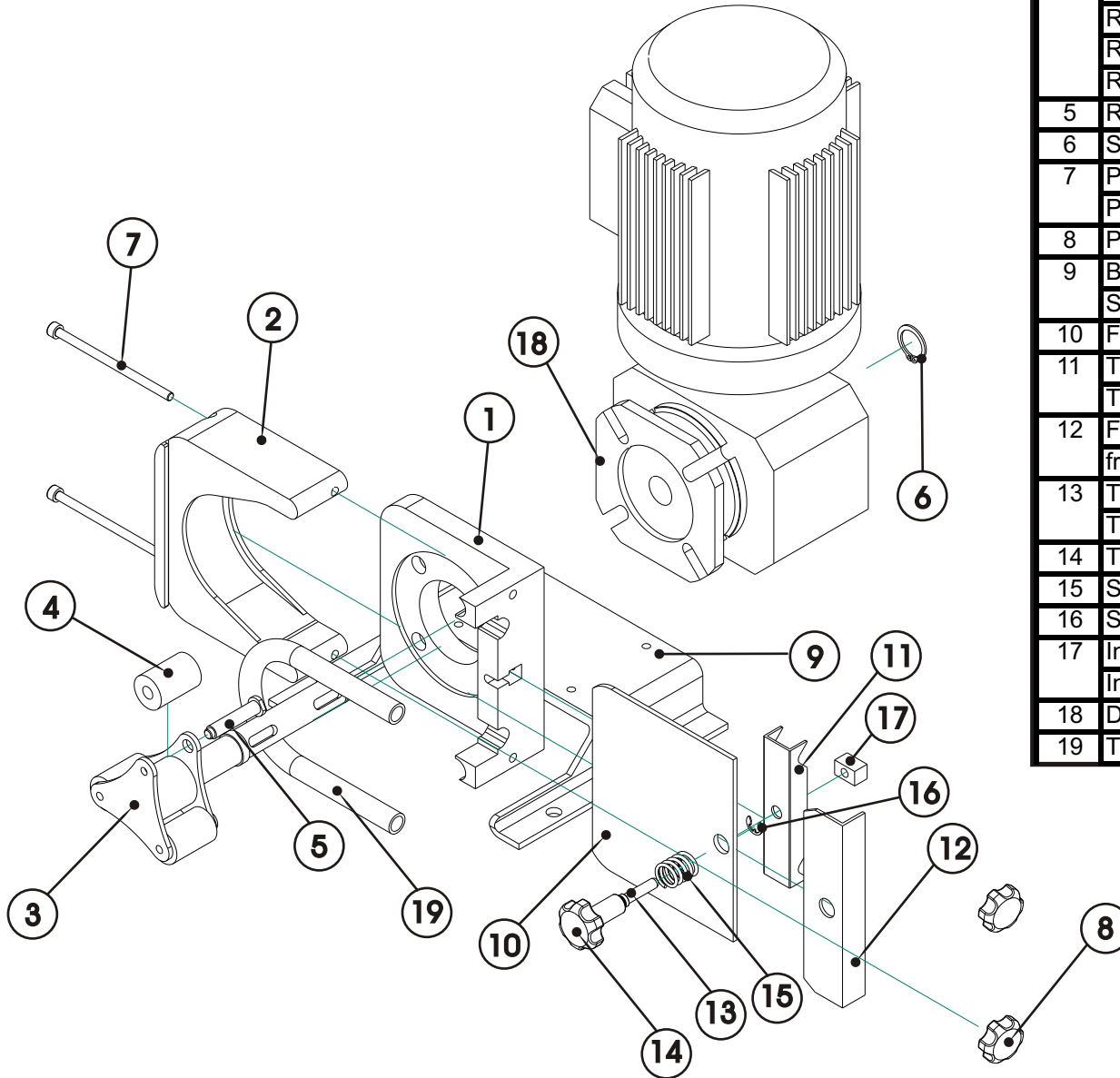




Bombas Peristálticas Industriales

DS-M Spare parts



ITEM	DESCRIPTION	Q	CODE
1	Pump support	1	115.00.01
2	Pump body	1	115.00.02
3	Rotor with steel shaft	1	115.00.03
	Rotor with Stainless Steel Shaft	1	115.00.04
4	Roller (tube wall thickness 2,4 mm) plastic A	3	115.00.05
	Roller (tube wall thickness 2,4 mm) plastic B	3	115.00.06
	Roller (tube wall thickness 1,6 mm) plastic A	3	115.00.07
	Roller (tube wall thickness 1,6 mm) plastic B	3	115.00.08
5	Roller Shaft	3	115.00.09
6	Shaft seeger ring	1	115.00.10
7	Pump screw	2	115.00.11
	Pump screw Stainless Steel	2	115.00.12
8	Pump press pommel	2	115.00.13
9	Base plate	1	115.00.14
	Stainless Steel Base Plate	1	115.00.15
10	Front cover plastic part (polycarbonate)	1	115.00.16
11	Tube pressing part (Steel)	1	115.00.17
	Tube pressing part (Stainless Steel)	1	115.00.18
12	Front cover metallic Part (Steel)	1	115.00.19
	front cover Stainless Steel part	1	115.00.20
13	Tube pressing pommel (Steel)	1	115.00.21
	Tube pressing pommel (Stainless Steel)	1	115.00.22
14	Tube pressing pommel (plastic part)	1	115.00.23
15	Spring	1	115.00.24
16	Seeger (pressing pommel)	1	115.00.25
17	Insert	1	115.00.26
	Insert (Stainless Steel)	1	115.00.27
18	Driver	1	
19	Tube	1	115.00.28