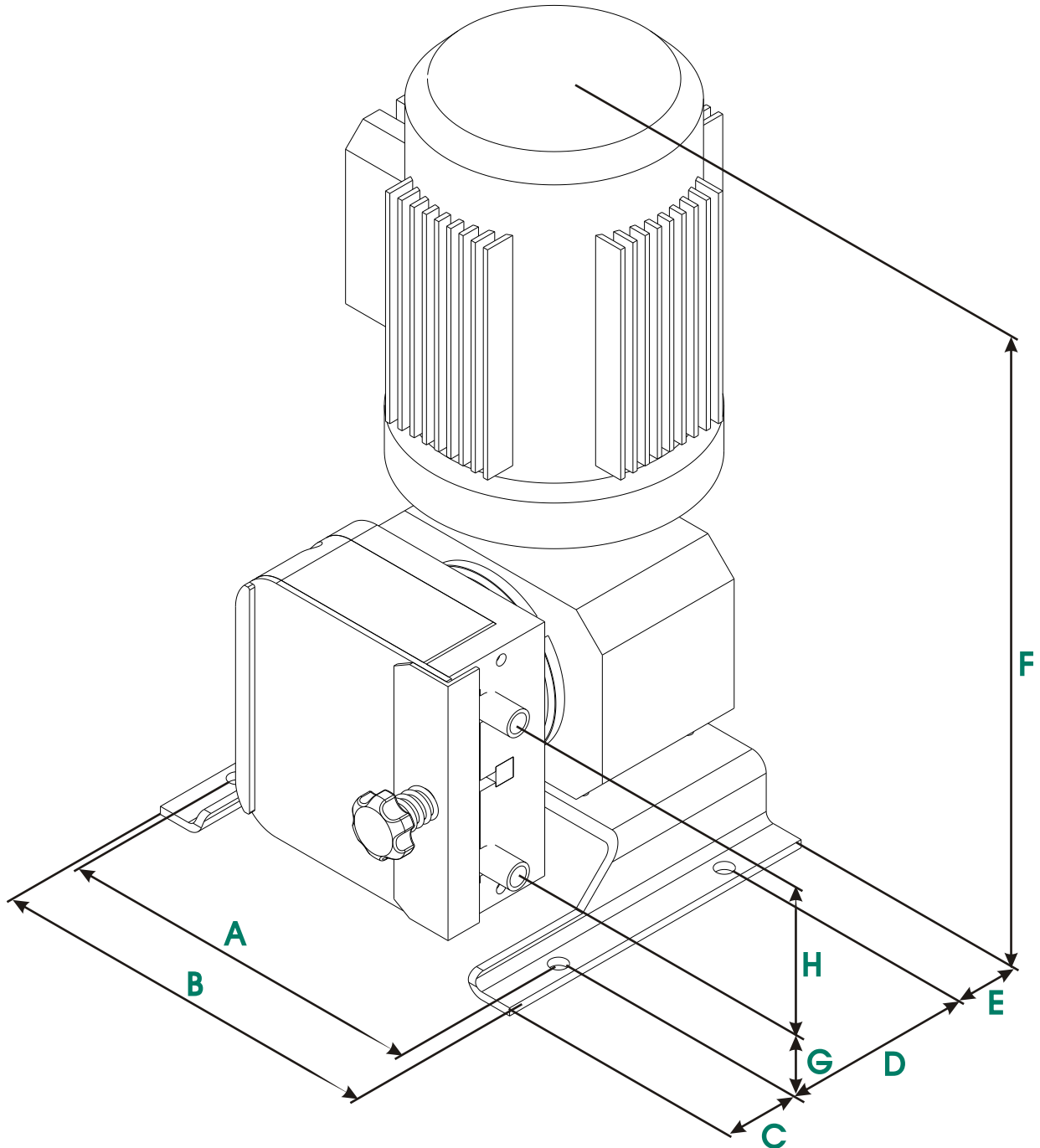




# Industrial Peristaltic pumps

## DS-M Dimensions



A	B	C	D	E	F*	G	H
180	200	36	95	36	344	47	76

\* To confirm according type and power driver.