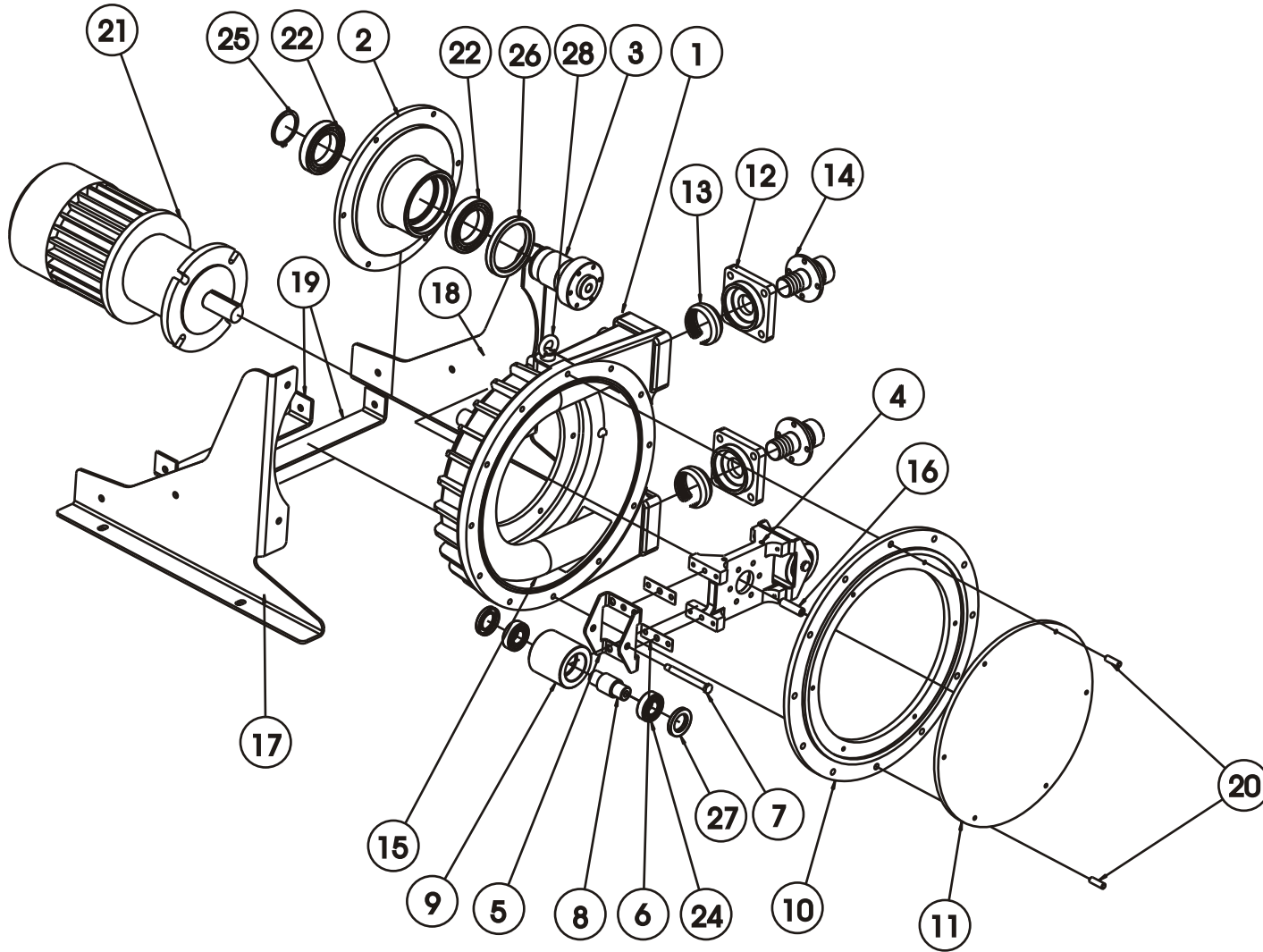




Industrial Peristaltic Pumps
FMP-30 Spare parts



ITEM	NAME	Q	CODE
1	Pump body	1	107.00.01
2	Ball bearing box	1	107.00.03
3	Rotor shaft	1	107.00.04
4	Rotor	1	107.00.05
5	Roller support	2	107.00.06
6	Shim		107.00.07
7	Shaft screw	2	107.00.08
8	Roller shaft	2	107.00.09
9	Roller	2	107.00.11
10	Metallic cover	1	107.00.13
11	Polycarbonate cover	1	107.00.14
12	Press flange	2	107.00.15
13	Press ring	2	100.00.05
14	Connection SS 1 1/4" BSP	2	107.00.17
	Connection SS 1 1/4" NPT	2	107.00.34
	Connection DIN 11851 NW32	2	107.00.35
	Connection TRI-CLAMP	2	107.00.36
	Connection flange DIN DN32 INOX	2	107.00.37
	Connection flange ANSI DN32 INOX	2	107.00.38
	Connection polypropylene 1 1/4" BSF	2	107.00.39
15	Peristaltic hose NR	1	107.00.18
	Peristaltic hose NR-A	1	107.00.19
	Peristaltic hose NBR	1	107.00.20
	Peristaltic hose NBR-A	1	107.00.21
	Peristaltic hose EPDM	1	107.00.22
16	Shaft cap	1	110.00.23
17	Base left	1	100.01.24
	Base left S.S.	1	100.01.34
18	Base right	1	100.01.25
	Base right S.S.		100.01.35
19	Base middle	2	100.01.26
	Base middle S.S.		100.01.36
20	Stud	2	102.00.14
21	Driver	1	
22	Ball bearings	2	100.01.28
24	Ball bearing roller	4	107.00.30
25	Ring for shaft	1	100.01.31
26	Lip seal box	1	100.01.32
27	Lip seal roller	4	107.00.33
28	Eye bolt	1	106.00.40
29	Drain plug FMP	3	107.00.41