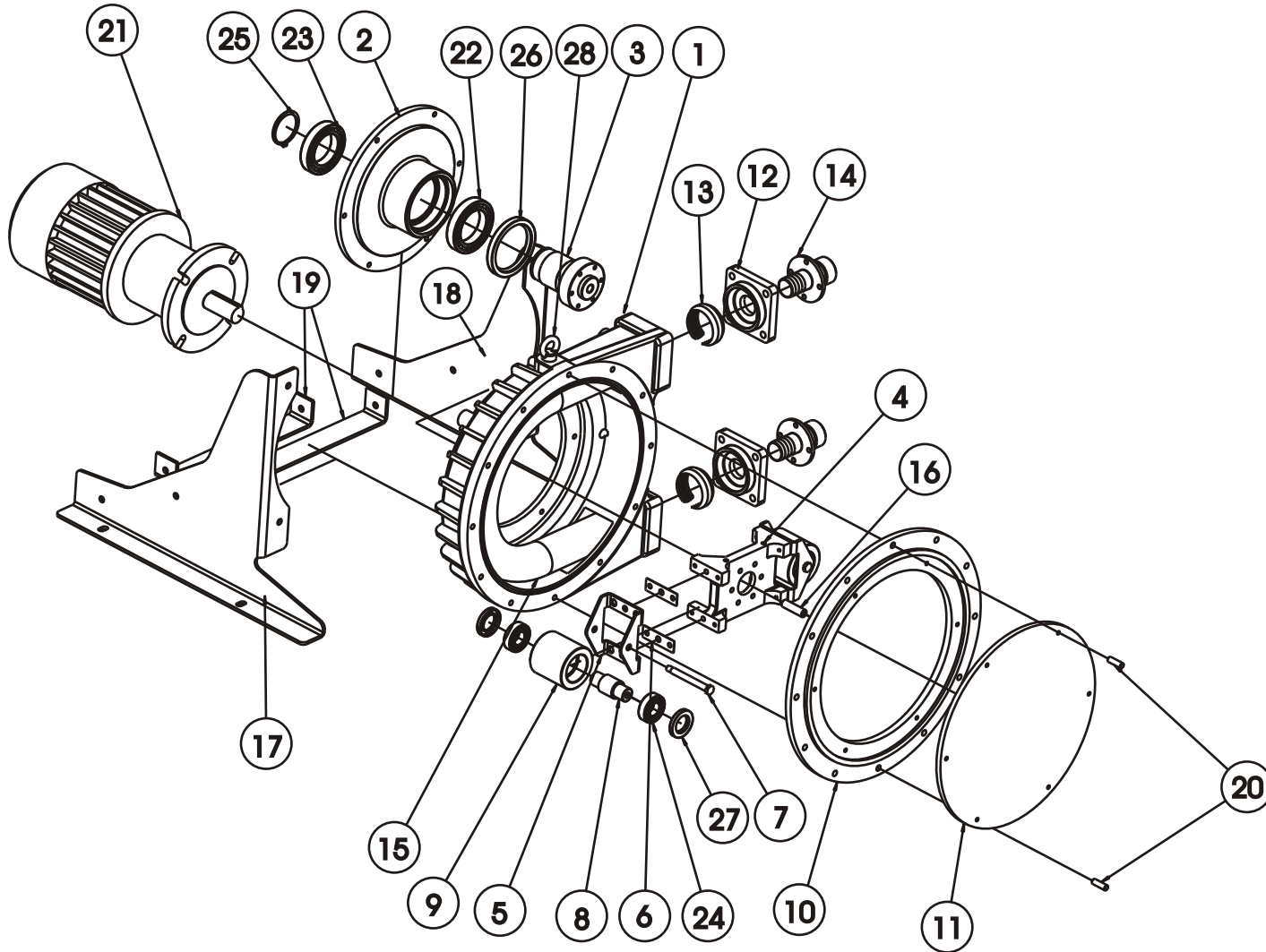




Industrial Peristaltic Pumps
FMP-40 Spare parts



ITEM	NAME	Q	CODE
1	Pump body	1	106.00.01
2	Ball bearing box	1	106.00.03
3	Rotor shaft	1	106.00.04
4	Rotor	1	106.00.05
5	Roller support	2	106.00.06
6	Shim 1mm		106.00.07
	Shim 4mm		106.00.49
7	Shaft screw	2	106.00.08
8	Roller shaft	2	106.00.09
9	Roller	2	106.00.11
10	Metallic cover	1	106.00.13
	Metallic cover vacuum equipment	1	106.00.43
11	Polycarbonate cover	1	106.00.14
12	Press flange	2	106.00.15
13	Press ring	2	104.00.05
14	Connection SS 1 1/2" BSP	2	106.00.17
	Connection SS 1 1/2" NPT	2	106.00.34
	Connection DIN 11851 NW40	2	106.00.35
	Connection TRI-CLAMP	2	106.00.36
	Connection flange DIN DN40 INOX	2	106.00.37
	Connection flange ANSI DN40 INOX	2	106.00.38
	Connection polypropylene 1 1/2" BSP	2	106.00.39
	Connection PVDF 1 1/2" BSP	2	106.00.41
	Connection polypropylene 1 1/2" NPT	2	106.00.47
	Connection SMS-38	2	106.00.42
15	Peristaltic hose NR	1	106.00.18
	Peristaltic hose NR-A	1	106.00.19
	Peristaltic hose NBR	1	106.00.20
	Peristaltic hose NBR-A	1	106.00.21
	Peristaltic hose EPDM	1	106.00.22
	Peristaltic hose HYPALON	1	106.00.48
16	Shaft cap	1	110.00.23
17	Base left	1	106.00.24
	Base left S.S.	1	106.00.44
18	Base right	1	106.00.25
	Base right S.S.	1	106.00.45
19	Base middle	2	106.00.26
	Base middle S.S.	2	106.00.46
20	Stud	2	106.00.27
21	Driver	1	
22	Ball bearing anterior	1	106.00.28
23	Ball bearing posterior	1	106.00.29
24	Ball bearing roller	4	106.00.30
25	Ring for shaft	1	106.00.31
26	Lip seal box	1	106.00.32
27	Lip seal roller	4	106.00.33
28	Eye bolt	1	106.00.40
29	Drain plug FMP	3	107.00.41