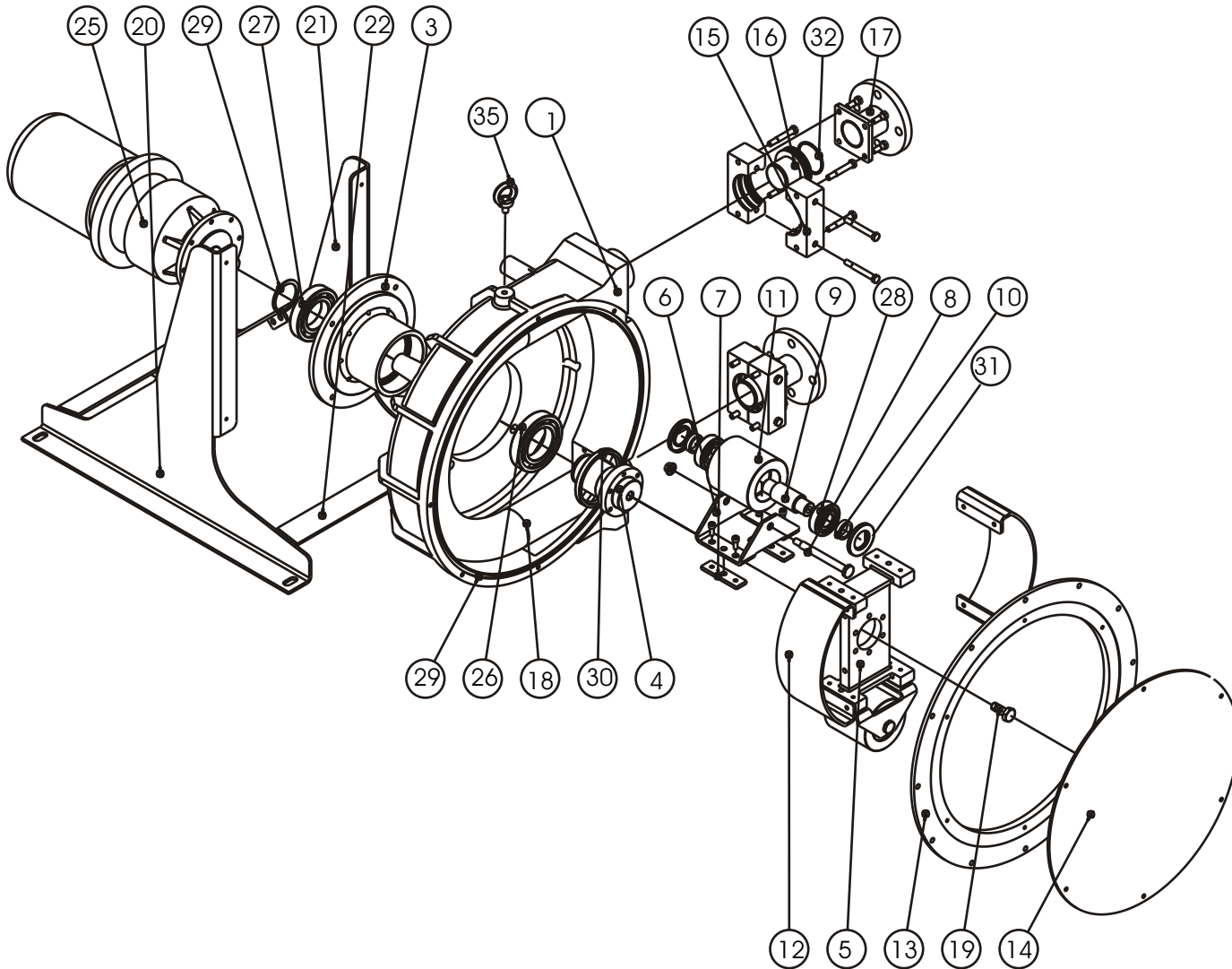




Industrial Peristaltic Pumps
FMP-60 Spare parts



ITEM	NAME	Q	CODE
1	Pump housing	1	110.00.01
3	Ball bearing box	1	110.00.03
4	Rotor shaft	1	110.00.04
5	Rotor	1	110.00.05
6	Roller support	2	110.00.06
7	Shim 1mm		110.00.07
	Shim 7mm		110.00.55
	Shim 5mm		110.00.56
8	Shaft screw	2	110.00.08
9	Roller shaft	2	110.00.09
10	Separator	4	110.00.10
11	Roller	2	110.00.11
12	Lateral rotor	2	110.00.12
13	O-ring cover	1	110.00.13
14	Front cover transparent	1	110.00.14
15	Press flange	2	110.00.15
16	Insert S.S.	2	110.00.16
	Insert Polypropylene	2	110.00.46
	Insert PVDF	2	110.00.47
17	Connection flange DIN	2	110.00.17
	Connection flange ANSI	2	110.00.41
	Connection TRI-CLAMP	2	110.00.42
	Connection DIN 11851	2	110.00.43
	Connection flange DIN (Halar)	2	110.00.44
	Connection flange ANSI (Halar)	2	110.00.45
18	Hose NR	1	110.00.18
	Hose NR-A	1	110.00.19
	Hose NBR	1	110.00.20
	Hose NBR-A	1	110.00.21
	Hose EPDM	1	110.00.22
	Hose HYPALON	1	110.00.54
19	Bearing box cap	1	110.00.23
20	Base left	1	110.00.37
	Base left S.S.	1	110.00.48
21	Base right	1	110.00.38
	Base right S.S.	1	110.00.49
22	Middle 100mm	1	110.00.39
	Middle 100mm S.S.	1	110.00.50
23	Middle 60mm	2	110.00.40
	Middle 60mm S.S.	2	110.00.51
24	Stud	2	106.00.27
25	Driver	1	
26	box anterior ball bearing	1	110.00.26
27	box posterior ball bearing	1	110.00.27
28	Roller ball bearing	4	110.00.28
29	Elastic o-ring for shaft	1	110.00.29
30	bearing box lip seal	1	110.00.30
31	roller lip seal	1	110.00.31
32	O-ring connection	2	110.00.32
34	O-ring cover	1	110.00.33
35	Eye bolt	1	110.00.34
36	Nut	2	110.00.35
37	Nut	2	110.00.36
38	Drain plug FMP	3	107.00.41
39	Check valve	1	110.00.53