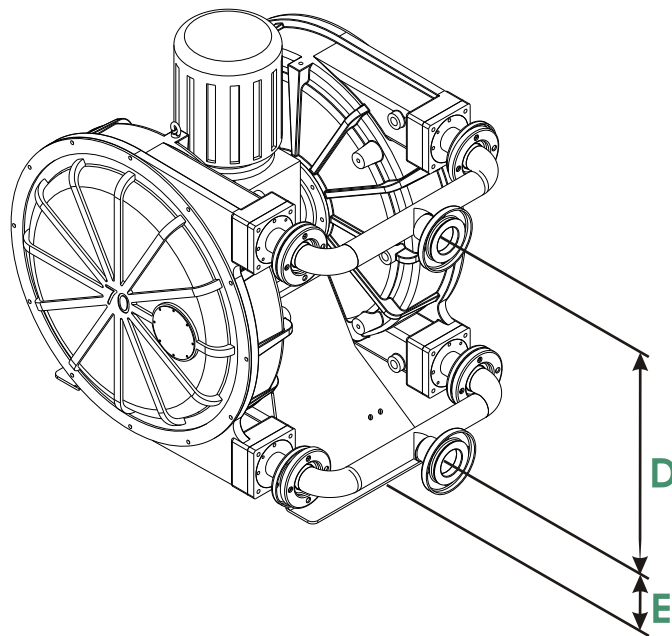
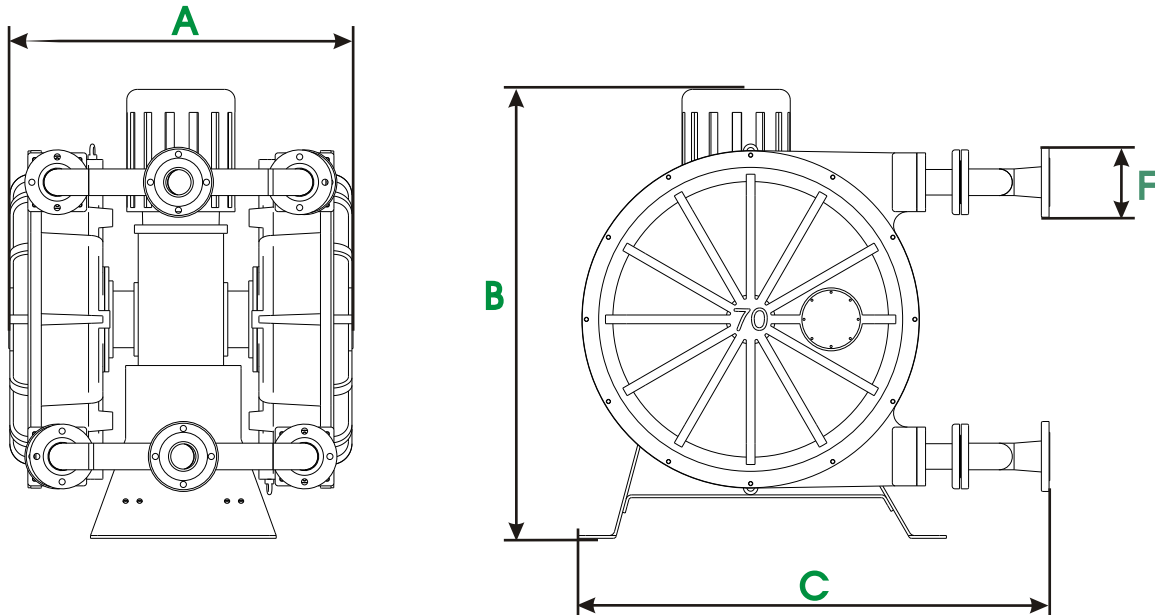




# Industrial Peristaltic Pumps

## FMP-70/D Dimensions



<b>A</b>	<b>B*</b>	<b>C</b>	<b>D</b>	<b>E</b>	<b>F</b>
985	1285	1345	785	235	FLANGE DIN DN-80

\* To confirm according power and type drive.