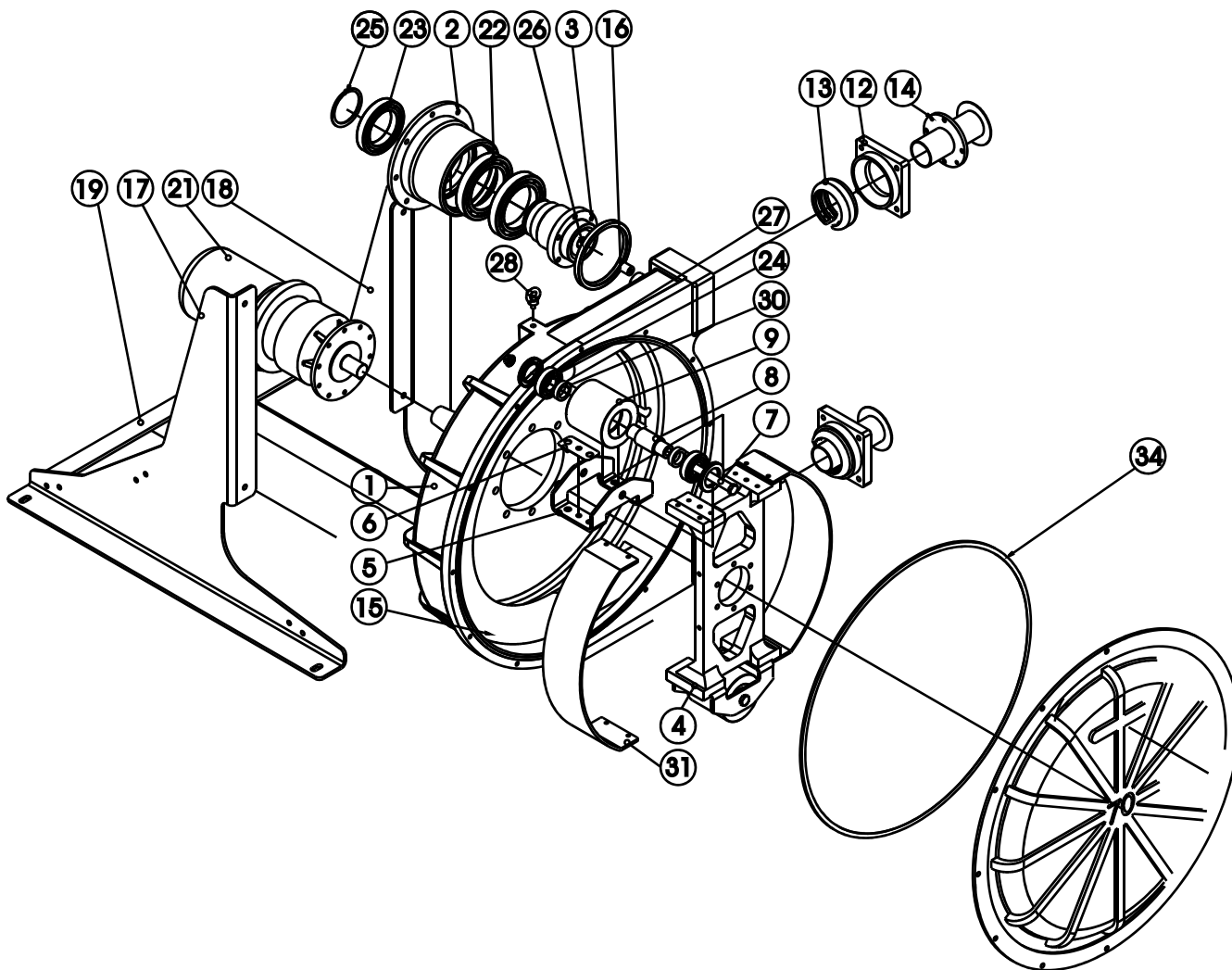




Industrial Peristaltic Pumps

FMP-70 Spare parts



POS.	DENOMINACIÓN	Nº	CÓDIGO
1	Pump body	1	112.00.01
2	Ball bearing box	1	111.00.03
3	Rotor shaft	1	111.00.04
4	Rotor	1	112.00.02
5	Roller support	2	112.00.03
6	Shim		112.00.04
7	Shaft screw	2	112.00.05
8	Roller shaft	2	112.00.06
9	Roller	2	112.00.07
10	Front cover	1	112.00.08
12	Press flange	2	112.00.09
13	Press ring	2	112.00.10
14	Connection DIN flange S.S.	2	112.00.11
	Connection ANSI flange S.S.	2	112.00.12
	Connection DIN 11851 NW-65	2	112.00.13
	Connection DIN flange PP	2	112.00.14
	Connection ANSI flange PP	2	112.00.15
	Connection DIN flange PVDF	2	112.00.16
	Connection ANSI flange PVDF	2	112.00.17
	Connection TRI-CLAMP	2	112.00.43
	15	Peristaltic hose NR	1
Peristaltic hose NR-A		1	112.00.19
Peristaltic hose NBR		1	112.00.20
Peristaltic hose NBR-A		1	112.00.21
Peristaltic hose EPDM		1	112.00.22
Peristaltic hose HYPALON		1	112.00.23
16	Shaft cap	1	111.00.08
17	Base left	1	112.00.24
	Base left S.S.		112.00.36
18	Base right	1	112.00.25
	Base right S.S.	1	112.00.37
19	Base middle	2	112.00.26
	Base middle S.S.	2	112.00.38
20	Stud	2	112.00.44
21	Driver	1	
22	Ball bearing anterior	2	111.00.28
23	Ball bearing posterior	1	111.00.29
24	Ball bearing roller	4	112.00.27
25	Ring for shaft	1	111.00.30
26	Lip seal box	1	111.00.31
27	Lip seal roller	4	112.00.28
28	Eye bolt	1	112.00.29
29	Drain plug FMP-50	3	112.00.30
30	Roller ferrule	2	112.00.31
31	Lateral rotor	2	112.00.32
32	Inspection window (fixed model)	1	112.00.33
33	Inspection window (movil model)	1	112.00.34
34	O-ring front cover	1	112.00.35