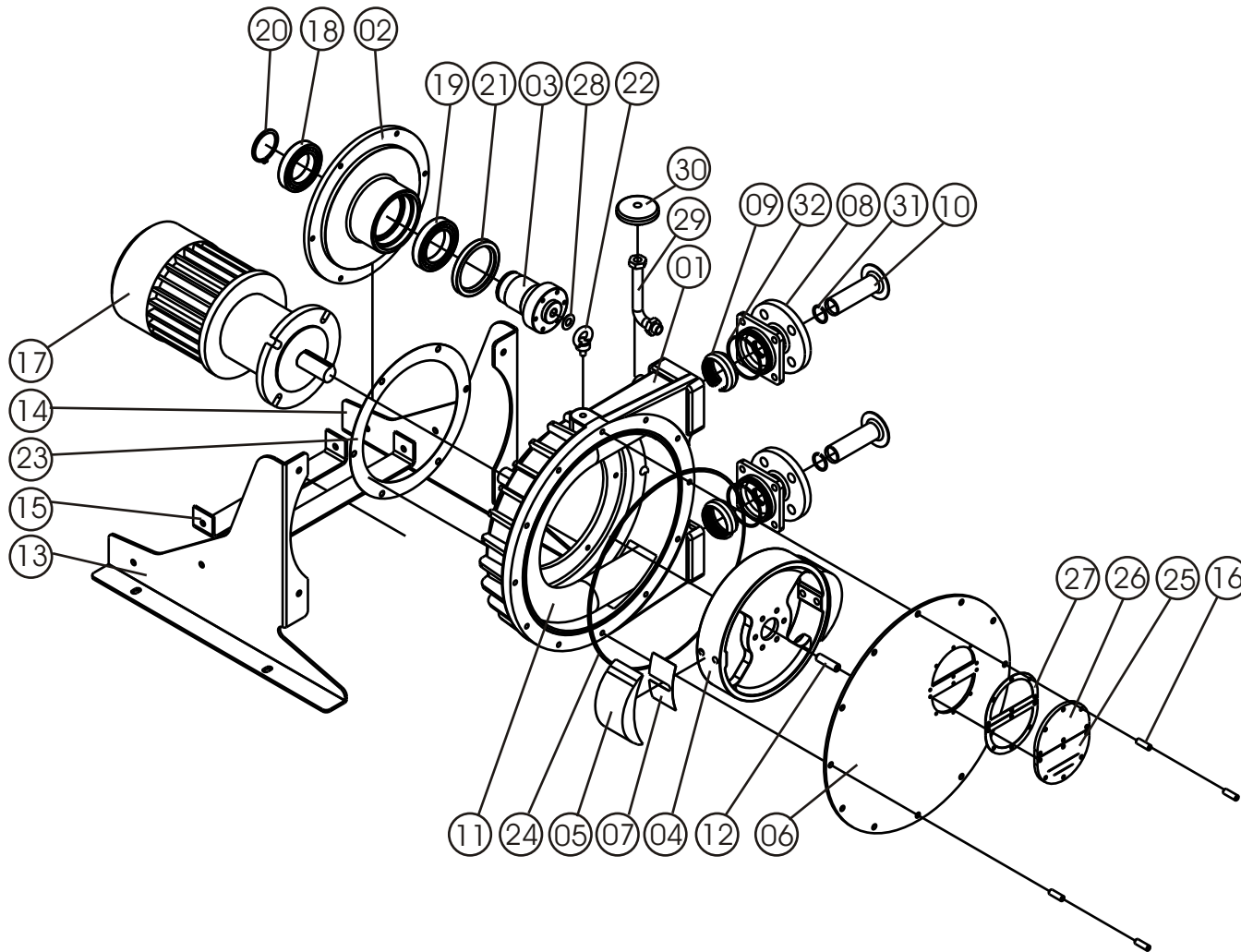




Industrial Peristaltic Pumps

RBT-32B Spare parts



POS.	DESCRIPTION	Q	CODE
1	Pump body	1	104.01.01
2	Ball bearing box	1	104.01.03
3	Rotor shaft	1	104.01.14
4	Rotor	1	104.01.16
5	Shoe	2	104.01.17
6	Front cover	1	104.00.07
7	Shim		104.01.13
8	Press flange	2	104.00.06
	Press flange ANSI	2	104.00.40
9	Press ring	2	104.00.05
10	Insert SS	2	104.00.04
	Insert Polypropylene	2	104.00.15
	Insert PVDF	2	104.00.34
11	Peristaltic hose NR	1	104.01.08
	Peristaltic hose NBR	1	104.01.09
	Peristaltic hose EPDM	1	104.01.10
	Peristaltic hose NR-A	1	104.01.11
	Peristaltic hose NBR-A	1	104.01.12
12	Shaft cap	1	104.01.23
13	Base left	1	106.00.24
14	Base right	1	106.00.25
15	Base middle	2	106.00.26
16	Stud	2	106.00.27
17	Driver	1	
18	Ball bearing anterior	1	106.00.28
19	Ball bearing posterior	1	106.00.29
20	Ring for shaft	1	106.00.31
21	Lip seal box	1	106.00.32
22	Eye bolt	1	106.00.40
23	Gasket box	1	104.00.33
24	O-Ring front cover	1	104.00.17
25	Inspection window with level	1	104.00.36
26	Inspection window	1	104.00.35
27	Gasket inspection window	2	104.00.37
28	Gasket shaft cap	1	104.00.38
29	Air breather tube	1	104.00.41
30	Air breather cap	1	104.00.42
31	O-Ring insert	2	104.00.19
32	O-Ring flange	2	104.00.18
33	Drain plug RBT	2	100.00.44