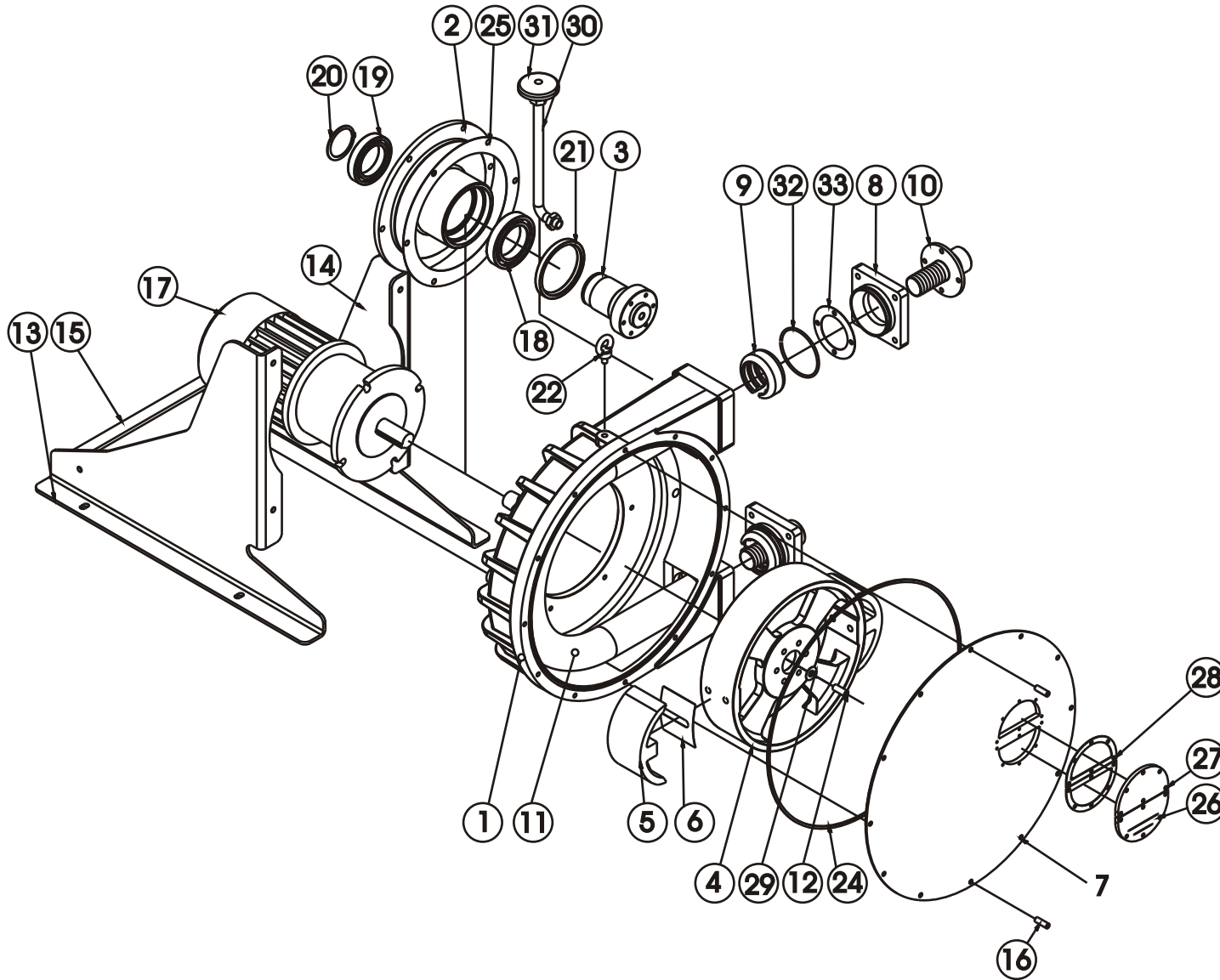




Industrial Peristaltic Pumps

RBT-40 Spare parts



ITEM	NAME	Q	CODE
1	Pump body	1	109.00.01
2	Ball bearing box	1	108.00.02
3	Rotor shaft	1	108.00.03
4	Rotor	1	109.00.02
5	Shoe	2	109.00.03
6	Shim		109.00.04
7	Cover	1	109.00.05
8	Press flange	2	109.00.06
9	Press ring	2	108.00.12
10	Connection flange DN40 S.S.	2	108.00.13
	Connection ANSI flange DN-40 SS	2	108.00.14
	Connection flange DN40 PP	2	108.00.16
	Connection ANSI flange DN-40 PP	2	108.00.17
	Connection flange DN40 PVDF	2	108.00.18
	Connection ANSI flange DN40 PVDF	2	108.00.19
	Connection DIN 11851 NW-40	2	108.00.15
	Connection TRI-CLAMP	2	
11	Peristaltic hose NR	1	109.00.07
	Peristaltic hose NR-A	1	109.00.08
	Peristaltic hose NBR	1	109.00.09
	Peristaltic hose NBR-A	1	109.00.10
	Peristaltic hose EPDM	1	109.00.11
	Peristaltic hose HYPALON	1	109.00.12
12	Shaft cap	1	
13	Base left	1	108.00.26
	Base left S.S.	1	108.00.36
14	Base right	1	108.00.27
	Base right S.S.	1	108.00.37
15	Base middle	2	108.00.28
	Base middle S.S.	2	108.00.38
16	Stud	2	106.00.27
17	Driver	1	
18	Ball bearing anterior	1	108.00.29
19	Ball bearing posterior	1	108.00.30
20	Ring for shaft	1	108.00.32
21	Lip seal box	1	108.00.33
22	Eye bolt	1	
23	Drain plug	2	
24	O-Ring front cover	1	108.00.35
25	Gasket box	1	109.00.14
26	Inspection window with level	1	104.00.36
27	Inspection window	1	104.00.35
28	Gasket inspection window	2	104.00.37
29	Gasket shaft cap	1	109.00.15
30	Air breather tube	1	109.00.16
31	Air breather cap	1	109.00.17
32	O-Ring flange	2	109.00.18
33	Gasket connection	2	109.00.19