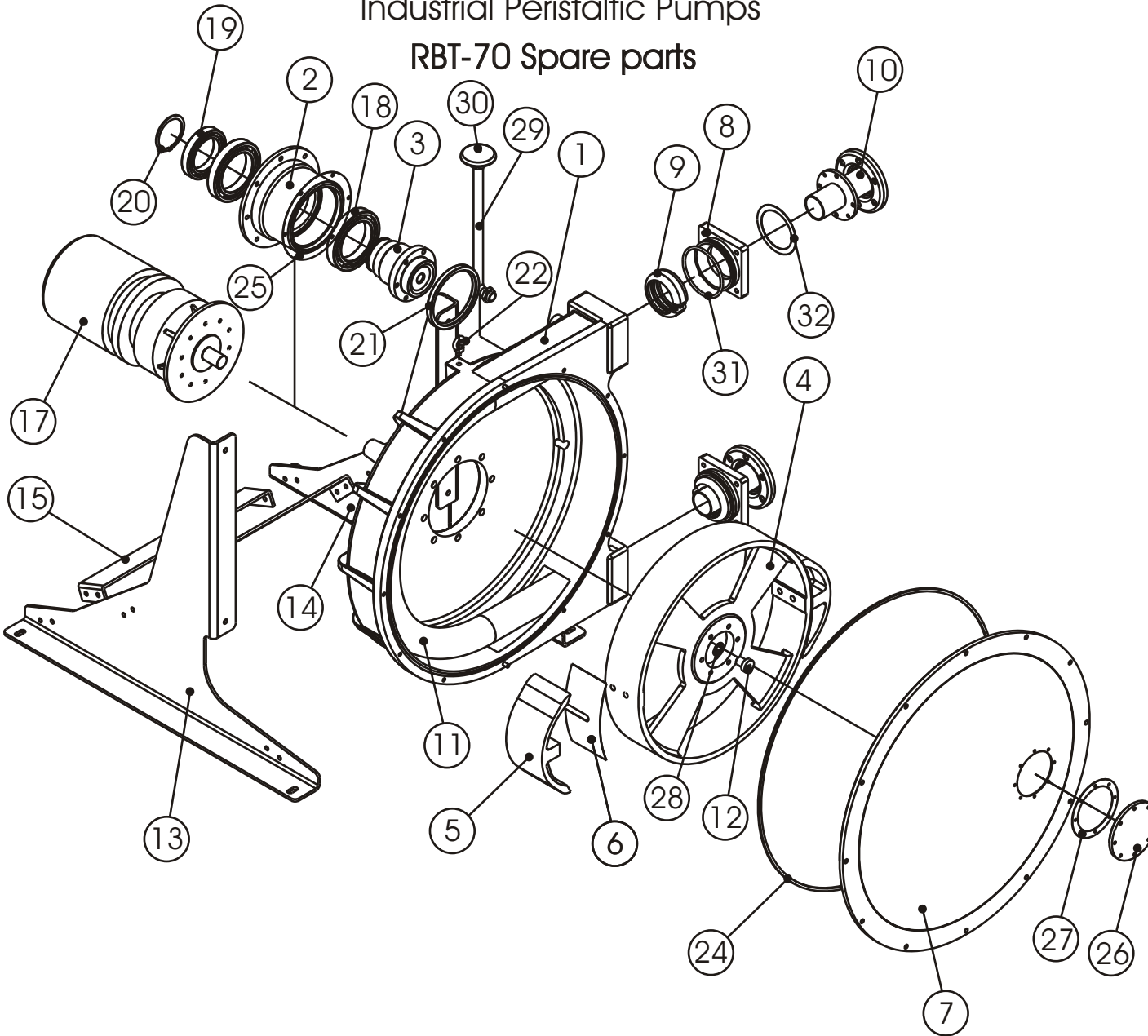


boyser®

Industrial Peristaltic Pumps

RBT-70 Spare parts



ITEM	DESCRIPTION	Q	CODE
1	Pump body	1	112.00.01
2	Ball bearing box	1	111.00.03
3	Rotor shaft	1	111.00.04
4	Rotor	1	114.00.01
5	Shoe	2	114.00.02
6	Shim		114.00.03
7	Front cover	1	114.00.04
8	Press flange	2	114.00.05
9	Press ring	2	112.00.10
10	Connection flange DIN DN-65 INOX	2	112.00.11
	Connection flange ANSI DN-65 INOX	2	112.00.12
	Connection flange DIN DN-65 PP	2	112.00.14
	Connection flange ANSI DN-65 PP	2	112.00.15
	Connection flange DIN DN-65 PVDF	2	112.00.16
	Connection flange ANSI DN-65 PVDF	2	112.00.17
	Connection DIN 11851 NW-65	2	112.00.13
	Connection TRI-CLAMP	2	112.00.43
11	Peristaltic hose NR	1	114.00.18
	Peristaltic hose NBR	1	114.00.19
	Peristaltic hose NBR-A	1	114.00.20
	Peristaltic hose EPDM	1	114.00.21
	Peristaltic hose HYPALON	1	114.00.22
12	Shaft cap	1	111.00.08
13	Base left	1	112.00.24
	Base left S.S.	1	112.00.36
14	Base right	1	112.00.25
	Base right S.S.	1	112.00.37
15	Base middle	3	112.00.26
	Base middle S.S.	3	112.00.38
16	Stud	2	112.00.44
17	Driver	1	
18	Ball bearing anterior	2	111.00.28
19	Ball bearing posterior	1	111.00.29
20	Ring elastic for shaft	1	111.00.30
21	Lip seal box	1	111.00.31
22	Eye bolt	1	112.00.29
23	Drain plug	2	114.00.06
24	O-ring front cover	1	112.00.35
25	Gasket ball bearing box	1	111.00.45
26	Inspection window	1	114.00.11
27	Gasket inspection window	1	114.00.12
28	Gasket shaft	1	111.00.44
29	Air breather tube	1	114.00.07
30	Air breather cap	1	114.00.08
31	O-ring flange	2	114.00.09
32	O-ring connection	2	114.00.10