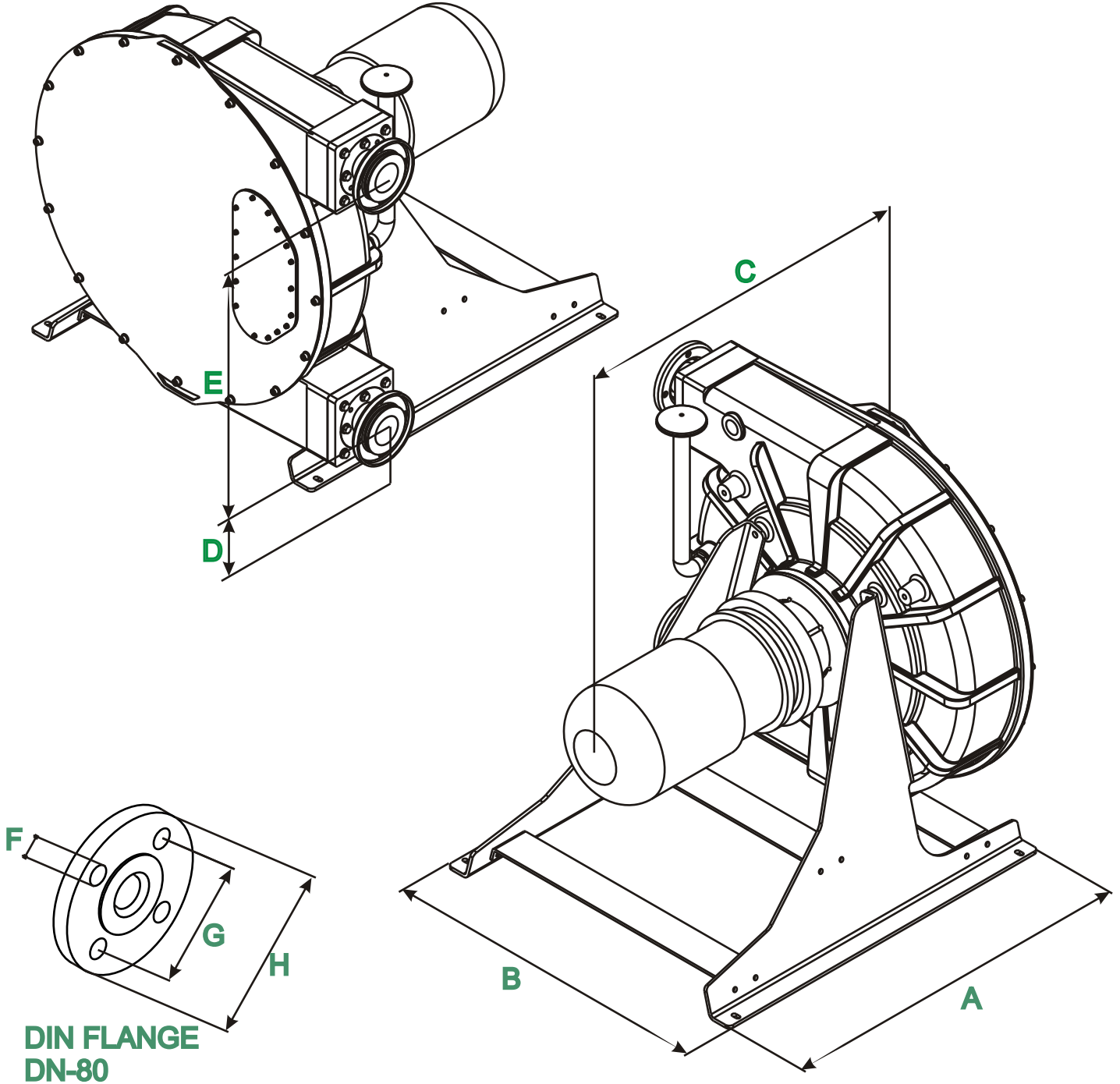


Industrial Peristaltic Pumps

RBT-80 Model



**DIN FLANGE
DN-80**

| A | B | C | D | E | F | G | H |
|------|------|--------|-----|-----|------|-----|-----|
| 1200 | 1093 | 1150 * | 205 | 850 | 17,5 | 160 | 200 |

* To confirm according type and power driver.