

**I Application**

For the winemaking industry.  
 Maintenance of solids in suspension.  
 Coupage (wine blending).  
 Gasification (SO<sub>2</sub> or CO<sub>2</sub> ).  
 Temperature homogenisation.

**I Operating principle**

The design of the agitator is based on the shaft that slides through a full bore valve into the tank and a propeller that opens automatically when started. The agitator shaft is provided with a C/St.St./EPDM mechanical seal.

**I Design and features**

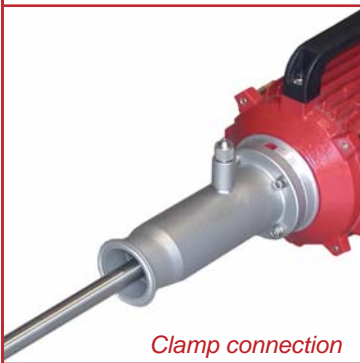
The CPG wine agitators are designed for installation in tanks full of product by means of a full bore valve without losing product and without special tools.  
 The standard mixing element is folding propeller type 12.  
 Electric motor 3 ph, 400 V. Δ, 50 Hz, IP 55, 1450 rpm.  
 Manual deaeration valve.  
 Standard connections DIN 11851.

**I Materials**

Parts in contact with the product	AISI 304
Gaskets	FPM
Mechanical seal	C/St.St./EPDM
Surface finish	Blasted

**I Options**

Stainless steel trolley.  
 Valve for product injection, drainage or sampling.  
 Mechanical seal SiC/SiC/FPM.  
 Female connection to the motor.  
 Control panel and protection in compliance with the EC standards.  
 Special shaft length.  
 Connections: FIL ISO 2853, SMS, Clamp ISO 2852, RJT BS-1864, Garolla.



Clamp connection

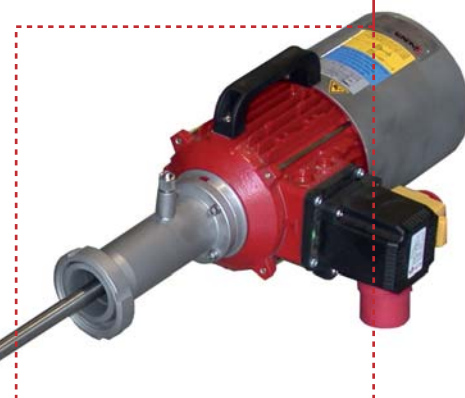


Folding propeller

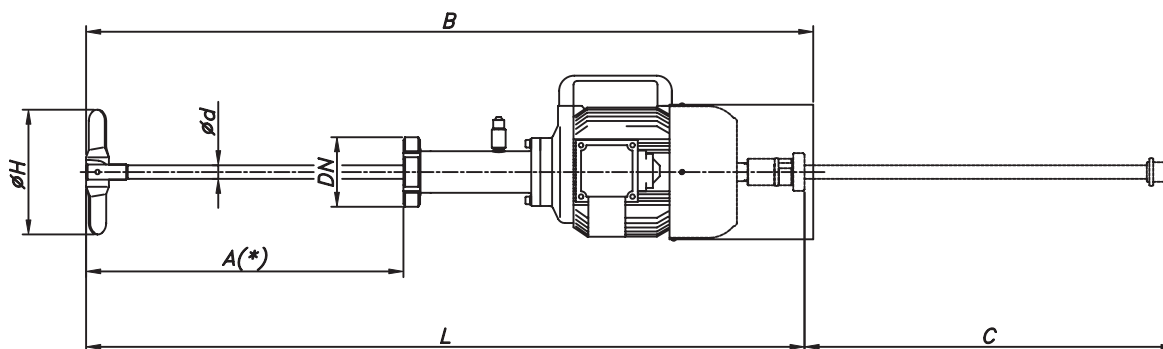


**I Technical specification**

AGITATOR TYPE	Power	Speed	Tank volume
	[kW]	[rpm]	[m <sup>3</sup> ]
<b>CPG-211A</b>	1,1	1450	20
<b>CPG-211B</b>	1,1	1450	25-50
<b>CPG-330</b>	3	1450	50-100



**I General dimensions**



AGITATOR TYPE	Dimensions				Agitator shaft			Type	Weight	Codes
								12		
	A	B	C	Ø DN	Ø d	L	Ø H	[kg]		
<b>CPG-211A</b>	425	960	495	50 - 2"	18	950	155	17	A7001-034011155	
<b>CPG-211B</b>	425	960	495	50 - 2"	18	950	165	17	A7002-034011165	
<b>CPG-330</b>	465	1175	580	65 - 3"	25	1145	200	40	A7003-034030200	

(\*) Maximum length for models CPG-211A and CPG-211B is 650 mm and 700 mm for CPG-330.



The information contained in this brochure is for guidance only. We reserve the right to modify any material or feature without notice in advance. For further information, please, consult our web site.

[www.inoxpa.com](http://www.inoxpa.com)

