



I Applications

The NBI series agitators are medium speed vertical agitators with geared motor. These agitators can be used in processes of mixing, dissolution, dispersion, and maintenance whenever a medium or mild agitation of medium or low viscosity products is required in the food processing, cosmetics, pharmaceutical or chemical industries.

I Operating principle

The agitators are normally installed inside the tank either centrally with current deflectors, or offset so that the offsetting itself prevents the rotation of the stirred product. The rotation of the propeller makes the fluid flow to the bottom and then up to the surface of the product along the walls of the tank. The effect is promoted if the bottom of the tank is curved.

I Design and features

Vertical agitator.

Sealing: V-ring.

Propeller attached to shaft and the shaft attached to the geared motor by Allen studbolts.

Helical gearbox with reinforced bearings.

Motors: IP 55, F-class insulation.

Max. power 1,5 kW.

Marine propeller (Type 10).

I Materials

Parts in contact with the product	AISI 316L
V-ring	NBR
Surface finish	$Ra \leq 0,8 \mu m$

I Options

V-ring: FPM.

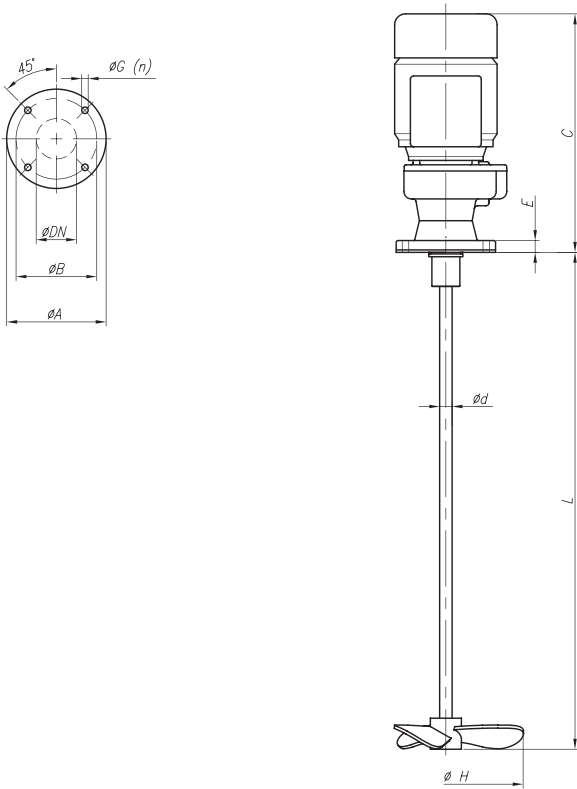
Welded propeller with $Ra \leq 0,5 \mu m$ surface finish.

Shaft and propeller lined with plastic material for use with corrosive products.

Drive shroud.



I Technical specifications and dimensions



Agitator type	Motor power [kW]	Speed [rpm]	Dimensions						Agitator shaft		Type
			C	E	Flange				Ød	Lmax.	10
					ØA	ØB	ØDN	ØG(n)			Marine propeller
											ØH
NBI 1.10-4055-1-175	0,55	rpm to be determined in accordance with the absorbed power	405	19	160	130	65	10,5 (4)	20	1400	175
NBI 1.10-4055-1-200											200
NBI 1.10-4055-1-250											250
NBI 1.10-4055-1-300											300
NBI 1.10-4075-1-200											200
NBI 1.10-4075-1-250	0,75									250	
NBI 1.10-4075-1-300										300	
NBI 1.10-4110-1-250										250	
NBI 1.10-4110-1-300	1,1									300	
NBI 1.10-4110-1-350										350	
NBI 1.10-4150-1-250	1,5		445								250
NBI 1.10-4150-1-300											300
NBI 1.10-4150-1-350											350



The information contained in this brochure is for guidance only. We reserve the right to modify any material or feature without notice in advance. For further information, please, consult our web site. www.inoxpa.com

